
Subject: Multiple_EDS_Connection_wizard_insight_needed

Posted by [Dimitrios](#) on Thu, 22 Dec 2005 10:15:13 GMT

[View Forum Message](#) <> [Reply to Message](#)

s completely and totally beyond me. You want audio? Install XP, it works
>>great. You want every last drop of *nix scrumptiousness on planet earth
>with
>>the same hardware? www.debian.org and you won't owe Cupertino one thin
dime.
>>
>>
>>Come on in! The water's fine! Once you get used to being out of Big Brother's
>>reach you'll love it!
>>
>>TCB
>>
>>"James McCloskey" <excelsm@hotmail.c

Subject: Re: Multiple_EDS_Connection_wizard_insight_needed

Posted by [Rod Lincoln](#) on Thu, 22 Dec 2005 15:39:50 GMT

[View Forum Message](#) <> [Reply to Message](#)

rote:

>>
>>>Hi,
>>>Merry Christmas to all of you although a little bit early...
>>>Regarding the intrconnection of 4 cards .
>>>I connected from like in the manual from first card (slot1) to the last
>>
>>one
>>
>>>(slot 5)
>>>I detect though that card 1 (slot1) is identified as card B, card 4 (slot
>>>5) is identified as card A (main card)
>>>So due to someone's last post here should I connect as Paris sees the cards
>>>or as I see them inside my computer?
>>>Paris works ok but maybe I am risking or could have more stable setup (nothing
>>>major though)
>>>Regards,
>>>Dimitrios
>>
>This is a multi-part message in MIME format.

-----=_NextPart_000_0069_01C606E5.D8824010

Content-Type: text/plain;

charset="iso-8859

Subject: Re: Multiple_EDS_Connection_wizard_insight_needed

Posted by [EK Sound](#) on Thu, 22 Dec 2005 15:49:23 GMT

[View Forum Message](#) <> [Reply to Message](#)

t;>1 card in pc = card B in Paris

>>>2 card in pc = card C in Paris

>>>3 card in pc = card D in Paris

>>>4 card in pc = card A in Paris

>>>

>>>Can you somehow describe how you would interconnect them ?

>>>If I have connected them "wrongly" why does Paris work ?

>>>

>>>Regards,

>>>Dimitrios

>>>

>>>"Rod Lincoln" <rlincoln@nospam.kc.rr.com> wrote:

>>>

>>>

>>>>Hook the up as Paris sees them. If I'm understanding you correctly, however,

>>>>it will be the same hookup , assuming cards C and D are in order below

>

> B,

>

>>>>with A on the Bottom.

>>>>Rod

>>>>

>>>>

>>>>

>>>>"Dimitrios" <musurgio@otenet.gr> wrote:

>>>>

>>>>

>>>>>Hi,

>>>>>Merry Christmas to all of you although a little bit early...

>>>>>Regarding the intrconnection of 4 cards .

>>>>>I connected from like in the manual from first card (slot1) to the last

>>>>>

>>>>>one

>>>>>

>>>>>

>>>>>(slot 5)

>>>>>I detect though that card 1 (slot1) is identified as card B, card 4 (slot

>>>>>5) is identified as card A (main card)

>>>>>So due to someone's last post here should I connect as Paris sees the

>

> cards

>

>>>>>or as I see them inside my computer?

>>>>>Paris works ok but maybe I am risking or could have more stable setup

>

> (nothing
>
>>>>>major though)
>>>>>Regards,
>>>>>Dimitrios
>>>>

Subject: Re: Multiple_EDS_Connection_wizard_insight_needed
Posted by [EK Sound](#) on Thu, 22 Dec 2005 16:05:05 GMT
[View Forum Message](#) <> [Reply to Message](#)

inside PC is recognized as card B, second as card
C, third as card D and fourth as card A...

Thanks

Dimitrios

"Rod Lincoln" <rlincoln@nospam.kc.rr.com> wrote:

>
>As far as the 16 pin cables go, hooking the output of A to the input of
B,
>and so on, completing the loop by hooking the output of D to the input of
>A, it will be the exact same hookup.
>Draw a diagram and you will see.
>As far as the 10 pin cables are concerned, it would be different. (I forgot
>about those). All I can say is try it the other way and see if it works.
>Rod

>
>"Dimitrios" <musurgio@otenet.gr> wrote:

>>
>>Dear Rod,
>>Thanks for replying.
>>Paris sees the card as follows assuming we see the cards inside PC naming
>>1 the one that is close to agp card and 4 the furthest away.
>>1 card in pc = card B in Paris
>>2 card in pc = card C in Paris
>>3 card in pc = card D in Paris
>>4 card in pc = card A in Paris

>>
>>Can you somehow describe how you would interconnect them ?
>>If I have connected them "wrongly" why does Paris work ?

>>
>>Regards,
>>Dimitrios

>>
>>"Rod Lincoln" <rlincoln@nospam.kc.rr.com> wrote:

>>>
>>>Hook the up as Paris sees them. If I'm understanding you correctly, however,
>>>it will be the same hookup , assuming cards C and D are in order below

>B,
>>>with A on the Bottom.
>>>Rod
>>>
>>>
>>>
>>>"Dimitrios" <musurgio@otenet.gr> wrote:
>>>>
>>>>Hi,
>>>>Merry Christmas to all of you although a little bit early...
>>>>Regarding the intrconnection of 4 cards .
>>>>I connected from like in the manual from first card (slot1) to the last
>>>>one
>>>>(slot 5)
>>>>I detect though that card 1 (slot1) is identified as card B, card 4 (slot
>>>>5) is identified as card A (main card)
>>>>So due to someone's last post here should I connect as Paris sees the
>cards
>>>>or as I see them inside my computer?
>>>>Paris works ok but maybe I am risking or could have more stable setup
>(nothing
>>>>major though)
>>>>Regards,
>>>>Dimitrios
>>>
>>
>"David Posey" <crosscreekrecording@hotmail.com> wrote:
>
>I had done a search looking for a desesser plugin but have come up with
nothing.
>Any help would appreciated.
>David P

Try Spitfish from Digitalfishphones.com... it's great and it's a freebie. If you want to spend a little \$, then you might want to consider Voxengo's Voxformer:

<http://www.voxengo.com/product/voxformer/>

The de-esser on that one is most excellent, IMO, and plus the plugin serves a few other functions, as well. They do have a demo you can try, too.

NeilMorgan <morganp@ntplx.net> wrote:
>Hi James,
>Our Buddy Pete Leoni figured this one out long
>ago -

Subject: Re: Multiple_EDS_Connection_wizard_insight_needed

Posted by [Dimitrios](#) on Thu, 22 Dec 2005 16:11:30 GMT

[View Forum Message](#) <> [Reply to Message](#)

oundNO.com" target="_blank">spamnot.info@eksoundNO.com> wrote:

>Hey Dimitrios,

>

>It doesn't matter how the computer sees them... hang you MEC's off of

>A and D (assuming you only have two interfaces) and you should be good

>to go.

>

>David.

>

>Dimitrios wrote:

>> Dear Rod,

>> Thanks for replying.

>> Paris sees the card as follows assuming we see the cards inside PC naming

>> 1 the one that is close to agp card and 4 the furthest away.

>> 1 card in pc = card B in Paris

>> 2 card in pc = card C in Paris

>> 3 card in pc = card D in Paris

>> 4 card in pc = card A in Paris

>>

>> Can you somehow describe how you would interconnect them ?

>> If I have connected them "wrongly" why does Paris work ?

>>

>> Regards,

>> Dimitrios

>>

>> "Rod Lincoln" <rlincoln@nospam.kc.rr.com> wrote:

>>

>>>Hook the up as Paris sees them. If I'm understanding you correctly, however,

>>>it will be the same hookup , assuming cards C and D are in order below

B,

>>>with A on the Bottom.

>>>Rod

>>>

>>>

>>>

>>>"Dimitrios" <musurgio@otenet.gr> wrote:

>>>

>>>>Hi,

>>>>Merry Christmas to all of you although a little bit early...

>>>>Regarding the int

Subject: Re: Multiple_EDS_Connection_wizard_insight_needed

Posted by [Dimitrios](#) on Thu, 22 Dec 2005 16:55:54 GMT

```
/>
><!DOCTYPE HTML PUBLIC "-//W3C//DTD HTML 4.0 Transitional//EN">
><HTML><HEAD>
><META http-equiv=3DContent-Type content=3D"text/html; =
> charset=3Diso-8859-1">
><META content=3D"MSHTML 6.00.2800.1400" name=3DGENERATOR>
><STYLE></STYLE>
></HEAD>
><BODY bgColor=3D#ffffff>
><DIV><FONT face=3DArial size=3D2>Brian suggested the Db and I agree that
=
>it is worth=20
>the money.</FONT></DIV>
><DIV><FONT face=3DArial size=3D2>Tom</FONT></DIV>
><BLOCKQUOTE=20
> style=3D"PADDING-RIGHT: 0px; PADDING-LEFT: 5px; MARGIN-LEFT: 5px; =
> BORDER-LEFT: #000000 2px solid; MARGIN-RIGHT: 0px">
> <DIV>"cujo" <<A=20
> =
> href=3D"mailto:chris@nospamapplemanstudio.com">chris@nospamapplemanstudio=
> .com</A>>=20
> wrote in message <A=20
> =
> href=3D"news:43aabed8$1@linux">news:43aabed8$1@linux</A>...</DIV><BR><BR>=
> I think=20
> there is a good one here<BR><A=20
> =
> href=3D"http://www.db-audioware.com/">http://www.db-audioware.com/</A><BR=
>><BR>"David=20
> Posey" <<A=20
> =
> href=3D"mailto:crosscreekrecording@hotmail.com">crosscreekrecording@hotma=
> il.com</A>>=20
> wrote:<BR>><BR>>I had done a search looking for a desesser =
> plugin but=20
> have come up with<BR>nothing.<BR>>Any help would =
> appreciated.<BR>>David=20
>P</BLOCKQUOTE></BODY></HTML>
```

```
>
>Thanks,
What I need to clarify is which is card A , B, C and D ?
The ones that Paris sees as A B C D so to connect as Rod describes (A to
B , B to C , C to D...) OR as they are inserted in PCI slots ??? first (to
the AGP card) is A, second is B,etc.
The other way around (as Paris sees which are A,B<C,D) would make a spaghetti
interconnection.
That is because first card
```

Subject: Re: Multiple_EDS_Connection_wizard_insight_needed

Posted by [Rod Lincoln](#) on Thu, 22 Dec 2005 17:10:43 GMT

[View Forum Message](#) <> [Reply to Message](#)

his 3 gig Celeron running OSX totally spanked

>a dual G5 in a HUGE way !!

>

>Morgan

>

Hey Morgan! I think I smell some B.S. I'm having a hard time believing a Celeron could beat a G5, maybe an early 1.6 single processor with the slower bus speed???, but I doubt it. I don't think Virginia Tech would have built the 4th fastest super computer on the planet with G5s if G5 were slow. Why don't you get the guy to post here. I think it would be interesting to hear about his findings.

James

>

>James McCloskey wrote:

>> FYI, some interesting info about Mac OSX running on a PC.

>>

>> http://www.wired.com/news/mac/0,2125,68501,00.html?tw=wn_story_related

>>

>> <http://osx86project.org/>

>So Thad, are you saying you don't care for Apple, OSX and the mac in general ? You're being so vague. ;>)

I'll start my twelve step program right now, but I'm not guaranteeing anything!

Hi, my name is Tony and I use a Mac.

;>)

Tony

"TCB" <nobody@ishere.com> wrote in message news:43aab7b1\$1@linux...

>

> This is a bit cryptic to me, but if Debian/Gnome is bad sex and

> man'n'cheese

> then OS X is erectile dysfunction and cold noodle soup.

>

> TCB

>

> "DC" <dc@spambillgates.org> wrote:

>>
>>Sheesh, yeah, you can get used to bad sex and mac n' cheese for
>>dinner too...
>>
>>heh
>>
>>
>>
>>"TCB" <nobody@ishere.com> wrote:
>>>
>>>Why on earth anyone would want a proprietary, bloated *nix on X86
>>>processors
>>>is completely and totally beyond me. You want audio? Install XP, it works
>>>great. You want every last drop of *nix scrumptiousness on planet eart

Subject: Re: Multiple_EDS_Connection_wizard_insight_needed
Posted by [Dimitrios](#) on Thu, 22 Dec 2005 17:27:59 GMT
[View Forum Message](#) <> [Reply to Message](#)

connected them "wrongly" why does Paris work ?
>>>
>>>Regards,
>>>Dimitrios
>>>
>>>"Rod Lincoln" <rlincoln@nospam.kc.rr.com> wrote:
>>>>
>>>>Hook the up as Paris sees them. If I'm understanding you correctly, however,
>>>>it will be the same hookup , assuming cards C and D are in order below
>>B,
>>>>with A on the Bottom.
>>>>Rod
>>>>
>>>>
>>>>
>>>>"Dimitrios" <musurgio@otenet.gr> wrote:
>>>>>
>>>>>Hi,
>>>>>Merry Christmas to all of you although a little bit early...
>>>>>Regarding the intrconnection of 4 cards .
>>>>>I connected from like in the manual from first card (slot1) to the last
>>>>>one
>>>>>(slot 5)
>>>>>I detect though that card 1 (slot1) is identified as card B, card 4
(slot
>>>>>5) is identified as card A (main card)
>>>>>So due to someone's last post here should I connect as Paris sees the
>>cards

>>>>> as I see them inside my computer?
>>>>>Paris works ok but maybe I am risking or could have more stable setup
>>(nothing
>>>>>major though)
>>>>>Regards,
>>>>>Dimitrios
>>>>
>>>>
>>>>
>>>>
>>>>
>>>>

---=_linux43aae4f1

Content-Type: image/jpeg; name="C:\Documents and Settings\Owner\My Documents\Music
Tools\paris misc notes\Paris eds connection2.jpg"

Content-Transfer-Encoding: base64

Content-Disposition: attachment; filename="Paris eds connection2.jpg"

```
/9j/4AAQSkZJRgABAQEAYABgAAD/4QEURXhpZgAASUkqAAgAAAAIAA8BAgAD  
AAAASFAAABABAgAQAAAAbgAAABoBBQABAAAAfgAAABsBBQABAAAAhgAAACgB  
AwABAAAAAgAAABMCAwABAAAAAgAAABQCBQAGAAAAjgAAAGmHBAABAAAAvgAA  
AAAAAABIUCBTY2FuSmV0IDM5NzAAyAAAAEAAADIAAAAAQAAAAAAAAABAAAA  
/wAAAAEAAACAAAAAQAAAP8AAAAABAAAAgAAAAEAAAD/AAAAAQAAAAyAAJAH  
AAQAAAAwMjlywAZEHAQAQAABAgMAAKAHAAQAAAAwMTAwAaADAAEAAAAABAAAA  
AqAEAAEAAAABBQAAA6AEAAEAAADLBwAAAAAAP/bAEMACAYGBwYFCACHBwkJ  
CAoMFA0MCwsMGRITDxQdGh8eHRocHCAKLicgliwjHBwoNyksMDE0NDQfJzk9  
ODI8LjM0Mv/bAEMBCQkJDAsMGA0NGDIhHCEyMjlyMjlyMjlyMjlyMjlyMjly  
MjlyMjlyMjlyMjlyMjlyMjlyMjlyMjlyMjlyMjlyMjlyMjlyMjlyMjlyMjlyMjlyMv/AABEIBQEHywMBlgAC  
EQEDEQH/xAAFAAABBQEBAQEBAQAAAAAAAAAAQIDBAUGBwgJCgv/xAC1EAAC  
AQMDAgQDBQUEBAAAAX0BAgMABBEFEiExQQYTUWEHInEUMoGRoQgjQrHBFVLR  
8CQzYnKCCQoWFxgZGiUmJygpKjQ1Njc4OTpDREVGR0hJSINUVVZXWFlaY2RI  
ZmdoaWpzdHV2d3h5eoOEhYaHilmKkpOUiZaXmJmaoqOkpaanqKmqsro0tba3  
uLm6wsPExcbHyMnK0tPU1dbX2Nna4eLj5OXm5+jp6vHy8/T19vf4+fr/xAAf  
AQADAQEBAQEBAQEBAQAAAAAAAAAQIDBAUGBwgJCgv/xAC1EQACAQIEBAMEBwUE  
BAABAncAAQIDEQQFITEGEkFRB2FxEylygQgUQpGhscEJlzNS8BVictEKFiQ0  
4SXxFxgZGiYnKCkqNTY3ODk6Q0RFRkdISUpTVFVWV1hZWmNkZWZnaGlqc3R1  
dnd4eXqCg4SFhoeliYqSk5SVlpeYmZqio6Slpgeoqaqys7S1tre4ubrCw8TF  
xsflycrS09TV1tfY2dri4+TI5ufo6ery8/T19vf4+fr/2gAMAwE
```

Subject: Re: Multiple_EDS_Connection_wizard_insight_needed

Posted by [erlilo](#) on Thu, 22 Dec 2005 17:59:04 GMT

[View Forum Message](#) <> [Reply to Message](#)

>
>>>>>(nothing
>>>>>>>major though)
>>>>>>>Regards,
>>>>>>>Dimitrios

>>>>>
>>>>
>>>>
>>>
>>
>>
>
>
>
>

>This is a multi-part message in MIME format.

-----=_NextPart_000_0047_01C60736.FE805710
Content-Type: text/plain;
 charset="iso-8859-1"
Content-Transfer-Encoding: quoted-printable

The only thing I found here now, is some writings from earlier. If it = will help, I don't know, but here it comes:

-The card assignments do not affect the cabling. The 10 pin is a = straight across connection, and the 16 pin crisscrosses -always. The = last card connects back to the first card, again crossing over the same = as if the cards were next to each --other.

-There is no need to be concerned about how Paris "sees" the order of = the cards. It does not affect the cables.

-Regards,
-Brian T

1) Are the eds cards connected with the criss-cross ribbon cables AND one clock cable inside your computer? Double check the pins. They sometimes are out of line without noticing.

2) BNC connecting MEC A wordclock out to Mec B wordclock in?

3) If 1 and 2 are right, make sure submix B in the Group Master Section is set to Card B not virtual or anything else.

The mix of submix card A and B should be audible at mL & mR as well as ML & MR outs off Submix A Master section in the patchbay.
Hope this helps,
Tom Bruhl

I seems to remember there was something about it in the manual, so I =
looked, so here you go: The card that's nearest the AGP card is allways =
card A, followed by B etc., as far as I can understand from the manual.

Hope this will help and a merry Christmas, Dimitros.

Erling

"Dimitrios" <musurgio@otenet.gr> skrev i melding =
news:43aaf8a8\$1@linux...

>=20

> Thanks Erling,

> My real question though is not how to connect ABC and D but which =
cards are

> ABCD the way Paris sees them or the cards in a row...

> Regards,

> Dimitrios

>=20

> "erlilo" <erlilo@online.no> wrote:

>>Here's some pictures Aaron sent to the group some years ago, about how =
to

> do=20

>>it.

>>

>>Erling

>>

>>"Rod Lincoln" <rlincoln@nospam.kc.rr.com> skrev i melding=20

>>news:43aae4f1\$1@linux...

>>>

>>> D

>>> Here's a diagram. See the 16 pins are the same, no matter which way =
you

>=20

>>> think

>>> about it. The 10 pin WC cables are a little different.

>>> No spaghetti though.

>>> Bottom line...if it works...don't worry about it.

>>> Rod

>>> "Dimitrios" <musurgio@otenet.gr> wrote:

>>>>

>>>>Thanks,

>>>>What I need to clarify is which is card A , B, C and D ?

>>>>The ones that Paris sees as A B C D so to connect as Rod describes =
(A

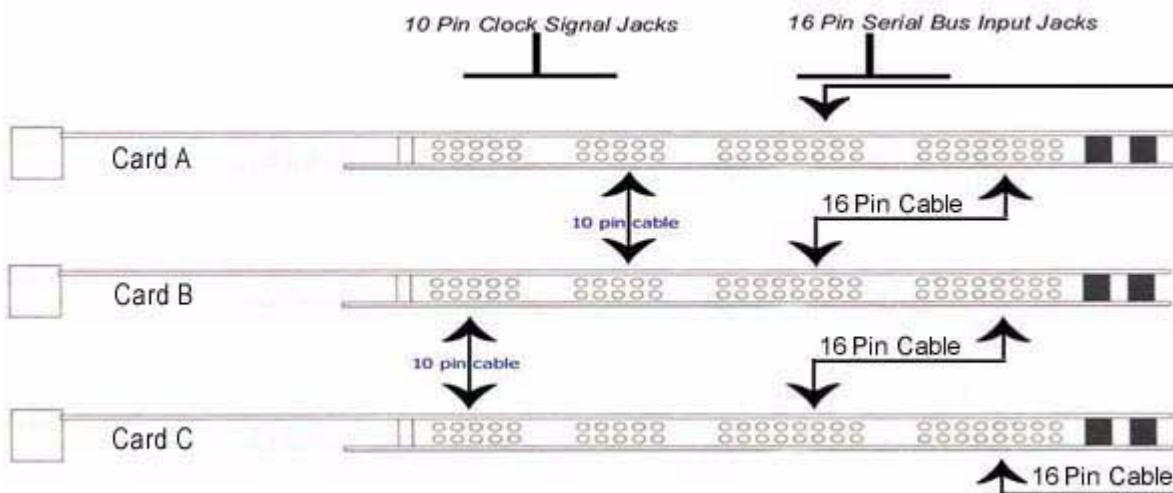
> to

>>>>B , B to C , C to D...) OR as they are inserted in PCI slots ??? = first
 >>> (to
 >>>>the AGP card) is A, second is B,etc.
 >>>>The other way around (as Paris sees which are A,B<C,D) would make a=20
 >>>>spaghetti
 >>>>interconnection.
 >>>>That is because first card inside PC is recognized as card B, second = as
 >>> card
 >>>>C, third as card D and fourth as card A...
 >>>>Thanks
 >>>>Dimitrios
 >>>>"Rod Lincoln" <rlincoln@nospam.kc.rr.com> wrote:
 >>>>>
 >>>>>As far as the 16 pin cables go, hooking the output of A to the = input
 > of
 >>>>B,
 >>>>>and so on, completing the loop by hooking the output of D to the =

File Attachments

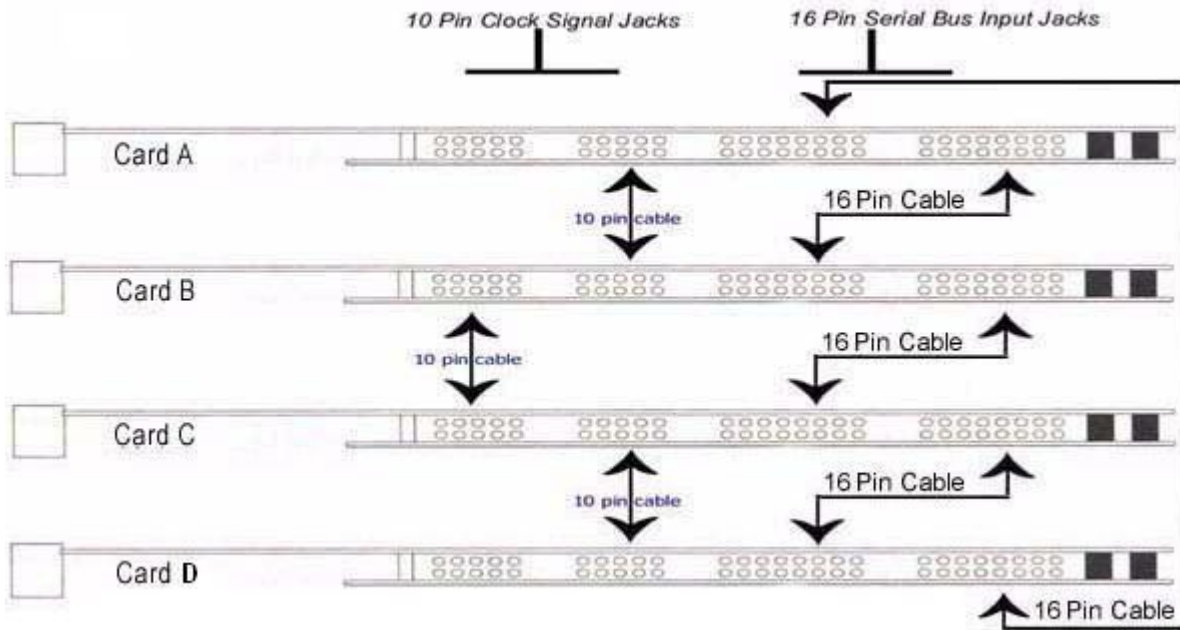
1) [Paris 3 card.jpg](#), downloaded 83 times

3 EDS Connection Setup



2) [Paris 4 card.JPG](#), downloaded 73 times

4 EDS Connection Setup



Subject: Re: Multiple_EDS_Connection_wizard_insight_needed

Posted by [Rod Lincoln](#) on Thu, 22 Dec 2005 18:40:01 GMT

[View Forum Message](#) <> [Reply to Message](#)

```
UUUAFFFFABRRRQAUUUUAFFFFABRR
RQAUUUUAFFFFABRRRQAUUUUAFFFFABRRRQAUUUUAFFFFABRRRQAUUUUAFFFF
ABRRRQAUUUUAFFFFABRRRQAUUUUAFFFFABRRRQAUUUUAFFFFABRRRQAUUUA
FFFFABRRRQAUUUUAFFFFABRRRQAUUUUAFFFFABRRRQAUUUUAFFFFABRRRQA
UUUAFFFFABRRRQAUUUUAFFFFABRRRQAUUUUAFFFFABRRRQAUUUUAFFFFABRR
RQAUUUUAFFFFABRRRQAUUUUAFFFFABRRRQAUUUUAFFFFABRRRQAUUUUAFFFF
ABRRRQAUUUUAFFFFABRRRQAUUUUAFFFFABRRRQAUUUUAFFFFABRRRQAUUUA
FFFFABRRRQAUUUUAFFFFABRRRQAUUUUAFFFFABRRRQAUUUUAFFFFABRRRQA
UUUAFFFFABRRRQAUUUUAFFFFABRRRQAUUUUAFFFFABRRRQAUUUUAFFFFABRR
RQAUUUUAFFFFABRRRQAUUUUAFFFFABRRRQAUUUUAFFFFABRRRQAUUUUAFFFF
ABRRRQAUUUUAFFFFABRRRQAUUUUAFFFFABRRRQAUUUUAFFFFABRRRQAUUUA
FFFFABRRRQAUUUUAFFFFABRRRQAUUUUAFFFFABRRRQAUUUUAFFFFABRRRQA
UUUAFFFFABRRRQAUUUUAFFFFABRRRQAUUUUAFFFFABRRRQAUUUUAFFFFABRR
RQAUUUUAFFFFABRRRQAUUUUAFFFFABRRRQAUUUUAFFFFABRRRQAUUUUAFFFF
ABRRRQAUUUUAFFFFABRRRQAUUUUAFFFFABRRRQAUUUUAFFFFABRRRQAUUUA
FFFFABRRRQAUUUUAFFFFABRRRQAUUUUAFFFFABRRRQAUUUUAFFFFABRRRQA
UUUAFFFFABRRRQAUUUUAFFFFABRRRQAUUUUAFFFFABRRRQAUUUUAFFFFABRR
RQAUUUUAFFFFABRRRQAUUUUAFFFFABRRRQAUUUUAFFFFABRRRQAUUUUAFFFF
```

ABRRRQAUUUUAFFFFABRRRQAUUUUAFFFFABRRRQAUUUUAFFFFABRRRQAUUUUA
FFFFABRRRQAUUUUAFFFFABRRRQAUUUUAFFFFABRRRQAUUUUAFFFFABRRRQAU
UUUAFFFFABRRRQAUUUUAFFFFABRRRQAUUUUAFFFFABRRRQAUUUUAFFFFABRR
RQAUUUUAFFFFABRRRQAUUUUAFFFFABRRRQAUUUUAFFFFABRRRQAUUUUAFFFF
ABRRRQAUUUUAFFFFABRRRQAUUUUAFFFFABRRRQAUUUUAFFFFABRRRQAUUUUA
FFFFABRRRQAUUUUAFFFFABRRRQAUUUUAFFFFABRRRQAUUUUAFFFFABRRRQAU
UUUAFFFFABRRRQAUUUUAFFFFABRRRQAUUUUAFFFFABRRRQAUUUUAFFFFABRR
RQAUUUUAFFFFABRRRQAUUUUAFFFFABRRRQAUUUUAFFFFABRRRQAUUUUAFFFF
ABRRRQAUUUUAFFFFABRRRQAUUUUAFFFFABRRRQAUUUUAFFFFABRRRQAUUUUA
FFFFABRRRQAUUUUAFFFFABRRRQAUUUUAFFFFABRRRQAUUUUAFFFFABRRRQAU
UUUAFFFFABRRRQAUUUUAFFFFABRRRQAUUUUAFFFFABRRRQAUUUUAFFFFABRR
RQAUUUUAFFFFABRRRQAUUUUAFFFFABRRRQAUUUUAFFFFABRRRQAUUUUAFFFF
ABRRRQAUUUUAFFFFABRRRQAUUUUAFFFFABRRRQAUUUUAFFFFABRRRQAUUUUA
FFFFABRRRQAUUUUAFFFFABRRRQAUUUUAFFFFABRRRQAUUUUAFFFFABRRRQAU
UUUAFFFFABRRRQAUUUUAFFFFABRRRQAUUUUAFFFFABRRRQAUUUUAFFFFABRR
RQAUUUUAFFFFABRRRQAUUUUAFFFFABRRRQAUUUUAFFFFABRRRQAUUUUAFFFF
ABRRRQAUUUUAFFFFABRRRQAUUUUAFFFFABRRRQAUUUUAFFFFABRRRQAUUUUA
FFFFABRRRQAUUUUAFFFFABRRRQAUUUUAFFFFABRRRQAUUUUAFFFFABRRRQAU
UUUAFFFFABRRRQAUUUUAFFFFABRRRQAUUUUAFFFFABRRRQAUUUUAFFFFABRR
RQAUUUUAFFFFABRRRQAUUUUAFFFFABRRRQAUUUUAFFFFABRRRQAUUUUAFFFF
ABRRRQAUUUUAFFFFABRRRQAUUUUAFFFFABRRRQAUUUUAFFFFABRRRQAUUUUA
FFFFABRRRQAUUUUAFFFFABRRRQAUUUUAFFFFABRRRQAUUUUAFFFFABRRRQAU
UUUAFFFFABRRRQAUUUUAFFFFABRRRQAUUUUAFFFFABRRRQAUUUUAFFFFABRR
RQAUUUUAFFFFABRRRQAUUUUAFFFFABRRRQAUUUUAFFFFABRRRQAUUUUAFFFF
FFABRRTEdZEV0YMjDKspyCPUUAPooooAKKKKACiiigAooooAKKKKACiiigAo
oooAKKKKACiiigAooooAKKKKACiiigAooooAKKKKACiiigAooooAKKKKACii
igAooooAKKKKACiiigAooooAKKKKACiiigAooooAKKKKACiiigAooooAKKr3
RuBEHtrOh3GNuPMGD8uex6c+1SQyiaFJARLuUHa4wR7EetAEIFFFABRRRQA
UUUUFFFFABRRRQAUUUUAFFFFABRRRQAUUUUAFFFFABRRRQAUUUUAFFFFABR
RRQAUUUUAFFFFABRRRQAUUUUAFFFFABRRRQAUUUUAFFFFABRRRQAUUUUAFFF
FABRRRQAUUUUAFFFFABRRRQAUUUUAFFFFABRRRQAUUUUAFFFFABRRRQAUUUU
AFFFFABRRRQAUUUUAFFFFABRRRQAUUUUAFFFFABRRRQAUUUUAFFFFABRRRQA
UUUUFFFFABRRRQAUUUUAFFFFABRRRQAUUUUAFFFFABRRRQAUUUUAFFFFABR
RRQAUUUUAFFFFABRRRQAUUUUAFFFFABRRRQAUUUUAFFFFABRRRQAUUUUAFFF
FABRRRQAUUUUAFFFFABRRRQAUUUUAFFFFABRRRQAUUUUAFFFFABRRRQAUUUU
AFFFFABRRRQAUUUUAFFFFABRRRQAUUUUAFFFFABRRRQAUUUUAFFFFABRRRQA
UUUUUAJn0rmvBd415p94WLEpdMoz6YU8fnXRucRMR2Bri/hqA+l6nMOrXzKOn
3QikfzpdQ6Hb0UUUwCo0jWPOwEA44ycDAxwOg/CpKKACiiigAooooAKKKKAC
iiigAooooAKKKKACiiigAooooAKKKKACiiigAooooAKKKKACiiigAooooAKK
KKACiiigAooooAKKKKACiiigAqC5me3gaVIZJypGUjxuxkAkZ64GTjqccZNT
0UANVg6hl6EZHAnUUUAFFFFABRRRQAUUUUAFFFFABRRRQAUUUUAFFFFAB0oo
ooAKKKKACiiigAooooAKKKKACiiigAooooAKKKKACiiigAooooAKKKKACiii
gAooooAKKKKACiiigAooooAKKKKACiiigAooooAKKKKACiiigAooooAKKKKA
CiiigAooooAKKKKACiiigAooooAKKKKACiiigAooooAKKKKACiiigAooooAK
KKKACiiigAooooAKKKKACiiigAooooAKKKKACiiigAooooAKKKKACiiigAoo
ooAKKKKACiiigAooooAKKKKACiiigAooooAKKKKACiiigAooooAKKKKACiii
gAooooAKKKKACiiigAooooAKKKKACiiigAooooAKKKKACiiigAooooAKKKKA
CiiigAooooAKKKKACiiigAooooAKKKKACiiigAooooAKKKKACiiigAooooAK
KKKACiiigAooooAKKKKACiiigAooooAKKKKACiiigAooooAKKKKACiiigAoo
KKKACiiigAooooAKKKKACiiigAooooAKKKKACiiigAooooAKKKKACiiigAoo

ooAKKKKACiiigAooooAin/495P8AcP8AKuM+GX/II1L+79vbHTH3E/8ArV2k
3NvIP9g/yrivhicaRqacYF+x6+safpxU9R9DuaKKKoQUUUUAFFFFABRRRQAU
UUUAFFFFABRTRnAycnHOOKdQA3rznHtTqKKACiiigAooooAKKKKACiiigAoo
ooAKKKKACiiigAooooAKKKKACiiigAooooAKKKKACiiigAooooAKKKKACiii
gAooooAKKKKACiiigAooooAKKKKACiiigAooooAKKKKACiiigAooooAKKKKA
CiiigAooooAKKKKACiiigAooooAKKKKACiiigAooooAKKKKACiiigAooooAK
KKKACiiigAooooAKKKKACiiigAooooAKKKKACiiigAooooAKKKKACiiigAoo
ooAKKKKACiiigAooooAKKKKACiiigAooooAKKKKACiiigAooooAKKKKACiii
gAooooAKKKKACiiigAooooAKKKKACiiigAooooAKKKKACiiigAooooAKKKKA
CiiigAooooAKKKKACiiigAooooAKKKKACiiigAooooAKKKKACiiigAooooAK
KKKACiiigAooooAKKKKACiiigAooooAKKKKACiiigAooooAKKKKACiiigAoo
ooAKKKKACiiigAooooAKKKKACiiigAooooAKKKKACiiigAooooAKKKKACiii
gAooooAKKKKACiiigAooooAKKKKACiiigAooooAKKKKACiiigAooooAimO23
kl7IT+lcV8MhnS9Ubjj/ZB8qjACKQMgZP3u5P4V20v8AqHxx8px+VcR8Lx/x
KdUKsdn29gF4IB8tMkHGec+vYcDvPUfQ7uiiqEFFFFABRRRQAUUUUAFFFFA
BRRRQAUUUUAFFFFABRRRQAUUUUAFFFFABRRRQAUUUUAFFFFABRRRQAUUUUA
FFFABRRRQAUUUUAFFFFABRRRQAUUUUAFFFFABRRRQAUUUUAFFFFABRRRQAUU
UUUAFFFFABRRRQAUUUUAFFFFABRRRQAUUUUAFFFFABRRRQAUUUUAFFFFABRRR
QAUUUUAFFFFABRRRQAUUUUAFFFFABRRRQAUUUUAFFFFABRRRQAUUUUAFFFFA
BRRRQAUUUUAFFFFABRRRQAUUUUAFFFFABRRRQAUUUUAFFFFABRRRQAUUUUA
FFFABRRRQAUUUUAFFFFABRRRQAUUUUAFFFFABRRRQAUUUUAFFFFABRRRQAUU
UAFFFFABRRRQAUUUUAFFFFABRRRQAUUUUAFFFFABRRRQAUUUUAFFFFABRRR
QAUUUUAFFFFABRRRQAUUUUAFFFFABRRRQAUUUUAFFFFABRRRQAUUUUAFFFFA
BRRRQAUUUUAFFFFABRRRQAUUUUAFFFFABRRRQAUUUUAFFFFABRRRQAUUUUA
FFFABRRRQAUUUUAFFFFABRRRQAUUUUAFFFFABRRRQAUUUUAFFFFABRRRQAUU
UAFFFFABRRRQAUUUUAFFFFABRRRQAUUUUAQ3R22czDtGxH5Vxfwtz/YWp++
pSf+i467K9/5B9x6eU3T6Vxvwt/5AOpc/wDMRf8A9Fx1PUfQ7qiiiEFFFFA
BRRRQAUUUUAFFFFABRRRQAUUUUAFFFFABRRRQAUUUUAFFFFABRRRQAUUUUA
FFFABRSY4xzS0AFFFFABRRRQAUUUUAFFFFABRRRQAUUUUAFFFFABRRRQAUUU
UAFFFFABRRRQAUUUUAFFFFABRRRQAUUUUAFFFFABRRRQAUUUUAFFFFABRRRQ
AUUUUAFFFFABRRRQAUUUUAFFFFABRRRQAUUUUAFFFFABRRRQAUUUUAFFFFAB
RRRQAUUUUAFFFFABRRRQAUUUUAFFFFABRRRQAUUUUAFFFFABRRRQAUUUUAFF
FFABRRRQAUUUUAFFFFABRRRQAUUUUAFFFFABRRRQAUUUUAFFFFABRRRQAUUU
UAFFFFABRRRQAUUUUAFFFFABRRRQAUUUUAFFFFABRRRQAUUUUAFFFFABRRRQ
AUUUUAFFFFABRRRQAUUUUAFFFFABRRRQAUUUUAFFFFABRRRQAUUUUAFFFFAB
RRRQAUUUUAFFFFABRRRQAUUUUAFFFFABRRRQAUUUUAFFFFABRRRQAUUUUAFF
FFABRRRQAUUUUAFFFFABRRRQAUUUUAFFFFABRRRQAUUUUAFFFFABRRRQAUUU
UAFFFFABRRRQAUUUUAFFFFABRRRQAUUUUAFFFFABRRRQAUUUUAFFFFAFa9Gd
PuB6xN/KuO+FuDoGodP+Qi5yO/7uOuyveLC4x/zyb+Vcb8LT/wASDUT/ANRF
+n/XOOp+0Pod1RRRVCCiiigAooooAKKKKACiiigApgbdnHI7H1p9MRQiBQMK
owO/FAD6KQMCOCd9KWgAooooAKKKKACiiigAooooAKKKKACiiigAooooAKKK
KACiiigAooooAKKKKACiiigAooooAKKKKACiiigAooooAKKKKACiiigAoooo
AKKKKACiiigAooooAKKKKACiiigAooooAKKKKACiiigAooooAKKKKACiiigA
ooooAKKKKACiiigAooooAKKKKACiiigAooooAKKKKACiiigAooooAKKKKACi
iigAooooAKKKKACiiigAooooAKKKKACiiigAooooAKKKKACiiigAooooAKKK
KACiiigAooooAKKKKACiiigAooooAKKKKACiiigAooooAKKKKACiiigAoooo
AKKKKACiiigAooooAKKKKACiiigAooooAKKKKACiiigAooooAKKKKACiiigA
ooooAKKKKACiiigAooooAKKKKACiiigAooooAKKKKACiiigAooooAKKKKACi

iigAooooAKKKKACiiigAooooAKKKKACiiigAooooAKKKKACiiigAooooAKKK
KACiiigAooooAKKKKACiiigAooooAKKKKACiiigAooooAKKKKACiiigAoooo
AKKKKACiiigAooooAKKKKACiiigAooooAKKKKACiiigCtqBxptOf+mT9Poa4
74WD/inr/wB9QkP/Al4ldfDOn3l9Ym6fQ1xvws/5AGo/wDYRk/9AjqftD6H
dUUUVQgooooAKKKKACiiigAooooAKKKKADAZnHNFFFABRRRQAUUUUAFFFFAB
RRRQAUUUUAFFFFABRRRQAUUUUAFFFFABRRRQAUUUUAFFFFABRRRQAUUUUAFF
FFABRRRQAUUUUAFFFFABRRRQAUUUUAFFFFABRRRQAUUUUAFFFFABRRRQAUUU
UAFFFFABRRRQAUUUUAFFFFABRRRQAUUUUAFFFFABRRRQAUUUUAFFFFABRRRQ
AUUUUAFFFFABRRRQAUUUUAFFFFABRRRQAUUUUAFFFFABRRRQAUUUUAFFFFAB
RRRQAUUUUAFFFFABRRRQAUUUUAFFFFABRRRQAUUUUAFFFFABRRRQAUUUUAFF
FFABRRRQAUUUUAFFFFABRRRQAUUUUAFFFFABRRRQAUUUUAFFFFABRRRQAUUU
UAFFFFABRRRQAUUUUAFFFFABRRRQAUUUUAFFFFABRRRQAUUUUAFFFFABRRRQ
AUUUUAFFFFABRRRQAUUUUAFFFFABRRRQAUUUUAFFFFABRRRQAUUUUAFFFFAB
RRRQAUUUUAFFFFABRRRQAUUUUAFFFFABRRRQAUUUUAFFFFABRRRQAUUUUAFF
FFABRRRQAUUUUAFFFFABRRRQAUUUUAFFFFABRRRQAUUUUAFFFFABRRRQAUUU
UAFFFFAFe+ONPuD6RN/KuN+Fg/4py+PHOoSHj/cSuxvx/wAS26HT9y/8jXH/
AAtx/wAl5e9z9vkyR3+RKn7Q+h3NFFFUIKKKACiiigAooooAKKKKACiiigA
ooooAKKKKAEJABJOB60tFFABRRRQAUUUUAFFFFABRRRQAUUUUAFFFFABRRRQ
AUUUUAFFFFABRRRQAUUUUAFFFFABRRRQAUUUUAFFFFABRRRQAUUUUAFFFFAB
RRRQAUUUUAFFFFABRRRQAUUUUAFFFFABRRRQAUUUUAFFFFABRRRQAUUUUAFF
FFABRRRQAUUUUAFFFFABRRRQAUUUUAFFFFABRRRQAUUUUAFFFFABRRRQAUUU
UAFFFFABRRRQAUUUUAFFFFABRRRQAUUUUAFFFFABRRRQAUUUUAFFFFABRRRQ
AUUUUAFFFFABRRRQAUUUUAFFFFABRRRQAUUUUAFFFFABRRRQAUUUUAFFFFAB
RRRQAUUUUAFFFFABRRRQAUUUUAFFFFABRRRQAUUUUAFFFFABRRRQAUUUUAFF
FFABRRRQAUUUUAFFFFABRRRQAUUUUAFFFFABRRRQAUUUUAFFFFABRRRQAUUU
UAFFFFABRRRQAUUUUAFFFFABRRRQAUUUUAFFFFABRRRQAUUUUAFFFFABRRRQ
AUUUUAFFFFABRRRQAUUUUAFFFFABRRRQAUUUUAFFFFABRRRQAUUUUAFFFFAB
RRRQAUUUUAFFFFABRRRQAUUUUAFFFFABRRRQBv1A/wDEsuj/ANMW/ka5D4WA
/wDCNXZ42m/kK49Nqf1zXWaqdukXpHaB/wD0E1y3wwH/ABS0xAAzeS8gEZ4X
n3/Cp+0PodtRRRVCCiiigAopM896WgAooooAKKKKACiiigAooooAKKKKACii
igAooooAKKKKACiiigAooooAKKKKACiiigAooooAKKKKACiiigAooooAKKKK
ACiiigAooooAKKKKACiiigAooooAKKKKACiiigAooooAKKKKACiiigAooooA
KKKKACiiigAooooAKKKKACiiigAooooAKKKKACiiigAooooAKKKKACiiigAo
oooAKKKKACiiigAooooAKKKKACiiigAooooAKKKKACiiigAooooAKKKKACii
igAooooAKKKKACiiigAooooAKKKKACiiigAooooAKKKKACiiigAooooAKKKK
ACiiigAooooAKKKKACiiigAooooAKKKKACiiigAooooAKKKKACiiigAooooA
KKKKACiiigAooooAKKKKACiiigAooooAKKKKACiiigAooooAKKKKACiiigAo
oooAKKKKACiiigAooooAKKKKACiiigAooooAKKKKACiiigAooooAKKKKACii
igAooooAKKKKACiiigAooooAKKKKACiiigAooooAKKKKACiiigAooooAKKKK
ACiiigAooooAKKKKACiiigAooooAKKKKACiiigAooooAKKKKACiiigAooooA
KKKKACiiigAooooAparzo97gf8u79P8AdNcx8Mn3eFHT5v3d3lvJ45w3HoOf
zzXU6npxN5/1wf8A9BNcp8L+PC0wxgC8kx+S1P2h9DtqKKKoQUUUUAFFFFAB
RRRQAUUUUAFFFFABRRRQAUUUUAFFFFABRRRQAUUUUAFFFFABRRRQAUUUUAFF
FFABRRRQAUUUUAFFFFABRRRQAUUUUAFFFFABRRRQAUUUUAFFFFABRRRQAUUU
UAFFFFABRRRQAUUUUAFFFFABRRRQAUUUUAFFFFABRRRQAUUUUAFFFFABRRRQ
AUUUUAFFFFABRRRQAUUUUAFFFFABRRRQAUUUUAFFFFABRRRQAUUUUAFFFFAB
RRRQAUUUUAFFFFABRRRQAUUUUAFFFFABRRRQAUUUUAFFFFABRRRQAUUUUAFF
FFABRRRQAUUUUAFFFFABRRRQAUUUUAFFFFABRRRQAUUUUAFFFFABRRRQAUUU

UAFFFFABRRRQAUUUUAFFFFABRRRQAUUUUAFFFFABRRRQAUUUUAFFFFABRRRQ
AUUUUAFFFFABRRRQAUUUUAFFFFABRRRQAUUUUAFFFFABRRRQAUUUUAFFFFAB
RRRQAUUUUAFFFFABRRRQAUUUUAFFFFABRRRQAUUUUAFFFFABRRRQAUUUUAFF
FFABRRRQAUUUUAFFFFABRRRQAUUUUAFFFFABRRRQAUUUUAFFFFABRRRQAUUU
UAFFFFABRRRQAUUUUAFFFFABRRRQAUUUUAFFFFABRRRQBR1dtui3x9IH9v4T
XNfDIY8KN8oUfapcEfxDjn29Pwrotddb4fvyO1u/8qwfhqjDwXBIWYyss0zlo
AGweYRjPfkE/jUr4h9Dr6KKKoQUUUUAFFFFABRRRQAUUUUAFFFFABRRRQAUU
UAFFFFABRRRQAUUUUAFFFFABRRRQAUUUUAFFFFABRRRQAUUUUAFFFFABRRR
QAUUUUAFFFFABRRRQAUUUUAFFFFABRRRQAUUUUAFFFFABRRRQAUUUUAFFFFA
BRRRQAUUUUAFFFFABRRRQAUUUUAFFFFABRRRQAUUUUAFFFFABRRRQAUUUUA
FFFABRRRQAUUUUAFFFFABRRRQAUUUUAFFFFABRRRQAUUUUAFFNIyVJz8pyMEj
t+vWnUUUAFFFFABRRRQAUUUUAFFFFABRRRQAUUUUAFFFFABRRRQAUUUUAFFFF
ABRRRQAUUUUAFFFFABRRRQAUUUUAFFFFABRRRQAUUUUAFFFFABRRRQAUUUUA
FFFABRRRQAUUUUAFFFFABRRRQAUUUUAFFFFABRRRQAUUUUAFFFFABRRRQAU
UUUAFFFFABRRRQAUUUUAFFFFABRRRQAUUUUAFFFFABRRRQAUUUUAFFFFABRR
RQAUUUUAFFFFABRRRQAUUUUAFFFFABRRRQAUUUUAFFFFABRRRQAUUUUAFFFF
ABRRRQAUUUUAFFFFABRRRQAUUUUAFFFFABRRRQAUUUUAFFFFABRRRQAUUUUA
FFFABRRRQAUUUUAFFFFABRRRQAUUUUAFFFFAGV4j/5FvUf+uD/yrH+G7A+B
rNR1WScE/wDbVz/WtjxJj/hGtR/64N/Ksj4bn/ih7JecLJOOnH+tc8Hv1qV8
Q+h1IFFFUlKKKACiiigAooooAKKKKACiiigAooooAKKKaoCqFBJAGBkk/rQ
A6iiiigAooooAKKKKACiiigAooooAKKKKACiiigAooooAKKKKACiiigAooooA
KKKKACiiigAooooAKKKKACiiigAooooAKKKKACiiigAooooAKKKKACiiigAo
oooAKKKKACiiigAooooAKKKKACiiigAooooAKKKKACiiigAooooAKKKKACii
igAooooAKKKKACiiigAooooAKKKKACiiigAooooAKKKKACiiigAooooAKKKK
ACiiigAooooAKKKKACiiigAooooAKKKKACiiigAooooAKKKKACiiigAooooA
KKKKACiiigAooooAKKKKACiiigAooooAKKKKACiiigAooooAKKKKACiiigAo
oooAKKKKACiiigAooooAKKKKACiiigAooooAKKKKACiiigAooooAKKKKACii
igAooooAKKKKACiiigAooooAKKKKACiiigAooooAKKKKACiiigAooooAKKKK
ACiiigAooooAKKKKACiiigAooooAKKKKACiiigAooooAKKKKACiiigAooooA
KKKKACiiigAooooAKKKKACiiigAooooAKKKKACiiigAooooAKKKKACiiigAo
oooAKKKKACiiigAooooAx/FBx4Y1E/8ATE1I/DYY8B2B6kyTkn1/fPzWI4s/
5FXUf+uX9RWf8OgF8C2AGPvz9P8Ars9SviH0OqoooqhBRRRQAVHJII1zhmJ6
KoyT/n1NSUUAMLMbKITx0BGf8KfRRQAUUUUAFFFFABRRRQAUUUUAFFFFABRR
RQAUUUUAFFFFABRRRQAUUUUAFFFFABRRRQAUUUUAFFFFABRRRQAUUUUAFFFF
ABRRRQAUUUUAFFFFABRRRQAUUUUAFFFFABRRRQAUUUUAFFFFABRRRQAUUUUA
FFFABRRRQAUUUUAFFFFABRRRQAUUUUAFFFFABRRRQAUUUUAFFFFABRRRQAU
UUUAFFFFABRRRQAUUUUAFFFFABRRRQAUUUUAFFFFABRRRQAUUUUAFFFFABRR
RQAUUUUAFFFFABRRRQAUUUUAFFFFABRRRQAUUUUAFFFFABRRRQAUUUUAFFFF
ABRRRQAUUUUAFFFFABRRRQAUUUUAFFFFABRRRQAUUUUAFFFFABRRRQAUUUUA
FFFABRRRQAUUUUAFFFFABRSUtABRRRQAUUUUAFFFFABRRRQAUUUUAFFFFAB
RRRQAUUUUAFFFFABRRRQAUUUUAFFFFABRRRQAUUUUAFFFFABRRRQAUUUUAFF
FFABRRRQAUUUUAFFFFABRRRQAUUUUAFFFFABRRRQAUUUUAFFFFABRRRQAUUU
UAFFFFABRRRQAUUUUAFFFFABRRRQAUUUUAFFFFABRRRQAUUUUAFFFFABRRRQ
AUUUUAFFFFAGJ4tJHhTUMf8APMfzFZ/w4GPAmngdA8/Q/wDTZ6v+LzjwpqBz
/wAsx0/3hVH4ckHwJp+Om+f/ANHPU/aH0OqoooqhBRRRQAUUU1XDqGVgQRkE
HIIoAdRRRQAUUUUAFFFFABRRRQAUUUUAFFFFABRRRQAUUUUAFFFFABRRRQAU
UUUAFFFFABRRRQAUUUUAFFFFABRRRQAUUUUAFFFFABRRRQAUUUUAFFFFABRR
RQAUUUUAFFFFABRRRQAUUUUAFFFFABRSNlQAUUUUAFFFFABRRRQAUUUUAFF

FFABRRRQAUUUUAFFFFABRRRQAUUUUAFRyM2wiP754UlcgH1PlyPqxSigAooo
oAKKKKACiiigAooooAKKKKACiiigAooooAKKKKACiiigAooooAKKKKACiiig
AooooAKKKKACiiigAooooAKKKKACiiigAooooAKKKKACiiigAooooAKKKKAC
iiigAooooAKKKKACiiigAooooAKKKKACiiigAooooAKKSs3XtatvD2h3eq3Y
dordMiOMZaRicKijuzMQB7mgDifiv4pnsdlutF0me5h1E2n22ee3JV7eAOFD
K2QMs/y4Bzjdx0z6BZRS29hbQzzNNLHEqPK5yzsAASSAMk9eg+gryXxV4aur
T4WeL9Y1qeJdX1aSO7uRImSOOORTDbj7vQfLuwDljnOAa9ioKdraC0UUUEhR
RRQAUUUUAFFFFABRRRQAgRPEfjKa21qLwx4etlv/EUyCQq4Jgtl8j95Owll
GOgHJ4/vLm14z1+50fToLPTlZLrWqy/ZNPQDIRyOZW4b5EGXPB6c8Hll8J+F
LTwpp0kUUhub+5czX19loEl1KeSxx0GScDtnuSSQZhdWfrd/amXWfHWtnU2U
BX06UWSEfUgeWow3J5Y8kAdK1fAWuXmt+HZZP7TYPqVjdz2N24jCBpl3lZgEg
ErtJwcZzjFxFfICHwv4Xv9WkKb4lj5MbnAlllwifi2BVHwD4duvDfhldS
dJNVu5pLy/kTo88jZJ444G0ccfLQF20dTRRRQIKKKKACiiigAooooAKKKKAC
iiigAooooAKKKKACiiigAooooAKKKKACiiigAooooAKKKKACiiigAooooAKK
KKACiiigAooooAKKKKACiiigAooooAKKKKACiiigAooooAKKKKACiiigAooo
oAKKKKACiiigAooooAKKKKACiiigAooooAKKKKACiiigAooooAKKKKACiiig
AooooAKKKKACiiigDC8YHHhO/OQPkHP/AAIVT+HcUkPgXTllieJiZmCOhU4M
rkHB9QQffNXPGBx4Uv8A/cH/AKEKofDcBfAenAAAbp+AAP8Als9T1H0OsqIm
YswCoFx8rEknP3GPX3qWiqENHAXuJ56mnUYooAKKKKACiiigAooooAKKKKAC
iiigBB+NLSDgDgZpaACiiigAooooAKKSloAKKKKACiiigAooooAKKKKACiii
gAooooAKKKKACiiigAooooAKKKKACiiigAooooAKKKKACiiigAooooAKKKKA
CiiigAooooAKKKKACiiigAooooAKKKKACiiigAooooAKKKKACiiigAooooAK
KKKACiiigAooooAKKKKACiiigAooooAKKKKACiiigAooooASiqeqana6Pps2
oXkgSCEDcSwUZJAAyxAGSQMkgDOSQOatqwZQVIPII70AOooooAKKKKACiii
gAooooAKKKKACiiigAooooAKKKKACiiigAooooAKKKKACiiigAooooAKKKKA
CiiigAooooAKKKKACiiigAooooAKKKKACiiigAooooAKKKKACiiigAooooAa
K4K0SL4geLYdVZCfD+gzn+z5kfdHqFwxGIH+zEylVlyGJJJDYBBd491/Vlb+y
8NaQQLrU42+a3kBuliGRIUDMgRsYKuWlyG4GATR0vX/Emm2MWM+HvhncRaZb
IFhE9/HA4BGQWVhyzkkMxyTk5zQUk7XL3xmcp8J9adSwKm3lKnBBE8eCDXe
V5L491nxRqPgPX7XV/BE9jaG2LC5h1CK52IWBBZFwwXjJIBx3wMkeqWs6XNp
DPHKsqSRq6yL0YEZBHsaBdCaq99fWum2U17e3EdvawrukIkbaqj3NWK88toG
+lutelYdXtUPh3TrhrGyjKYc3CcSTBT2MqchTjoexDZBHbaTqcGtaRaana7v
luollQNjIBGcHBlz24JHoTV6kHSlOAKKKKACiiigBKZNKIYJJWPYopY9egGe
3NP7Vz3jG9MGiJYxKGUNvNTtoQYfNUeZwzMn8SqqdiPRT0oA5zwBbT+KL5vH
2r+Q9zPG1rp0UdvsFvbhzyGJJYt1z2ywHUiu9vLy30+ymvLqQRW8KF5HI6Ae
w5P0FcN4E1i30LwXqlrq0i2lt4bv7iwaeQFQ8asGRgpyeVdQBkk8YzmlbfU
fiVdx3t2s2neFYmP2alN+81EZOJegMakYA6nBJUgkMApq7v0NTQ7e48U6nbe
Jb9Y47OEN9htFmMmx/ulmxhcj5hwDyT8xCrXZ02OOOGJlokVI0UKqKMBQOAA
Owp1DZLdxaKKKACiiigBKKK4/wCGupXmt+Ef7Zvbq5ma/up5Y47jbut0DmMR
5UAcBm9ByxoA7GiiigAooooAKKKKACiikoAKK5HV/iBpNlp+sXGnMupyaVAJ
5xFJiL72CnnYKCQDnZnJ4AHp09nc/bLG3uvJmg86NZPKnXblmQDtYdmGcEet
AFiiiigAooooAKKKKACiiigAooooAKKKKACiiigAooooAKKKKACiiigAoooo
AKKKKACiiigAooooAKKKKACiiigAooooAKKKKACiiigAooooAKKKKACiiigA
ooooAKKKKACiiigAooooAKKKKACiiigAooooAKKKKACiiigAooooAKKKKACi
iigDn/GZx4Uvcdwo/wDhHv4eADwLpuCD/rTx6mV6n8an/ik7zH+z/6EKr/D
sY8CadnuZT1B/wCW+rISt2PodTRRRVCCiiigAooooAKKKKACiiigAooooAKK
KKACiiigAooooAKKKKACiiigAooooAKKKKACiiigAooooAKKKKACiiigAooo
oAKKKKACiiigAooooAKKKKAERf8Uel4PDGhT6jLGZ5VUiC2VwrTvvgkKD+BJO

DgAnBxV7VdUtNG0u41G+mSK3gXczO6qPQDLEDJJAGSOSK8sk0+81nwT4j8d6
9HsvrnTLk6ZakMw0+AxsBs6fM4AYtgHB7cigqK11PUNF1L+2NB07U/K8n7ba
xXHl792zeobbnvjPWtCsDwQrR+AfDiMMMul2wI9D5S1v0EhRRRQAUUUUAFFF
FABRRRQAUUUUUJS0IVdR1Kz0jTrjUL+4S3tLdC8srnhQP5+wHJPFafque1fx
z4X0KeOHUtctIJJJDGF37trAjlbbnblj64rmUfxD8SZVkie60HwbNbMAdsf2
vUQ4xnBDCOPrg9WHPIYFe10XQNJ8PWQtNHsILOAAAIJeXwMAs3Vj7kk0DsWr
HULPVLK09sLuG6tZc7JoJA6Ng4OCOCCPqKs0xI0TcURVLHJ2jGT606gQtFF
FABRRRQAUUUUAFFFFABRRRQAUUUUAFFFFABRRRQAIVNS1Sw0exkvdSvlbS1T
70szhV+nPf26modb1vT/AA7o9xqup3CwWkC5Zj1J7ADuSeAK5q10O48ZyWur
+JbaWC0ikWay0iaFFKYyVeY5Zt3lygZR8o3LnIANHbUtFJQIWik/GloASlpM
01ZFcsFdWKnBwc4OM4/ligB1cz4I1h/EekT68o2Wd/cyNaxGR3dY0PI5bcxC
kIC21QAM45OSejlMnkuYQpk2nYHOAT2yeeKyPCWhL4a8J6Xow8sta26pl0f3
Wk6uw+rEn8aANqio554ba3kuLiVlolkLySSMFVFAySSegA71I+G/EVv4o0xt
Rs7W7htDIVhkuYwnnqMYkQZJ2HPGcHjPQB0UUUAacz8QYYJ/h5r4ulo5Y47G
Wby5BIWKLvAP4qOmCOxBwa3rNpHsoGnREmMal1T7qtjKD2qj4nsJtW8J6zpt
sFM93YzwRgnaCzoyjJ7cmremx3MOIwCv60bXSQosxj+6XCjcV4HGc44H0FAF
uiiigAooooAKKKKACiiigAooooAKKKKACiiigAooooAKKKKACiiigAooooAK
KKKACiiigBMdevPvS0UUAFFFFABRRRQAUUUUAFFFFABRRRQAUUUUAFFFFABR
RRQAUUUUAFFFFACVna9rll4c0O71jUGkFrapvfy0LseQAAB6kgenqQOa0a5T
WPDt54j8U6dJqMdsuhaXL9qhjS4kMlxOANpdAAoVSWPViSB0Bl0AqfD3RtQj
gvvE+urJHreusks0DoE+zRKClogO2FPOeeQDyCT21FFAbnC/F2dh8Or+xt/n
vb94bW2hXO6VmlQFRj2J9vzrt4o1iiSNBhUUKMADgfSuffR7zVPGFvqeoRQx
WelCQWCRysxmeRQDK3QDC7ICkHkk7uldGKB9DC8QeL9E8MqE1C8T7Y65gsYi
HuJychVSMckkjaO2e9YXw5s9V09dTt20yWw8PSSi40uG6KielSZZ4yg+6oPI
DAEEsMt1rudoyDgZHQ0tAXFooooEFFFFABRRRQAAlcpbMuu+P5btdklllocBto
n8vIN1lf3u184yilqnAz+8YZ6iuku7pLOxnupCqwxxtlxc4AABPJwcDiuO0H
XbLwx8KdP1vVbqUrJa/bGM8iGwaWXMuxTwGYliFHxGM96BoyrHQNL8RfFPxr
Bqcct1b2z6dMLZpnWEyGE8sgIV+FXhgR1GK9LREjjWONVRFACqowAB0AFch8
PNGnstlutZ1G0Frq2uXDX11FtwYgxOyM8A/Kp5B5DM1djQDdxPxrz+917XvG
GvNpfg6/TT9Ns8/bdZaBZt0mSBFEjchPkk44KsDjG/R8fa7eadp1vpumSwwX
uoyCA3c0gRLOI8NKSSMEZ+X1bGAehzvDmt2suhvo3w8tkvV051ia9v8AfHbO
xy0h8wKS8h6nAxlwenBLDS0ua+u+Jv8AhF7S306Bptc12QKYbV3SOWVS+3e5
RAqL1AO0AkYHNdS7hEZ3YKqjJJOABXn9szXPjyz8PW8ouRpcQvtbuWjP725Z
f3lyzMw5JcKdHQFAOBivQKBNDYpUnhjmjJKOoZSQRkEZHBp9eSaD4k1Hw4up
eCNI0k32qWI5crpkYkBihtSd0bTOz5wu8A9MjaoO6vR9DTXltM6/cabLcsFO
2wgeNEOORI3Ytz0OF+noA00alcv4E0e60DRLrTbi3MEUOoXJtQWQhoGkLlwC
cDIPTAOc8CtF/EdjF4qj8PTI4bya2+02xcYSdQSGVT3dcZK+hB9ca9Aggrda
jaWVxaQXNwkct3IYoEPV2ALYH4Dr9B1lq1XA+DHbxF4i13W724mElngL2sOI
ysHWyaNBHvBIJDMpb7h2EOfvHkAzv6KKKBBRRRQAAlcL4qnuvFWuN4G0y5e1g
8gT6zfREExQsSBbp1xl45+bGE5w2cV3VcD4QxZfEjxnZXoYajcyQ3kMjygm
0wVTaPRG3KT/ALSjsKBo6aHwtotvp+m2EFhHHZadKs1vAPuh1BCs2fvEZ3ZO
Tuw3XmtmikoEFFefar4un1pGTTL/APsfSkvxYyai6B57uXcVMVomCrZlxvyc
YPy/KTXT+Fo9Ti0ONNVjlmWR1jjmmEsixBil/McE7n2gFjuJPNA7G1UN1d
21jbtCXdxFbwLgNLK4RRkgDJPHJIH4028vbfT7Ke9u5lhtolzJLI3RVAYTXn
+ixeKPFOrv4nZptNsZVaPTLW6IO2CLYNs7QocSu5J+Vyuwc/PxQhJHW6f4ot
NS8Q3ejwW17m3gjuFvDF/o06P0McgJDdx2ztbGcGtus3RNFtNDsPstqZZGdj
JNcTtulnkPV3buxwPYAAAAAAPPFHizTvCtnFLd+ZLcXMgitbWBd0k8hOAqgf
57AE4BA32NLUtUsdH0+W+1K8htLWIZeWZwqj069z2HerEU0c8KTQyLJFloZH

QgqwPIII6jFcf0HhzUtUWPVvGv2a6vS/m2+n+SjQ2A4KhcqSZBzls9++1TXZ
0DFooooEJWJ4r8QHw5ojXsVsLy7eWOG2tBjsaeR2A2rwSSBlIACcKa2+1ZWp
6Baarq2k6jcFzJpkryxR4BRiy7ckEdRwQRggj3NAI0omlaFDMiJKVg9Ufcob
HIBIGR74H0FSUUUAJXM6JrV9qvjPxHa/8wrTTDbxPgHzJ2TfIAw6bQUGDnlij
z0AZ4z8V6boejXUL3bC+mhkWCG3ciUsBztlB2kAggnjpXleCfGPg3wj4btrG
51Vft93I93eNFaTBTM43Nj5eijavHZckDmgpJ2uesUVyj/EvwYttHcDxFZvG
5AJjJcx5YKC4UEouSBubA5HNX9A8YaB4oWQ6NqUd15TIHCqykEezAHvweh5x
0NBJu0UUUAFFFFABRRRQAUUUUAFFFFABRRRQAUUUUAFFFFABRRRQAUUUUAFF
FFABRRRQAUUUUAFFFFABRRRQAUUUUAFFFFABRRRQAUUUUAFFFFABRRRQAUUU
UAFFFFABRRRQAUUUUAc742OPCI1juUH/AI8Kg+HYA8Cabg/89f8A0a9S+OT/
AMUpCY7un/oQpnw/x/wg+m4llxleP+ujVK3Y+h09FFFUIKKKKACiiigAoooo
AKKKKACiiigAooooAKKKKACiiigAooooAKKKKACiiigAooooAKKKKACiiigA
ooooAKKKKACiiigAooooAKKKKACiiigBKM0dq4rx9rsywxefNGkhhbXBrSNFb
xyKCscRB3yN8wwAoYjhiSvCt0oBK5nC1HxI8Vx3cwR/DGi3ANuqzCSPUJtpy
xCnjY23Gc8bgR8xxsfE+QRfDXXG2By0ARVlz8zMAv6kVu6Fo1n4e0S10nT0K
21uhVc4yxJJZjgAZJJwAOeABxWL8SYJrn4d61DAQrNByxGQqbhuJ9guScds
0FJ3aOh021FjpdnZqWKwQJECzZJ2qBye5q3VHSL+PVNEsNQh/wBVdW8c6fLt
4ZQw47delXqCQooooASiuV1PxLeXmo3WiefTaT6xZuhuvt0Uwt40IzjEXG/
GMDPrwcNjc0241CeA/2jYJaTrjlinE0bZ/uthWOOM5Uc9MjmgLF+iiigAoooo
oAKKKKAG15IC1x8VfECXBiMfgfTZiY94I/tWdeM4x/qlOR6HGDnkJv8AxMv7
+w8B3z6XJcRXcrRW6SW6bnXflqnaMdSCVB4wSMEHFb+iaRa6BolnpNkpFvaR
CNNxyTjqT7k5P40eY1tc0AABgDAFLRRQISigVn61rVpoWmve3jNsXhUQZZ27
KB6/pQBoUVw+rx+NrGzm16PWrsQWpNy+jwWw8qWFeTGJmBcuVHDAKM4+UCut
0vUYNX0my1O23C3vIEni3jDbXUMMj1waALdFGa4ZvtPin4i3VINcXEGj6AIZ
fs0TmP7VctlkZ8AEom37ucEgHkcEBK53VJTWdUQu7BVUZLE4AFZUHifRrjV4
dKj1CM3s0bSxREEGRVOGKk8HHPT0PocAGuKK5/XvGOmaCbaJ1nvLq5n+zxW1
mody/oSSFU9eGIJwcZxU3h7xTpXiaGdtPnJntmCXNtINskDkZAYdD3G4EqcH
BODQFnuhdFFJQAgOc89Otc7pPjrQdb1ybSLK6drlAxQvEyJOF4YxsRhsZ/Ec
jl5rg9DFz4viu9ChuoZhfXc194iuYpeRGZjHFblEbKF4oQCD0TP3i1b/Aljg
hs/iF4BsbKKK0jjkujEscQ2bFgIKBQwxgH+6cbu3IIVboeg0UUUEhRRRQBw8
6yelfiZ9jurh4NO0SJZorPzAv26dtr+aU3fNHfMLB2jEh68Yrt65rxN4TtNb
nttUXUbvStTsUbyb+0kCIV6IXBGHTIBKn8+TWd8P/EI9rrazbT30Gq2mnXK2
9vq0EYjF0SuWBVSvypI5eCCDgdwdtDtq4E6gnjy4usXVzYeHNPuJra4ZZQo
1lhRykkbhlVcNnqGDdmHy9J4turmz8Japc2bFJo7ZyJAcGMY+ZxyOVGW/Cs7
wnoWiy+CvD2LOG6hSzimgaalHBcBywU52kk5wOnHoKF3BDvB1pcRtql4DcQ6
XczRjTbOY/6qF11TcOSQHlJwegA4ByK6C+vrfTbCe9u5PLt4ELyNgnAHoByT
6AZJ6CrNcV4hSbXfHWmeHjcMmmwWjX97Cj4+0ZbZGDxnaCGPB6kHHANG4bsy
YdU1nxrpd7e33h2/GiyY/suxtbowT3i8/PLKJFVUxtIGcHJxvwCen8KeFoPD
51C8+y2sF9qUoluFtf8AVoAMli8KCFBPO1Sc5OTyekpodC5jDAuACVB5AOcf
yP5UA32HUUVz2teOPDfh+cw6nqsUUq/eRvAqP1+9tB29O+KBb7GX8U4rE+CW
udTMp0+1vbWa4gjPE6ecqlGG4Aqd2eTwQD1ArtAAoAAA6AV599ovvibaRQ/
2RJYeF2njkmkvm2zXqKRIAiAEeWSAC275g2R0wfQqBsWiikoEJS4rj9DaR/i
Z4tzqQISOCyQWij/AFOUc5PHU8kYPc5H3TXUYUA0Vb6a7htnks7RbqUDliMvl
lj6AkEetcpf+LPF9teSeR4BkNgnpH+k3OsW0Rx3JUFsDr3P4V1t7e22m2M17e
TpBawIXklc4CqO9cVbabdeOtbGq6otzF4agA+wWEhMQuznmWVM5ZDxhXA4HT
BO4GhfDGv+MdU0CCb+xrWZ3jEkV7c3PkQ3CNkqwVvaRSVGGXnk7umdeLTPF
l4qNqHiO2syVG6LS7FfkPcCSYvu7DOxeB0GeOIHA6UUA3cq2Nm1nHlrXdzct
JIZN07AkZ7DAAA9sVboFHagQUUUUAFFFFABRRRQAUUUUAFFFFABRRRQAUUUU

AAAAFABRRRQAUUUUAAAAFABRRRQAUUUUAAAAFABRRRQAUUUUAAAAFABRRRQA
UUUUAAAAFVjdqZZlokeZox8+zGFOMhckgZPp2yM4BFAFmio43Z1UtGyEgEhiM
j24J5H5VJQAUYHPRRQAUUUUAGKKKKACiiigAooooAKKKKKACiiigCGeCK5tpL
eZd0UqFHHqCMEVx1h4Aa31TRTc6mJ9H0OLbp+mmAY8wDas0rkkO45lwq7SeM
c57aigLi0UUUAUNS0bS9YiSLVNNs76OM7kS6gWQKemQGBxVuC3htbeK3t4o4
YIkCRxxqFVFAwAAOAAOMVJRQBjaF4dtdBk1OaGWae41G8e7nmmlLEt0QED7q
gAAdvxrTnMwtpfswjM+w+WJcQpbHGSMkDNS0cUAcx4K8MS+HdOuJdQuEu9a1
CXz7+6UcM2MKik/MUUCDPqTxFdPijtR2oC9zjvGug3Wvav4TW0tjmx1VL2a
8+XbDFGCSh5DZc7AAARxk4xXY0CsfxFo95reni1tNcvdJy37ySzCbnXuMkEq
fQqQR79KAGa74u0Hw0CNV1FIXCiQxIjSyKhyN5RAWCZBG4jGeM5rB8Fm+vfE
uv60ml3Fho+pNG8QuyFklkRQhkVAAUVgBkNknAYEhsDQ0L4feHtCuEu47aS8
vw7SG8vpTNIZGOWkGfIVz3ZQCe9dTQO66C0UUUCCiiigBK4X4i7NBtrXxpaf
ldR06WKCRRS/H/Em2kkCtC2D0ywcHBIK8Dk1p6/4g8QaXqYt9N8JzarbyQhor
iK7SMebk5Rw33RgA7umSB64ztJ8Janqmowa740u0ubuJo5bTTLZnW1sZELYc
DdiST5vvEcHIGQAaB26ncVx3xP1GTTAN/NFN5JcpFIXCs25gAoJ7E4B9FLH
tXY9aparpOn65ps2n6naR3VpMNRxyD9Qeol7EYI7YoEnqY1j4E0Ow1Owvo4p
XOn2y29pBI+6KHGcyKmMBznk/lgk56auS0bwTJoNxD/Z/ijWxYx7FNIPLHNH
sThUTehKLjI03kjGCMV1tA2cV4+le/l0bwnHtU63cFZJGH3IYv3sjKeRvAUA
BIIJYHsa7OONlo0jjRUjQBvVRgKB0AHpXP8AiXwlb+JLnTrw3t5Y32ntJ9nu
bVwrKsgCuOQeoHXt7jIN3QtCg0KxW3S6vL2bHz3d9MZZ5ecjc/fHQDpQGlip
4j8Z6J4Wjb+0bh/O8syLBDE0jEdBnAwm48AuVBPfg1ytnp2uelvHun+KoNFX
RrWJAKkupv5txNCQw2JCR+4bOckEfeB+b5IPX6d4P8OaTqDX9hotjb3RcuJl
4QChK7Ts/uZHB24z3rboC66C0UUUCCiiigBBXD+OtWvl17wr4e0u6lhn1DUF
luRbuqubaL53GSRgHGTjkhWHPIPQ67rv9hQQTHStTv1lfYRp9v5xj92AOcfT
Nc74d0zVNb8VP4o1+x+yi3h8nS7VpNnxj3j97JtKggSAqjODw+QARQil3Z3NF
GazNcutUttOb+x7AXI9lwjjDuqxz/5aSEkEqvUhcseg9QEnGeJ3HjTxvYeE
4F3WGNsJqGpy7DtIXIWHOMNvJwcHgK/Uggd7Fp9IBPLPDZ28csoCySjGAzgd
ASBz1NY3hLw0PD9pdTXLJNquoTG5vrhedznoobAJVRwOACckKu7A6KgbfREU
VpbwSPJFBFG7nLsIAFj7nvU1FFAgooooAKKKKKACiiigAooooAKKKKKACiiigA
ooooAKKKKKACiiigAooooAKKKKKACiiigAooooAKKKKKACiiigAooooAKKKKKACi
iiigAooooAKKKKKACiiigAooooAKKKKKACiiigAooooA5nx5/yKswHTzI84/wB4
UvgF2fwTppYg4V1GPQSMB+gFM8enHhhjx/ro/wCdO8AEf8IRpuBj5X7/APTR
ualbsZ01FFFUIKKKKACiiigAooooAKKKKKACiiigAooooAKKKKKACiiigAoooo
AKKKKKACiiigAooooAKKKKKACiiigAooooAKKKKKACiiigAooooAKKKKKACiiigC
nqeo2+k6Xd6jdMRb2sLTSY67VGTj34rlPAmnT6gn/CZ6rl0mparBm3TIC29o
zb44wF4JwVyTzwB65q6/Db+NtZ+zXNzFD4a0O4LXs3nIPOulA/dHlyiqHOWB
BO7AwQCNW8+JXg+xiEsuuQPGTjfb08wH1KKcDjqaCrO2h1dc946IEXgbWWLh
P9FYAk4GTwBntknGfeuft/i1pt20YtvD/iCcSrvjMFtHIXQEAsqrIWZQSASo
OM81Q8R+NZdd0KbSU8LeILGS+kjgge+tY41dmOQoDyDLHaw256cmgai0zufC
ts1I4P0S1bZmGwgjPlsGXIMDggkEcdQT9TWxWVoM5k0uCH+zL3T1gQRLFdhN
wCkoPuMwP3c8HGCD3rUoICq989zHp9y9miyXSxMYUdtoZ8HaCcHAzjnB+IWK
BQBw/wAJ4rOPwLbyQMz3ss0r6g8rBpmud7b/ADD1JzwCeSADXcV5r4z0vSdE
vX1XQ7660rxBcuS0OmRGVr18EjfCAQx5JyVPBc4J5HY+FbzWr/w9bXOv2cVn
qEm4tDFkYXJ2kqS21sYyu5sevYA2uptUUUCCiiigAooooA4j4rkD4f3Rfel
BPA00ke/dEglUlwF6kYBGeO56V2tUdZ0m017RrvSr5C1rdRGOQKcEA9x7jqP
pXLeDfFmPP8ADHiO8tofEGlyJavulC/a1I/dSrK8llwSOuT0GQKB7o7ilqC4
ure0hea5uloYk5Z5HCqv1J6VFZalaakrSWUy3EKnb50fMZPH3W6N17ZwQQeR
igQ7UL6HTNMutQuG229rC80h9FUFj+grk/BMXiDW4lfEviS5mt5J132elwSb

llomVcM6gZZzhmbaG7HgdjPBDdW8lvPFHNBKhSSORQyupGCCDwQR2rhvD7
+MvDmmz6JL4dg1CCwCxaZdW96sSTQ8BVcOS6IR1OD6AHGSDWxq/EHU/7N8Ea
kli5vL2l2NIHEwWSSeUbECcjJBO7jnCk9q1fDumPovhnStKkdZHsrOK3Z0GA
xRApl+uKxNK8P6rf6/D4h8TS232i2jKWFhaEmK13D52Zjy7kYXoAAOM5yOuo
AK4Vn1bwz4s1u4tvD13qdvqjRSxPbsm7zAmwhmZuFBCDnGBkjdzuqKATOUb
w5qHiGWG48RXzix3LN/YkKqkQO3/AFc7gkzAHnHCk9QRxWhrHhiy1q7truSW
5t7u1ikit57aTY0IkwGK8EA4UDPpnrW3RRcLmLoXhPQPDU6PpdrvFEMYIA
3SIS27aZGyxGT0J/IXP+GdWtbj4n+MLJdiz4tyFLDe3lptc4BOFG+PBIBJZu
u3C90KKAuFYpJLX4PDXhLUtTmeMPHA4gRycSylTsT5eeT6dBk8YzW9XIPxFm
/wCEgvbnSGmSG1sZ7S1XzXUJjdXB5JBGSEHJYYIySw+bBFC1CK1O08E+Hz4c
8K2VnKZGvXjSS8Z5S+ZihsZ6KMYAGBx6kk07fGp/E+a7g+eDS9Pa0kdcBRL
l6vtBB5lVeVPT5TxnnMufHS+Lbk6H4LMI2XbZd6oEdYLaPkMFcYPmcDaRrxzk
E4xXX6Jo0OiWTwRu0kkshmnkOfnkIAJAJ00YAAHtyScksH5mnRRRSEJWR4i1
qfRLCKa10e/1W4mmEEVvZqDh2BlARiQEjyAC54GRWvS0AcDH4e8Y+JAReJdY
t9P06VsyaTp8AZmj28K0xJ2tk4bbuHy5VhkEdxb28VpbpBAgSNBgAf55Pv3q
WgUBchurdLu0mtpM+XNG0bbTg4lwcfnXD6Bo3jLwdFFpdlZ67o0TCO38+Yw
XEEfucMCqgYC9TkY2qAo76igEytZC9Fqv29rdrg8kW6klvsMkk/XjPoK5LWt
N8Q2HjpfEWj2cd9bS2As57czASAh2YMoYquBn+9znoOtdsKKLgmcTBY+ONeu
EbVr610PTHjHmWmnP5l02VIKGUjEzYRlkyeMKQfmrqtO0yz0m1+z2UljQncx
LFmdsAbnYksZYA5JJ4FXKKAuLVJdH0xNUfVE060XUJBte6ECiVhgDBfGTwA
OvartFABRRRQAIz+saWus6c9k15e2gZlbrKcwyDDA4DDkA4wfYmtCigCnp+
mWmmRSJaxITK/mSOzFmkbuzE8k8VdoooAr3lhZ6hCsN7aQXMSuHVJow4DDoQ
D3HrViiiGaoooooAKKKKACiiigAooooAKKKKACiiigAooooAKKKKACiiigAoo
ooAKKKKACiiigAooooAKKKKACiiigAooooAKKKKACiiigAooooAKKKKACiiigAoo
KKKACkAA6ADvRzS0AGKKKKACiiigAooooAKKKKACiiigAooooAKKKKACiiig
AoxRRQAUUUUAFFFFABRRRQAUUUUAFGKKKACiiigAooooAKKKKADFGKKKADFG
KKKADAooooAMCiiigAooooAKKKKACiiigAooooAKKKKADFFFFABRRRQAUUUU
AFFFFABRRRQAUUUUAFFFFABRRRQAUUUUAFFFFABRRRQAUUUUAFFFFABRRRQA
UUUUAFFFFABRRRQAUUUUAFFFFABRRRQAUUUUAFFFFABRRRQAUUUUAFFFFABR
RRQAUUUUAcP8QTjwzgcBpkH61Y8Ctu8E6WcjHIEDBJ43Ed//ANXpxVT4hH/i
nYxzzOvSr/gti3gzSSdvFuoG0Y4HA7/59qmO7G+hv0UUUVQgooooAKKKKACii
igAooooAKKKKACiiigAooooAKKKKACiiigAooooAKKKKACiiigAooooAKKKK
ACiiigAooooAKKKKACiiigAooooASuX8Y7d2cKaRoZSTXr0AQIVZvJjLqjT
sAOFUuOvuedpFbOs6vZ6Do11qt/KsVrbRI3ZmAz6AZ7k4AHckVz3gjSr9vtf
ifXInh1nVIQPbMfltokyERARlCg7iDzk8gEGhDXcvWvgjQltMt7G40+G8SGM
qftC71Z2+/JsPyh2JOWAZzjOOKuWPhfw9pl0tZp+haZaXC52ywWkcbDIwcED
NawooFdkF1cpaW7zSLlwUcJEhdm9go5JrntO0nUdT8RL4g12GK3+zK0el2Ck
O1urAbpJWGQZTjGE+VVyMtnNdRRQAtFFFAEFy08drM9tEs06oxiid9iu2OAW
wcAnjODj0NcTcaD408TTtFrOsW+kaRJGyyWmljdM/wA3AMrrxgYBIGGGQVGe
O8ooGnYwfDXg/RfCtv5emWu2VkcPPI26RwAOM9FGedqgKCTgCt+kpaBBRRRQ
AUUUUAFFFFABjjsjWPDWi68P+Jnp0NwwQx7yNr7SMFdwWC0zjp6Vr0UAc7p
/gnw/paCO0s5VgCCP7O93NJCVAwAY2YofxHXnrzXQKqxoqloVVGaOgABS0tA
BiiiigAooooAKMUUUUAFFFFABRRRQBR1fU7fRdHvNTum229pC0zn1CjOB7npX
mWl2ty/ibwtoVyFlvSZfEWt/Nt/fMDsBTOco7Rhc9kU9q3/HN9Z3WsaXoV+w
XSUVtT1ViRtWkljykcMCGV5ONo+Y7OO9WvAdlc3EN94p1ONhf61IJYVc5aCz
A/cRYBwMAIjqW5yRTK2VzsqKKKRIUUUUAFFFFABRRRQAUUUUAFFFFABRRRQ
AUUUUAFFFFABRRRQAUUUUAFFFFABRRRQAUUUUAFFFFABRRRQAUUUUAFFFFAB
RRRQAUUUUUAFFFFABRRRQAUUUUUAFFFFABRRRQAUUUUUAFFFFABRRRQAUUUUUAFF

FFABRRRQAUUUUAFFFFADCis4cqCR0J7fShEKAguzDJxuxwPSn0UAFFFFABRR
RQAUUUUAFFFFABRRRQAUUUUAFFFFABRRRQAUUUUAFFFFABRRRQAUUUUAFFFF
ABRRRQAUUUUAFFFFABRRRQAUUUUAFFFFABRRRQAUUUUAFFFFABRRRQAUUUU
FFFFABRRRQAUUUUAFFFFABRRRQAUUUUAFFFFABRRRQAUUUUAFFFFABRRRQA
UUUAFFFFABRRRQAUUUUAFFFFABRRRQAUUUUAFFFFABRRRQAUUUUAFFFFABRR
RQAUUUUAFFFFABRRRQAUUUUAFFFFABRRRQBx/wARP+ReiHrcKPr1rU8Hvv8A
B2jkNn/RlxyQcYGMcE+mPw55rK+lnOhQAd5x0+hrX8JNu8HaMcgj7FEB07KP
SpjuxvobVFFIcjp/OqELRSZNLQAUUUUAFFFFABRRRQAUUUUAFFFFABRRRQA
UUUAFFFFABRRRQAUUUUAFFFFABRRRQAUUUUAFFFFABRRRQAUUUUAFFFFABRR
RQBwvjKkXbFXhvwysczae8rahqW2NvLaKIfJGxPyOrOQGT5j0PHBPc1k3+h
w3er2OqwFLa+tmCvcJHmSWDDZhJyMqSQcHIBGQA2GGtQAAtFFFABRRRQAUUUU
AFFFFABRRRQAUUUUAFFFFABRRRQAUUUUAFFFFABRRRQAUUUUAFFFFABRRRQA
UUUUAcLrHgefXvH39rXrW40pbFLUlrkyvhy5GNo253Ebg2ccY5yO5o/lRQO9
xaKKKKBRRRQAUUUUAFFFFABRRRQAUUUUAFFFFABRRRQAUUUUAFFFFABRRRQA
UUUUAFFFFABRRRQAUUUUAFFFFABRRRQAUUUUAFFFFABRRRQAUUUUAFFFFABR
RRQAUUUUAFFFFABRRRQAUUUUAFFFFABRRRQAUUUUAFFFFABRRRQAUUUUAFF
FABRRRQAUUUUAFFFFABRRRQAUUUUAFFFFABRRRQAUUUUAFFFFABRRRQAUUUU
AFFFFABRRRQAUUUUAFFFFABRRRQAUUUUAFFFFABRRRQAUUUUAFFFFABRRRQA
UUUUAFFFFABRRRQAUUUUAFFFFABRRRQAUUUUAFFFFABRRRQAUUUUAFFFFABR
RRQAUUUUAFFFFABRRRQAUUUUAFFFFABRRRQAUUUUAFFFFABRRRQAUUUUAFF
FABRRRQAUUUUAFFFFABRRRQAUUUUAFFFFABRRRQAUUUUAcX8Rv8AkEWozjMx
5/4Ca2/CfPg3Q/8AsHwf+i1rC+JHOIWg6fvW/wDQTW74S/5E3Qv+wfb/APot
amO7G+hrnn/9dOooqhBgYxiiiigAooooAKKKKACiiigAooooAKKKKACiiigA
ooooAKKKKACiiigAooooAKKKKACiiigAooooAKKKKACiiigAooooAKKKKACi
iigAooooAKKKKACiiigAooooAKKKKACiiigAooooAKKKKAEBzyKWiigAoooo
AKKKKACiiigAooooAKKKKACiiigAooooAKKKKACiiigAooooAKKKKACiiigA
ooooAKKKKACiiigAooooAKKKKACiiigAooooAKKKKACiiigAooooAKKKKACi
iigAooooAKKKKACiiigAooooAKKKKACiiigAooooAKKKKACiiigAooooAKKK
KACiiigAooooAKKKKACiiigAooooAKKKKACiiigAooooAKKKKACiiigAoooo
AKKKKACiiigAooooAKKKKACiiigAooooAKKKKACiiigAooooAKKKKACiiigA
ooooAKKKKACiiigAooooAKKKKACiiigAoopKAClrCm8U2Rmkt9MhudYuY2Kv
Fp6q4jl6q0jFY0YddrOG6cc1sxuzxl7RtGzKCUYglT6HBlz9CaAJKbnnGeRS
1ga54L8Pel3Emp6ZDLNuVvOUbWJUeLul++Bk4DZA9KAN+iuT/wCEImDZh8X+
J4kCuqoLuNwFbHGxjYkjHDElhk4PNael6drVhcBbrXEv7MjtCzWgWYEdDvVg
D75XtQPQ2qKKSgQtFFFABRRRQAUUUUAFFFFABRRRQAUUUUAFFFFABRRRQA
UUUAFFFFABRRRQAUUUUAFFFFABRRRQAUUUUAFFFFABRRRQAUUUUAFFFFABRRR
QAUUUUAFFFFABRRRQAUUUUAFFFFABRRRQAUUUUAcX8Rv+QP4/57Y/Q1teEz
nwdovJP+gwjky/gFYnxHONHtR280/wDoJrc8J/8Alm6H/wBg+D/0WtTHdjey
NmiiiqEFFFFABRRRQAUUUUAFFFFABRRRQAUUUUAFFFFABRRRQAUUUUAFFFFA
BRRRQAUUUUAFFFFABRRRQAUUUUAFFFFABRRRQAUUUUAFFFFABRRRQAUUUUAF
FFFABRRRQAUUUUAFFFFABRRRQAUUUUAFFFFABRRRQAUUUUAFFFFABRRRQA
UUUAFFFFABRRRQAUUUUAFFFFABRRRQAUUUUAFFFFABRRRQAUUUUAFFFFABRRR
QAUUUUAFFFFABRRRQAUUUUAFFFFABRRRQAUUUUAFFFFABRRRQAUUUUAFFFFA
BRRRQAUUUUAFFFFABRRRQAUUUUAFFFFABRRRQAUUUUAFFFFABRRRQAUUUUAF
FFFABRRRQAUUUUAFFFFABRRRQAUUUUAFFFFABRRRQAUUUUAFFFFABRRRQA
UUUAFFFFABRRRQAUUUUAFFFFABRRRQAUUUUAFFFFABRRRQAUUUUAFFFFABRRR
QAIFFYuq+llstQTS7KyuNQ1WSMyJBGnqIvOHkkPyouQBxluFagDXlmgjghm
mkWOKNS7u7YVQByST0FcuPH+m3ty1voNnqGvOGZDLp0la3VwMITO5WMHBB+9

3HcgGRPDD60lrjxd9m1CSNi0dhGCbOHll+43+tbB+84wOqqnOemVFjRURQqq
MKAMACgDmDD4y1ZcvdWGGQsiEJAv2y4znLZdgsanGBgK4zk5l4q3beFbNwAT
Ubm91eVjknUJvMjByCCIQBECCEBHPNbtHagLiRxpFGscaKkaAKqqMBQOgA
p1FFABRRRQAUUUUAJVLUNOTUujBuLq3kibfHLbTNGVPuPuuP9lgynuKvUUAc
6dW1HRZ4otajjmsXbYNTgwix8DHnIT8uTkBILAnqEzXQ1Bd2sN9ZT2dwm+Ce
NopFP8SsMEfka4qy8cS6DE1l4s0vU7L7KSr6mY2ntTH/AAM0yqBk8DGM5lzy
TgHud7SVQ0rW9L1y2FxpD/b3cRVXJicEqGGV3Dqpl7HBq/QIWiiiGAAAAAK
KKKACiiiGAAAAAKKKKACiiiGAAAAAKKKKACiiiGAAAAAKKKKACiiiGAA
ooAKKKKACiiiGAAAAAKKKKACiiiGAAAAAKKKKACiiiGAAAAAKKKKACiii
gDiviQB/Y9sc/wDLY/8AoJrd8KDHg/RAOP8AiXwf+i1rC+l5/wCJRa+nnH/0
E1veFgR4Q0UelhAP/la1Md2N7116KKKoQUUUUAFFFFABRRRQAUUUUUAFFFFAB
RRRQAUUUUUAFFFFABRRRQAUUUUUAFFFFABRRRQAUUUUUAFFFFABRRRQAUUUUUAFF
FFABRRRQAUUUUUAFFFFABRRRQAUUUUUAFFFFABRRRQAUUUUUAFFFFABRRRQAUUU
UAFFFFABRRRQAUUUUUAFFFFABRRRQAUUUUUAFFFFABRRRQAUUUUUAFFFFABRRRQ
AUUUUAFFFFABRRRQAUUUUUAFFFFABRRRQAUUUUUAFFFFABRRRQAUUUUUAFFFFAB
RRRQAUUUUUAFFFFABRRRQAUUUUUAFFFFABRRRQAUUUUUAFFFFABRRRQAUUUUUAFF
FFABRRRQAUUUUUAFFFFABRRRQAUUUUUAFFFFABRRRQAUUUUUAFFFFABRRRQAUUU
UAFFFFABRRRQAUUUUUAFFFFABRRRQAUUUUUAFFFFABRRRQAUUUUUAFFFFABRRRQ
AUUUUAFFFFABRRRQAUUUUUAFFFFISACSeOtAGB4g1ieC8sdE0uSMapfscM6Mwt
4VBLynCkZwMKGIDMR6Grui6JZ6HaGG1DySvz3U7b5rh/wC/lVj+gGAAAAB
yvw+WPW9Q13xq0Q/4md0bewk4P8AocPyKVyNy72DMQfReOK7ygGLiiiGAA
ooAKKKKACiiiGAAAAAKKKKADAooooA4/wAaWq6YkHi218yObSpBPelbwq7X
VsAVdCCyJ5VZmBJ+XB4NbmjeldJ8QWY3GI3qXEbIsi4BUID0bDAHGQRn1Ujq
CBp0UALRRRQAUUUUUAFFFFABRRRQAUUUUUAFFFFABRRRQAUUUUUAFFFFABRRRQA
UUUUUAFFFFABRRRQAUUUUUAFFFFABRRRQAUUUUUAFFFFABRRRQAUUUUUAFFFFABR
RRQAUUUUUAFFFFABRRRQBxPxl/wCQTaYz/rW6f7prf8LDHhHRRxxYQdOn+rWu
f+JJH9IWyOP9a3P/AAA10Hhb/kUNF4x/oEHH/bNalbsb6GvRRRVCCiiiGAA
ooAKKKKACiiiGAAAAAKKKKACiiiGAAAAAKKKKACiiiGAAAAAKKKKACiii
gAAAAAKKKKACiiiGAAAAAKKKKACiiiGAAAAAKKKKACiiiGAAAAAKKKKY7
rHG0jsFRQWZicAD1oAdRXL3Pj7Q4NYj06KV7r/n4urfa0FoOcnK+QFBllYmj
lwchFa+ia7pviPS49S0m5FxaSMYq+XkOVOCCrAEHI7igLM0qKKKACiiiGAA
ooAKKKKACiiiGAAKw/GU72vgjXrmJsSQafPKn1WMsPwyKm8Lzy3fhLRbmclJ
pbGB3EabFDGNscLgYGe3agDXooooAKKKKACiiiGAAAAAKKKKACiiiGAAAA
AKKKKACiiiGAAAAAKKKKACiiiGAAAAAKKKKACiiiGAAAAAKKKKACiiiGAA
ooooAKKKKACiiiGAAAAAKKKKACiiiGAAAAAKKKKACiiiGAAAAAKKKKACi
iigAAAAAKKKKACiiiGAAAAAKKKKACiiiGAAAAAKKKKACiiiGAAAAAKKK
KACiiiGAAAAAKKKKACiiiGAAAAAKKKKACiiiGAAJ1zXofD9ut3eWty1iMm4
uogrJbLkDc43ByDnqqtjBjwOa1AcgEHIPQiq9/aC+064tfMMRijKrlqgmNsc
MAQRkHBGe4rnfh5reo634VvtYUDVLK4lsbshSu6SjtpJ7ZPBO0lc5xjoADrK
Siq97fWum2Ut5e3MVvbRLukllyKqj3NAFiiuf8L+lrvxJFdXh0I7PTN//Evu
pJcm8jyR5nl4DIDgEZ6hga6CgCOWaK3haWaVI41GWd2AAHuTUdpfWuoRNLZ3
MVxGrmNmicNtccFTjoQeCDyK4/8A4SFvGXiTUvD2jvdWtvpEqi91JflzKGwY
UXIJ4DfMQQCvQggnr7OxtbBJFtYViEj+Y+3+JsAZPvgCgCzS1U1DUbLSbCW/
1C6itbWEZkllyKq84H5kgAdyQKz9I1XUNYUHuBYC10nANvLMWE1yCPveWQDG
M5xuySMcCgDboooooAKKKKACiiiGApKXtWVY6/ZahrUq6PAZDd6X5P2gMuF/e
qWXae/AoA1K4vxxcSa1LD4I0+cxXmqwtJeTLybazHDtjPVjhB25OeldZe3kG
n2FxfXUgit7eJpZXP8KqCSfyFct4B064e1u/FOpZopa+63OwnP2e2x+4h7D5
VPJABJY5zjNALudTY2Vtphb2NnEsNtbxrFFGvRVUYA59hVmiigAopjusaM7

sFVRImY4AHRsRypNEskTq8bqGVIOQwPQg96AJKKKKACiiigAooooAKKKKACi
iigAooooAKKKKAEorH8R6pJo2nwX67TFHdwpODnmN3EZlwDyN4YDvjHUitO3
uYLy2jubWeOeCVQ8csThldT0II4IoAmooooAKKKKACiiigAooooAKKKKACii
igAooooAKKKKACiiigAooooAKKKKACiiigAooooAKKKKACiiigAooooAKKKK
ACiiigAooooAKKKKACiiigAooooAKKKKACiiigDhviVj+zrIZIG+Tp/uGuj8
Mc+EtGPHNjB06f6ta5r4ln/QLL03S5/74NdL4Zz/AMlpo+Rz9hh/9AFSt2N9
DWoooqhBRRRQAUUUUAFFFFABRRRQAUUUUAFFFFABRRRQAUUUUAFFFFABRRRQ
AUUUUAFFFFABRRRQAUUUUAFFFFABRRRQAUUUUAFFFFABRRRQAUUUUAFFFFAC
UZorj/8AhL9A0i41WzttSlvruG4Z545bj5IXbkoJZCEUAg/ICSvIA7UAlfY7
DmuO8SfEbStFzBT0fWtWkn+zR2VkwEucbZH6R4OAc/MMjjFcXqPjq412Fm
vbi60+1Vx5dppjNmeNh955gVdSMHhcYJGVkHFc6b1f3moz3MGIQQwpHbieT7
QrloxhgBvlJH95dgxj0pXRqqT6noFp4w1bQLK5l8RX9lqmpTu+yy0wKlBjKx
mJ5OWGcjLMCFIOSBiuU1fxZq2v6ktpELu/nkXbDYWu+1gALD5m8t2aU4x8xK
xr/tZqhFRKPKkurq+urhpS8kkkfITKCBgRi2dhB4ZyOOCOKzDqdu+nSXD/ZF
0oPiayt7xkWTccZmmQ+ZKwGQWY467QM4ptmkaasbcGdS8RjRfD9hJeWbyi11
BbWtybONOCu4h6sACQ7OrNjATdzXRaL4dn8Ra7D5csaaFpNzGwngQpHLPEc+
XaqzMERWyHmADPggM/M1Jp3w4k8SXC3etrLbaYsm63sNgiVlzzshjGDbrwuW
4kfusRyD6lbWtvZW0dtaQRwW8S7Y4okCqg9ABwBRdmUpdieiiigzCiiigAoo
ooAKKKKACiiigDKu47HxLo+raSbgNHlsthdfZ5AWiLJgjOCA21wcEcZFaKIk
ESoirHEi4UDgKB0H0rk/C5nfx40YSf6Ct3bRrRKMksGt0aRvTJ3Ln/d/Nvx
SvZbH4Z648CF5JoBbKozz5rCM9PZjQO13Y7GiuafXqLW0WiaJN572st7nVb
pyxhYKBkAg+bJ3IJAB6ntWb8MSLvQtQ1pbqe5h1TUZ54HuCpkEany8Nt+UfM
jtheMNQKx3FFFFABRRRQAUUUUAJRXIeKvFI/Y6zY+G/DtnDea/eKJ8XJKwW9
uGwZHI5OSCABz1PoGqatqfilwlc6PqmrnDe6RK8dnqaRWgQQO+Qs6nOQu8q
rZJ46DJ4B2O6orD8SeJlvD8Nqkdu99qV7MIblT4mxJO2RuI7BVXLMxwoA5ly
K17i5htLaS5upo4IIILySSOFVAOpJPAHvQlljq91NY6Pd3VuoaWGlyAFd2c
cnjlzx2yB6kdQaRq9lrulW+p6dK0tncKWikaNoywyRnawBxxxxz16V55430e
Twxo2q60mt6tLAQsVhpMEpjiSR8lq4UjeMknBHPfceaBpXO3vvFeiaTo8Wp6
pqMFnBLCJIErjcykA/KoJLHnouataPqh1eya6+wX1knmMiJexCJ3Ufx7MIIB
5wGAPHTGM894f+Gvh7Q7j7dJaJfakXEpuLiNMI4xzHGOCiQRwQN3+0a7GgHb
oLRRRQIKKKKACiiigAooooAKKKKACiiigAooooAKKKKACiiigAooooAKKKKA
CiiigAooooAKKKKACiiigAooooAKKKKACiiigAooooAKKKKACiiigAooooAK
KKKACiiigAooooAKKKKACiiigAooooAKKKKACiiigAooooAKKKKACiiigAoo
ooAKKKKACiiigAooooAKKKKACiiigAooooAQYrxqPVJ/Cni3xzpWmNOLzVb+
3GmwhVcrcTRlpZsH5doyDyf4RnAya9lqo+l6dJqcWpvYWrX8SeXHdNCplRef
ID4yByeM9z60DTscd4T8b2EPH02mv6zEdY02WS0vEdg0sjxnkqi8uMY5APQ5
5BrMtrC5+KI++o6hO0fg+GYLaWC70N6FHLyYIBXfjHUfLgY5Ldjd+DPDI/q7
6reaTb3N1IBvM2XRiBgMYydhYAAbsZwMZreoHddAVQqhVAHAHAHSilooJPKv
hNr2h6R4R/s3UNRgs9WW8uPtSXkvlyTS+YRuCuc5wFBGAQRyOcnobzxx9unj
0/wpbrqWoOG83zUljWzXu2+aNnyklWwjMpcBwwyDWxf+EPD2p6qmp3uk28t4
vWQrjzOAB5gHEmABjeDjtOysbTTbRLSxtYba2TO2KFAijJycAcckkn60lp
tPUwR4Nt766S88RXcmtzpnZDOiraxZzkJAOCOeC5duB83FdNRRQSLRRRQAUU
UUAFFFFACVwc0jab8crZnZ4bXV9EaGMKDsuliKQv82ONyxlsE9jgelaPiiaa
y8SeGL1r+6trEXL28iRZMc0koVY1kaONv3sEg4bbyM8s+Imnmfwz/attGDf6
NKuoWzAfMNhy4HyPyU3AZUjO09qBo0PGdhY6j4O1SHUvtBskh8+UW4UyMsRE
m1QRg52Yx79R1rXsrpL6wt7yJXWoeJZVDjDAMMjI9ea4fx7fDxH8LEGm3CxP
rrWltsz4AM0qAg9D0LAjGeDkda74AKAoAAHAA7UCFrnfE/jPTPDEaRSI7vU
5tottMtfnuJic4lQc7flbLdOCOTgHD13x1c6leXhH3wTC1/q5UK2oKqvaWRY

kEyPnqArEDByR0YgrWv4W8F23h66u9SubqTUtavT+/1CcfNtzkRoMnag44yT
wOcKoAO1tyCy0DVNecX3i19kZZZINft5swW5H/PR1CmZuxBynJ4PGOUooooEL
RRRQAUUUUAFFFFABRRRQAUUUUAFFFFABRRRQAnFc5a2p8NapMke5dCuyHRBs
CWc7PhgAMHblzg/xYbd90EV0fWggEEHpQAUVyI1cT+C4jcSNNdeHgw8zPzPp
yf3h1aSPJ5HVfHcDA6IHWRFdGDlwyrKcgj2oAfRRRQAUUUUAFFFFABRRRQAU
UUUAFFFFABRRRQAUUUUAFFFFABRRRQAUUUUAFFFFABRRRQAUUUUAFFFFABRR
RQAUUUUAFFFFABRRRQAUUUUAFFFFABRRRQAUUUUAFFFFABRRRQAUUUUAFFFFABRR
PhjSScg/Yocg9fuCuU+J3FnZYOP9aM9B9yus8P4HhvS9qGMfY4sITkr8g4qV
uxvoadFFFUIKKKKACiiigAooooAKKKKACiiigAooooAKKKKACiiigAooooAK
KKKACiiigAooooAKKKKACiiigAooooAKKKKACiiigAooooAKKKKACiiigAoo
ooA4fxdq/iuPxP2k+G7CUxmJp7i6e33RNncqx+YSFUjG49+UxkZB5E/D/xV
qqveS2Wm2txcjNz59xtllfu7KiSxKTgH5OPYGu5vvFk9r8R7Hw2tvD9jk097
yec72dfn2LgKCFUEHLMQOeowA3TywRzGPzF3BHDqMnGR0JHQ46jPcA9QKC1N
x2PN4vhbc6i0EuraykKJD5SW+m2ccKomcheV2kDJ/gB57Y50b74fxabpFzc+
HoYbjxCOBw51NtyQsXHzJGB5cbKudpVByBnOTnvBXNnxfbt47j8K21nPcyrb
tNdXMZxy7XgFVYZzz/VcZ52guaTOJ1P4Zelp0inTUdO1K+lizcvqgLrHMerl
Cjq6jkKrlAvUdQF7LT/A9hHqo1nV5P7X1fbH/pFxGBGjIbh44h8qtKZ3ckZO
CAcVh3fxQS38TJYpaRzWMEk9veyxOTIkyuVjRAwXccL8wAlBbAY7Tuhvvi5H
BqM9ta6BeTC0jE10kr+VNFEMF3MW0IQoPVyqPHOCDQU1OR6XRiq9leQ6jp9t
e2z77e5iWWNh3VgCD+RqxQZhRRRQAUUUUAFFFFABRRRQAVV1C/t9L0261C7c
pbWsLzysAThFBYnA5PAqyKKAOP8AhpYvD4SGqT4F1rtxJq8yq+5UM2GVRwOi
BB9c10upabZ6xp0+n6hbrPazrteNsjPcEEcgggEEcggEYlqtoXiHTPElJJe6
TctcW6TNCZDE6DeuMgbgMjnjqOOvpWpQBz2qWB0LwFqVpoEEqzW+nyi0jiLPI
XEZ2YPLM2QMd+IRfDxbVPhx4dWyMRI/s+EkxEYL7Rv8Ax3bs++a6as7WNast
FthLdzKJJdsggDDzLh+yRr1Zj6CgDSorn7eTxXc3khmh0mxsyv7sFpLibP8A
tAbFHrwT6c9ati21xxlsmqWSqzfKYbFg6Lx0LSsC3XkrjccYIBNqmsWOi2q
3N/OY0eRY41RGkeR2OAqloLMfYAnrWaPEWpmMyHwlq6LxhZJ7QMSSOB++x37
nrxWla6VbW1wbomSe7ZdhuJ33tjrgdlBPZQBwOOBvm5tbe8tntrqCKeBxh4p
UDKw9CDwaAMSHXtadJDL4R1GMhcoPtVqxY5PB/e8cYNPPiK6jy1x4a1qGNV3
FwsEuPbbHKzE9egPT6Z3QKRvVFCqAqgYAHAAoA810nxNot78UtcvdQdbJ7PT
baGze+jkt2WmszSEiRVcs6DnkgDHGa1r6707xvr1tpNjKs8GjXdtqNxdwur
lrqXKRqf7xZRkgEbd4yDiuk1TQtL1tYxqVjDcGIMI3ZcPGGGDtYcrnA6EdB6
CsfV/B1gbKA6LZpp11aMWtXsQITCxPzMqjCH3Vhhh8p65oHdMzfG1/Jo/jPw
nqklrdy2EAvEuJLdSRGXRAu/jGCc8Eg5GQTgghS6+lcs9vd2t3Z+FfLTCyL5
Ml6/mK4OGG4R7VAP3fvnk/w2tO8YCy0OC/1y6gexkYpHqaL5SyAEqGdSflJ2
knHQnGOK3LDxJomq3gs9O1eyu7kw+f5VvOsjCPj5jg8D5l/OmNmIBBDbW8dv
bxJFDEoSOONQqooGAABwAB2rhfZ/wCEi8ceHfDtrC0g065j1e+uVYFbZY8m
JSM/eduPUKSQCCSO9rE0Dw//AGNLqd3cXQvNR1K6NxcXPkiPgDbHGoGTsRAA
ASeSx70hI3KKKKBBRRSZ5oAWiiiigAooooAKKKKACiiigAooooAKKKKACiiig
AooooAKKKKACiiigAooooAKKKKACiiigAooooAKKKKACiiigAooooAKKKKAC
iiigAooooAKKKKACiiigAooooAKKKKACiiigBKKK5jxL480Tw1KlpNN9r1SR
ISLTrVlad2bAUbsRJORjPJ7A4oBK509FcSo8d69bnMlp4eheUIT5QluFj4Kg
jcyHIJU8qQRkehe3gvVjJ5SeM9XjsWUlo1O6bzMkgrKxJC8424P16YB2R2dF
cC0Hj/w1DPdi+tfEtrDGW+yvH9nnlVeAm1W3MT13E5wMcnFdP4Z1+38T+HrT
V7ZHjS4U7o2ziHBKuucDOGBGRwcuA0bFFFFAgooooAKKKKACiiigAooooAsi
uf8AEXjTRfDLxQXtw0l/Pt8iwtX5lxNubaNqdTzn64OM4rKstK8VeJo1uPE1
4+iWwlLJpelTFJSolwJrhWJPFiPbkYOC8AC3U7H7RCZzAJkMwG7yww3Acc46
45H5ipap6fpljpVuYLC0it42O5hGoBdsAbmPvmwoGTknFXKAMq+12DTJct5b

XqhtmljeG1kmRgADuZkUiMZOPnK9CenNZ1v478Pz3otJdTsbavIUoJdQtiXLY
woCyE5II7YOeDXS0UAQI4V4jJEryccKBgnnHfA7GISZjuLwSoAM5O059hgk1
NRigDOttD0i81GbTrXVrGe+h3ebbRXCnkMdg7lByMHg5rQqrqGm2GrWptdRs
ra9tyQxiuYIkTI6HDAiuWTwxrfht4f8AhFdTaawVsPpWq3DPEiYUARS7WkTA
UgKSV+bPGMEA7SisjTtR1e+0+KafQzp9ySFmt7q6Q7TgElGj3hlySBnaeOgz
WmhIIIG9EU45wxP8AQe1AEIFJS0AFFFFABRRRQAYoxRRQAUUUUAFFFFABRRRQ
AUUUUAV7q0t76FYbmlSRrJHKAezo4dD+DKD+FWKKKAPKNU0aTSvF/hnwtHJC
mjXesvqtjHHGAbfylzI8OBgBS53KRyMkH33Nc0zxv4i1p7KG9i0TQUbBntps
3My9cjApyyvHzKAG5D/drpYLrTdZu5reWCB7zTLjcYZjG8kDchJMAuS3LkqT
gkHoK1e1BXMZHhvw3pnhTRYtK0m3EVunLMeXlfjLue7HA59gBgAAa9HaloJC
iiigAooooAKKKTJoAWiiiGaoopOaADtRWJ4f8RRelptTe0iY2VpdG2iuOCk5
UDeVIJyAxxnA/HnG3QAtFFFABRRRQAUUUUANZFENkdQysMFWGQR6Vj6C725v
NKe3miSxkCwPJH8yJuVIOc8crg4xt71s1zlp9og8famHgvHhurK3McuwmGP
yzlCNxwAxL/cGTwScZoGjpKKKKBBRRRQAUUUUAFFFFABRRRQAUUUUAFFFFAB
RRRQAUUUUAFFFFABRRRQAUUUUAFFFFABRRRQAUUUUAFFFFABRRRQAUUUUAFF
FFABRRRQAUUUUAFFFFABRRRQBwXxMJSysXgjzchGcfJ/P36iur8PDHhrSI9
LOlf+OCuT+KH/INsiP70n/ofdboJz4d0w7t2bSL5sYz8g5qVuxvoaNFFFUIK
KKKACiiiGooooAKKKKACiiiGooooAKKKKACiiiGooooASiiorieO1tpbi
ZtkUSF3bHRQMk0AYd14st7fxtZeGBazyT3MLTNOlrsi4YqCM5yQjduMr68dD
Xg9+8b6RF8Qb4mO5v/EFu1pFBOWh8uOQKGZigblI3GCQvQgAnbXvFBUKlsLR
RRQSFFFFABRRRQAUUUUAFFFFABRRRQAUUUUANHA6k806iigAooooAKKKKAPK
/iJqllY+KLVGkWMm2CanKsSrKlJxTMcu0spVt7EKMkn1GAR3Ws65b6LpWoN
A0NzeWfK139je6CyNGoPJJyQDtI3Ede9Y3jTwxJr7rqGnXCQ6hHA0DxTZMNz
FyRG2DlcMchh6nlbjHk92bZvAdpf2NzqMfjG5uf7H1COecGSSRyAwIVxygAA
AGPvDcWINFzRKLSPUbr4qeH7a1SXyr+Vgm+4SK3yLX5cne5ITjfkKxyRxmuV
S81bwV4OW6uLiGPxL4juZLyd3tsvFGQDgBguNgYHDA7WcjaRkjpX8LNLGwtT
/bbttFhZZv7HZi0L3CgBZGJOW4HIOckDnaNpzfjBPctHodlbeTFIZpbyKebl
XzYoztTOep3n8vY0DjytplwfbGmLeXJ8MJHHNEI6dR1WcPnEQAEuSow+9tx
Kt8uwPjORj2SGxtLcW4gtoolt4jDCsaBRHGdvyqBwB8q8ewrB8BPoEvhiKbw
8H8h3ZrjzuZ/P/j87/b6e2MbfI21v3d7a6fbNc3lzDbQL1Imclo/E8UESd2T
KioioihVUYAAAwAKWuf03xhp2ra+dKs47lz9nNwlyUAikQMFyuTuKkk4fbsbB
2scv0FBItFFFABRRRQAUUUUAFFFFACVT1a9/s3Rr6+2b/s1vJNt3YztUnGch
HT0NXK5v4g3EVt8OvETy5EZ06aM4lByyFR146kf/AK6AlfhtbG0+G3h5D1ey
jl+9u++N/op73Tt05rqq5/w9K9laaRozQeX5elRNxj5SoVSpA4HUfr6VT1zX
b2916Hwz4cuFW+GJNSvBEJV0+Aqducnb5rnG1SG4yxXFAHRXs88VrJ9jiWa7
IxHGxwuTOLHsowST7HGTgVS0zQYbC9m1G4ma91OYbGvJkUOkec+UmBIYweQu
TyckmremafHpdhFaRzXE+wfNNcymWWQ92ZjyT+gHAAAAFygBcUYoooAKKKKA
CiiigAwKKKAGPGkm3eitlYbhnBHQ1yejp5nxC1oss7rZ2dva20r5ZQpyzq
GydzbgpJbnp7k9dXHahF/wAlx41HiDzANK1ZI7TUC7HEEy8Qy89FOTGegyUP
rQho7KjFJS0CCiiiGooooAKKKKACiiiGooooAKKKKACiiiGooooAKKKKA
CiiigAooooAKKKKACiiiGooooAKKKKACiiiGooooAKKKKACiiiGooooAK
KKKACiiiGooooAKKKKACiiiGooooABSUVna5rVn4f0e51K9IRloY2cK0io
ZGAJCKWIG444FAHNeKvGF5Z3Vv4f0pETxBqLslqjAv5cfzKJmGMAZUt/EAoJ
wThTreEfClr4U0ryl3a4vp8SX19KS0lzLjliTk464HbPrknC+G9jfajBP401
yKAaprMcZgWlcQWgAKKuckbiS55OfI7iu97UDemiFoopKBGL4s1weG/CWqav
uiElrbO8IkBktJjCKQMEgttHUdeoqh8ONhfQ/h/o9nMgS4aHz5l2gbXkKcJA
AHG7H4VgPbx/Ebxy5mKTeGvD021UDPsu7wYJJGApEeCP4hz6Ma9loG9FYWii
igQUUUUAFFFFABSUUySRlo2lkdujRSzMxwFA6kn0oAfXO6pdaxrBW08OzwWt

sykzas6iULITtWFM4ds4JYkKBwNxyFhsr+58X+Tc2q3djoSuWErExS32GBRo
yp3LCcZycFwQMbSc9MiJGgRFVUHqKMAUBsYugeFdO8O+ZJbNc3F3MipNeXcx
lIICkKzJ4HJJOAMkknJOa3MUCloC9wooooAKKKKACiiigAxRRRQAYooooAq3
2mWGpxRxahZW13HHIJUS4iWQK46MAQcEZPPvU0qtJC6JK8TMpAktG5TjqMgj
I9wRUIFAHMaH4huH1nU9B1uazXUbLZJHJEjQrcwuuRlqMT0IZThmwV7V01Ze
r6JbarBK6rFBqX2eWC21BYgZrUupXcjdR1zwrWN8MdQbUvhroUrRiMxW/wBl
Kqcg+Sxiz0HXZnHbOKB+Z1tUbLWNO1G8vbOzvYZ7ixkEd1FG+WiYjIBH+eQR
1Bxznjfx/Y+D4liYCa7dd+wEHy15Clhke7iMAd8H0qH4d+Fr7R7e+1vW5A+t
6wyzXCKoAgXkqnHVssSxHGTgcKCQfLpdncUUUUehRRRQAUUUUAFfffACUhoB
knj1pRzXN+OdfsPDnhC+vb/zTG0ZiRlFvO7A4A6Y6E/QH6UAdDFNHcQRzwSJ
LFlodHRgVZSMggjqMVJUFpbRWdnDbQxrHFEgRVUYAAFT0AcL4KX7X418d6vH
tEEuoQ2QXOW3wQqrE4OMEsMd+ua0dX8faJpd8+nQm61XU4xmSx0qBrmWMZAJ
YLwuM85IPtyKrXXw30a6u9Rk+1apDaajKZruxgvGjgmdsbywXn5sc8/TFbEF
jo/gvw3cHTTrCG0sLOFp3jgCqX2JyxZiNzEKPMY845PegbsU/DHi3/hltS1mw
fT5rKbTZYxtlJy8ci7kYgqCrYByp6cc810tcT8L9PITwuddvoo11PXpTqFxl
vJKuSYlzz8oQjA7bj3zntqAdr6C0UUUCCiiigDmfF4ubqKw0yLUn0uG8uUSW
8SUJlWbZ5MwCG8x8dQMBQxPTBzPD8c3hzx7deGYr24utNurFtTjF5K8ssUnm
hHVXYyKHcDgsSGyf4sk+l1w1hceD71CyhPEFvE7biqqkiSKxJ9Of6d6s+Gbi
fXvE+ta2xmFhbSvptiCwCSBCvmuAEGR5i4DFm6NgL3Cuhua7r1n4e037demZ
kMiQxxwRmSSWR2CqKOWJJ6CtCJ2khR2jaJmUEXuRuU+hwSMj2JFYpJpw7J4
n8NTWNtOLA+jdLiyn3ECKeM7kORyBkYyOQCSoCvSXQfE2p3ty2telFl051Ma
2OmxqokGF+YyMu9f4sqGPb5uolLodHBqVndzzW1pdRTTQkrKlZvETDHyvj7p
5+6SCefQ1wvjDUPFmk+Doo7m7shvtSIWzkayt5QYmlARVgG8EkEk72Yc446C
uwZE8O6PbW2k6LcXMEOLO7ayaJSi4PzEyugPTnkkk9+TWPBomsax4r0zXdZF
vZW+nQMbaxt5TK3nyKyu0j7QMBTgADk85GMEBPUs+DdN1rRPDtlpeppppFpG
kEZs3fiNVxk7l+ZsgZ6Dk+nPSUUUCuLRRRQAUUUUAFfffABRRSUAFLWR4Y1Y
a54Z07Us/NPApkHmK5WQcOpKgAkMCDgDkHgVr0AFFFFABRRRQAUUUUAFffFA
BRRRQAUUUUAFfffABRRRQAUUUUAFfffABRRRQAUUUUAFfffABRRRQAUUUUAF
FFFABRRRQAUUUUAFfffABRRRQAUUUUAFffFAHB/E8gaXaZ/vSf8AoFdZocTQ
6BpsUhBdLWJWIPIUZ681yHxSBOIWM3Gf3oz/wAArtdP2HTbXy1KoYU2rnOB
gYGe9St2N9C1RRRVCCiiigAooooAKKKKACiiigAooooAKKKKACiiigAooooA
KKKKAERh/Hdx/a89I4OtboxzakwN4sJIW1ydxVshVzhupOdpGxwTjuBXDeC
IX1zWNU8ZXJikF07WmnNGXAW1RyAdrHKsSOQQMFTwNxoQ13IPilFb2nhPSIU
hiW2i1WzRYRGcNgbG1ey8D0I7V6DXBf3YvgYTtAsxgv7WRI2OAzeaoA6jjn
nkcZ5HWu9o6B0CiiigQUUUUAFfffABRRRQAUUUUAFfffABRRRQAUUUUAFfff
ABRRRQAictJ4B0Z/FMevL5yOswuWtBsNvJOAQJSpUnd827ggbgGxuyT1NFAJ
tbC1Vv7C11OxlsryES28owy5IPXIII5BBAlwQQCCCKtUYoA80ufhTLb6hLd
6B4iudP80Hf5gkZzzwpkjljZlAwBv3ketNh+GWqz3Ep1PX45w6rH9sEMhuvL
DbtqO8h2Dcc7W8xeAQBxplFBXPlztl0PT9CtmhsYSu87pZZHMkysz3ndiWY9
uScDAGAAK0qQUtBIUUUAFfffABRRRQAUUUUAJXFFfa68r4f3tnG2LnUnjsb
dA5UyPlwBUYlidoY4zg4weDiu1rhviVd/YoPD11PDdNptvq0VxdSW8sabNis
Yw5klQIZNgJZgBwM5loGtyUX+oTQeNLq3nMV5DMbOwO1G2OIE2AdmJkkzh3
APAFbvHVQLTw1okNhaqzN/rLieQ5kuJm+/K7EKlmPOc+gHAFcfbNYDQP+E78
Sx3cdraySXdlpj7tsBLsEfY2N8zlyVJwF3qFAxuOlqPjbW4POWx8DaxM8ADu
blkjUr32mPzC5GR8qgk8+IDC3Y7Wlrz9dc+Impqt1Y6DpNhbHZiK9lkkcHH
OV2IDzgg6DbtOSe2pHd+PJJpH/snQl4fL2pHJfzbt+fvbhEcrtgH6UBY6ui
uYjn8c75XksPDuzGI4lvZ85z1L+V0xjzbz6it22+3GaQ3P2dYtihFILE7udx
JOOD8uBijB5OeAVi3RRRQAUUUUAFfffABUF3aQXtrJbXCB4ZBtZc4/l9iOol

5BGanooAaBgAc4x606srSdZTU7jULVojBdWNwYpYi6sdpJMb8E4DLhsHB56d
M6IAC0UUUAFFFFABRRRQAUUUUAFFFFABRRRQAUUUUAFFFFABRRRQAUUUUAFF
FFABRRRQAUUUUAFFFFABRRRQAUUUUAFFFFABRRRQAUUUUAFFFFABRRRQAUUU
UAFFFFABRRRQAUUUUAFFFFACdq8j+IOsTaxf3cWnSBodFdbeJQiydpdahNhI4
sN8hKZyeDjJHfjsPHniK60bS7Sw0or/bWr3C2ViW5EbN96Vh/dUc9+SvGK5W
Pw9b2HijwZ4Gt3L2ekwvrV2wGDPMrbUfqSB5jM2CSMYHOKCo6anpOkaeuk6L
Y6akryraW8dusj/ecloXJ9zir1JS0EiVynjrVb23sLTRNHcJrGtzG0tpN2DA
m0tLMOQfkQEjBznb16V1dYHi7w6/iTSlorW6+yahZ3CXllc7dwjmtO0kdwQS
CPQ96ARf0PRrLw9olnpOnxhLa1iWNOAC2ByzYABYnJJxySTWhXMeCfFeniPT
rmC/hS21nTJ2s9QgVwwEi/xr32N1BI9RzjJ6egBaKKKACiigAooooASuE1p
/wDhNvEyeGrdw+i6c3m60yNxK/8Ayzt855BOWcY6KBkE87Pi7XJtK0+Gz07E
mtam5ttPi3AHeQSZDKH5EGWJwRwB3FXPDmhw+HdEg0+N/NIHz3NwQQ1xM3Mk
rZJOWbJ6nHAHAFA0ayqqqFUADAAHSIxRRQISiisnXvE2jeGLJbvWdQjtlWY
Ku7LMxPooBJ/AcUAa1Feer8YdAmmkjtrLULnYu4GEwMWHsvm7hn3ArYs/iP4
UvrNbqDvVZSB8oicsCe2AD074oHys6qlrMtPEWi6hcG2s9Xsbi4ALGKK4Vnw
Op2g5x71pUCFopKoaAFopM0c0ALRRRQByPiHxdd6Hdwzf2Y50iG+W01C6kJX
yldEZZk7GNS+GJ6EEY71uQ69plx9zocV4h1O2iWeW2wQwRujDlwRyM4zjz
1FWL2xs9Ts5LO+tYLq1kADwzRh0bByMg8dQD+FcRq3w6mils7vwrqkml3FIG
VhWeWa4GMYWNTI7LGnsI2HTjgCgaszvnYpGzKjOQCQq4yfYZ4/OvFvB3jSPw
t8JtC0ywgBUPEN00sdvZxjcEd5pCDIQCADqVyG/3RIluaafiXYyXGYNWmGHU
pcTWrr5jJgOjYJwvDAZ2nBBAJxV34ZeHpLKWfWNT03UpdWmuXi826gEYt0Pz
My72DtuYnLYyT0ULyUXypK7NDwT4Aksrw+I/Em26166HmyRyBZFt5CSSynGN
2No44XBAJHNehUUUyG29WLRRRRQIKKKKACiigAooooASvO/iPdxanqugeFYs
STz6ja3FxDswTAHYkh8jBxFleMnC9sjPolQGytTfLem2hN2sZiE/ljeEJyVD
dcZAOOIAIsUUUUAGKjmgjuIJ4klhkUo8bqCrKeCCD1BqSigCnppmm2uj6bD
p9kjpawLtiR5WkKr2AZiTgdAM8DAHAq5RRQAUUUUAFFFFAFa9sLPUrOSzv7S
C6tZMb4Z4xijYORISMHBAP4VPHGkMSRxlqRoAqqowFA6ADsKdRQAYooooAKM
UUUAFFFFABRRRQAUUUUAFFFFABRRRQBnWGmW2I3Nz9jieOK7la4IUN8gJJ+z
gDyC2ckDj5SeCTnQqlezLHcaepkRWluCiK2PnPluSBYOcAnjPQ8dxdoAWiii
gAooooAKKKKACiigAooooAKKKKACiigAooooAKKKKACiigAooooAKKKKA
CiiigAooooAKKKKACiigAooooAKKKKACiigAooooAKKKKACiigDgPimca
PbEdQZOf+A13FpGkVnBFEhjjSNVvcY2gDAFcP8U8/wBkWuFz/rOP+A13Fqow
zgVZGkAjUB26sMdT9albsb6E9FFFUIKKKACiigAooooAKKKKACiigAoooo
oAKKKKACiigAoopKAOb8Y3Bk06DRYC32nVpRbqFyMR5BllbaQpEe7B69x0r
etLWGxsoLS3VlhgjWKMM5YhVGBkkkngdSc1gaDBNqGuajr10kABJsrHZEAwg
Rjli4JLBM5AIG3Bx1JPS9qb7DOG+MKs3wq1vbGZCFiO1c8jzkz0I4xmu47Vx
/wAVLcXXwx12I9oVcfVXVh3GBkdc/geh3fDV6+peFdlv5JGke5soZmdlCliy
AkkDgde1IOhq0UZooEFFFFABRRRQAUUUUAFFFFACVFcXMNpbSXNzPHDBEpeS
WRwqoo6kk8Ae9S9qzdb0az17TjZ3tra3CB1kRbmLzlW6nIJXlz9M8gkdDQAW
PiLRNTmeKw1jT7uRBuZILIHkjOMkA8cnFaWa5Sb4d+G9Qs4or/TljKp3O1rL
LACcYwNrg7AOFUkhRwMVnH4UaJbkro2o6zokDgebBp13tSVsn5n3qxbg4wTj
Hbk5CtDvKgur60sYjLd3UNvGOOrSyBB1A6n3IH41xqfCjw19nnWb7bPczhvMu
mn2sxP8AEUUCMnvyh6DOaLP4R+D7SIlbK4mO4OxN3JGGYADJSMqnPXp3PbAo
FobM3jnwvChYa9YTEMFKW0wnce/7KZP6Vmy/FPwfAgeXU7hUJIDnT7naSDgg
Hy8VqnwV4VYYf5pMgLFv3lnG/J+oq9baHpFIIZLTS7KBz1aK3RT0x1A9OKB
+6cu/wAXfA8W/wA3Wym1tpJtZsZ7chMcjmnf8LZ8E+clTrLLKRklbSbJHbHy
c54wOvNdilvAjKyQxqV3YIUDG45b8zyfWke1t5ImieCJo3OWRkBBPuKBaHPw
+PfDtxK0UV1dGRV3ITYXAOPoU5OOcdcc1eTxRoUlxFAurWnnSruRDIASMGdj

1JPA6ntnFQnwT4UaNUPhjRSq/dU2EWB/47Sf8IP4S2lf+EW0TB7f2fF/8TQH
uk0firQpN+7VbaEpIlytw3kncemA+CeeMjvkdQaRPFvhuSQRp4h0pnO75VvY
yeOvGe2Dmok8E+E0IKeF9FUg5BFhEOf++ajtPAnhexSNYtFtn8tWRWnzMwDd
fmcknrjr046UD90nxbd4eFuZ4tXtblMgf6l/nnnpXhK89PqQO9Ydz8V/CsJk
jt7m4urpAWNqsBhk2jqR52wED6/1rZHgnwp5axnw1o7KgAXdZRtgDp1HvW1D
bw2ybIIY4kznaiR+IAtdHh+LGMxlydD1oqhwWxbgdicZmycAhj6DnpzUw+K
ekXMjppmm6tqrlwDLYQJKwBAIbG/O054OMHBruaKB3XY4pfiKH+VfCnilG4G
6XSpQmT1yVDHA+n0BpIPiE7oPP8AC/iCNsFiV06coozhQSYwSxJHCg8Hr1Fd
t24o7UCuuxw4+JAitZZ7rww4ij8sg4XTpcFSOu51UDHfJHsTVd/i3pUbup0f
WAh5IZFYDdtyVMoOM8dOvHWvQKKB3XY4lfiRC+0p4X8SPGyF/MSzQqFAzu
JD4AIBwfUEdqqN8XNKhj8yfStTji80xiVjCsZYH7u55F+YAjI7Z79/QaKAuu
xyWm/EvwpqizGLVY0eIFmR+rAf3SuQzHsoJbkcvpr4v8Nsqk69pqFgDskuUR
hnpIWIPI4IzVvUdD0nWRH/aml2V8I87PtVuku3PXG4HFUG8E+FiEA8O6Wqo
chUtUUd+CAMEcng8c0B7oR+NfDUkskf9t2UZjuMsnlrwchBbAPPpSyeKPDF
xbpJ/wAJFpnk+aoV49QRQXBBC5DDPBK9wcEEGnHwd4XIIPhvSCCQxzYxdRwD
93sCcVTf4feGmnM0dncW7HGfTb+4gRABjCqjhVHsABQHum/JdWkVobmW4hW2
A3GV3AQDPXJ4qtZa5pN88sdnfW8pjbN3DZUNIT0YYbqMjORnINYI+GHg8S+
adLkeTdu3yXs7knB7lZ6njt1qOf4VeDbkqZtMnkYADcdQucnHTJ8znHqewA6
AUC0N3VNf0XR9NfV7+/hjtE2DztxdQSxUYC56kkZA9c8Dhmnaf6viSLTZ9O
tlZWD3yKWmXLAhUV8pwFIlEv3a521+FOiaZdvPo97qOmF12slGic49nkjdx7
YbjAxx81DHoPxB0xre2stdsruxt3DZnldJZgSSVdpEnbHIGQ2cf3cYoHZdD0
GivPj4n8c6VHKI/4SN+YV5ntpQEcZlyNu927cCMHuVA6WLD4reG7i4+yXcst
leqMSW8kZZIkAG5NgG/IOR8yrnHSgXKzuaKpadq+navG76ffQXITAcRSAICR
kBh1U+xwau0CFooooAKKKKACiikoA5HxPpV1Z61Z+LdHjeS+toza3luMsLm0
JLbAuD84fBUjHUg5HTotN1Ww1izF3p15DdQE7d8ThsHup9CM8g8irlY0iaR4
fvreVLZbU38kdnviGylMqt5YYZCgnAQHGSSi/wB0UAbVFJS0AFFFFABRRRQA
UUUUAAAAFFABRRRQAUUUUAAAAFFABRRRQAUUUUAAAAFFABRRRQAUUUUAAAAFFABR
RRQAUUUUAAAAFFABRRRQAUUUUAAAAFFABRRRQAUUUUAAAAFFABRRRQAUUUUAAAAFF
FAHKjTIdQ+I76IPukbTLNY7dWc7YWFduZV6ZZSVLDqEA7Vj+FFk1b4o+LNam
GUsVj0m3ddpXA/eOoI5yCVyCep+gHQ+HL231K9129hilQJfNZI5AQH8kBSR2
I3FkxZ+7jPGBh/CJRP4IbWChjk1i/ur+RCSdpaQqBk8nhByeTQyr6He0UUUE
hRiiigDgPG1rJ4a1NfH9hLJ5ltHHA6habQy3NsZAOCsNrLu3BunygHA3Z7i0
uoL6zgvLWVZbe4jWWKRejlwyCPqCKz/E81pB4V1V74Qta/ZJfKsaQRo4KkbS
2RjOcdR1rP8Ah605+HXh9biJ4pEsYo9rgA7VXCngkcgAj60D3R09FFFAgooo
oAKKKSgDHi0Vj4qn1u5nEoFsltaQhWAgGWMjfeILOsoyAMBao5rYoGMUtABR
RRQAic/a+DtJtvF994nMRm1K7CAPMfIt9qbP3fy5UsuATk5xjgcV0FAoAWsi
98KeHNSu3u7/AEDSrq5kxvmns43dsDAyxGTgAD8K16KAOU1P4beD9U0+SzbQ
LC2WTGZLOBYHHp8yAH8DkVmH4S6BAxOk3mr6ODg4sLwr8w/iywY5x713oooG
pNHDn4dXAVEj8ceK1VEKgtfBmJznJO3nr6Z6cill+H99JeJKvjrxOliH81Dc
JuYnptIQBcZP8J7Yxiu3FFA+ZnDH4d3TSRq3jnxQbaOPCL9rXzC3qz7cMMYw
Cuc85PGJD8PJWMMwG/i3EQO3F+gJz13fJhu2Mjj8a7WigXMzh4fBPiCwd5NO
8d6mHLglt9Ct0nlgAAMGIJbOSWBXPHHBjg0z4nWNw6Ra9o+pxYULNexeSeo
JPlxR8dx985HoTx3/ajigOY4GPxJ4/sbaU6h4LguzDy89pequiuvOSkQ8x2wB
06knhad/wnmvw+XJdeBNTitZSfKkiZpmlwco0Qsh6cMB1PcYPedqKAuuxwc
PxNjhgeXVfDWvWEaAZkNhMyDscsyLgZOBnr6DpT/APhaGli4Wzk0jXYb+SNp
IrOWwYTSKRIYxliOCc4xgHvxXc0UBddjgF+K+mWexdc03UtMdywUvbSFWwM
4G5VctjqApAzycc1JdfFjw/a3Yt3hvQxkEeZRHAdx6jbK6N8vQ8dTxmu5Lqq
FmYBQMkk8AUkM0dxDHNDIkUih0kRgysp5BBHUGgLrscSfi34U+ytKt6GnXO

618ylSrij72cuF4HPX6ZwcS/8LU8KeWzNqUCurfbL+0wlj8gflw+MYOM9Mg57
Z7WkIBBBAIPBFF0GhySfE7wZJgJr9szltioAxLNjIA45z2x16VOvj/w28Qdb
+QnzfJ8v7JN5gbGfubN23/axjppzW/NY2lwZDNawyGWMwyF4wd8Z6qc9V9ul
Zr+EfDUkHkv4e0lot+/YbKMruXjONvXHGaA0JP8AhJtD8oyvq9IGgYlMwZU5
wDj5sdiK0opY7iFJoZfKikUMjo2VYHkEEdRXO3Hw/wDCdxjZodrasOrWINqz
D0ZoipYexyKpn4XeEztzZXhAIIlDancsMjocGTHr+dAaHY5orhf8AhX+oWAEe
h+MNTs7b5v8ARp1WWNOMKEC7CoGTkZOTgk5Gaa+lfEi0V1tvEGk3wdNi+fAb
fysEYYELIWJGQQeB79aAt5neUtp5Xxl2MN+g7g4dD9qfkAYKn9x0J5454xn
vTpNT+INo58/QdNvFK/L/Z1xuKnH8XnNHxn0z1H1osFjtaK4dPE/jCy0+SW/
8G3M8kZ3F7eWIBkx2jWSR8g9huz2ph+IGpieDf4S1NIHIMh+zXTSKp7hVtyp
OOxYHPFFgszu6K4mX4gTR20Lr4X1ySV2YSImn3OEXJcKExDOcDIwCPfjKT/E
qzsBnUtG1a0VQolnlzFCjFtv35dmRnGDjmiwcrO4orjm+KfgulyCbXreJkf
YQ2SQcH0Bx0PXnj6VKvxJ8KSXPkRap5xKbw0ELyKeM4+UH5sdvw68UWFY6uj
vXOWnjvw5eXHkx30qHZ5m+e0mhjC/wB4u6BQPfNXZfEuj298bO4vVgkO3a0y
NHHJkAgJlwCOeR90nrQFma9FJ1+IFAC0UUUAFFFFABRRRQAUUUUAFFFFFABRR
RQAUUUUAFFFFFAGFqkwPifQLQjOWnuBwTjZHS7A4/1vUkDtySK3K5HxPcpp3j
Hwnf3EObV5p7EzZOlpZIXy+B13FNueg3ckV11A30FooooEFFFFABRRRQAUUU
UAFFFFABRRRQAUUUUAFFFFFABRRRQAUUUUAFFFFFABRRRQAUUUUAFFFFFABRRRQ
AUUUUAFFFFABRRRQAUUUUAFFFFFABRRRQAUUUUAeffXnSLcDI+Wxp/uiu+XI
VOMcdPSvP/iscaVbYwDtlP4bRXoCbFLXaCFwMAjGB9O1St2N9B9FFFUIKKKK
ACiiigAooooAKKKKACiiigAooooAKKKKACiiigBKw/FF3GumjTEu1gvdT3W1
rnkliDngEHAHUjkZrbzXJjVIJPEn9o3881tZx3A0yytpYcma5bkyLgbh8pZe
eMKWOMZpoDo9OsINL063sbVNsMCBFGSScdyTkknqSSSScNnWVsVkXXirw7ZMq
XWv6Xbsy1Et5GpKnoRk9Dg8+1Rnxn4XwD/wkuj4JYA/boucdf4u3ekOzHeL
VibwZrqzHEJ0+4DkDOF8ts8Vk/C66muvhl4eedCjioEYBB+6hKqeT3UA/wCF
O1Px94P+xmCbWbSaO6V4gl42uUbgg7golx9eDWJ8ldXtYfB2meHLqdk1e3SY
vA6twPNYhQxG0kKVO0HIGOMUH20PSaKKKZIUUUUAFFFFABRRRQAUUUUAFFFFF
ABRRRQAUUUUAFFFFFABRRRQAUUUUAcHf67qsPxC8K2pcQ2mp/blzb7fmjWKNW
O8rlyMxZRggAqCw6kmu7rOm0axuNXstSkth9psRL9mkWRI2+b/rMqMA5wDzn
nnjrWjQDFooooAKKKKACiiigAooooAKKKKACjFFFABRRRQAUUUUAGKKKKADF
V7uztdQtZLW9tobm2kGHhmQOjDryDwasUUAcRd/CnwtcSrJBb3FmQ7SbJiY
8kHGI33luCQQFA6AdOKqRfD7W7FPs+neM7qGzRlaGKSBIU2/dHySlu0D+EKq
nuD0r0HtR2oHzM4SO2+JVnFJaLfaNfAu7Jf3OVk2YG1TGiKoPvlu+e1MXV/i
OtvIZNAtXkdMRIiNlx5bAjlgr5gQSAAQcgg44B77HFHagfN5HAQ3nxL1COeF
tP0/TyYfllm2xkOTj5Ssk446/MmDS29p8SbNWik1HT71WBYTOqs64wcYCxDJ
5Hccdtud92rjvGuaataalofh7RGjgvtakkVbxsMbZlwrOwjYbX+UngkdOM9g
E79CrDoHj+8hcXni6CzZmKhbe0SUFMdc7UZW69GOMDFWbHQW8K6jDdRa3e6
lpDRFb6K/uGleNhyJYyQTjsVybJj+Y4rsqQ8Dj8KBcw2KWOaJJYpFkjDQyOh
yGB5BBHUVBqOnWer6bc6dfQLPaXMZiliJl3KRg8jfkUcjtVkDAAHQUuKBHKe
FtSu7S/u/CurryS31ivm2l1NIGa9tCSEcngl1xsfjrg5O6urrK1zRYtXgidH
8jULVvNsrpR80EmMfipHDL0YEinaLq39p2zLPC9tfwHZc27qy7GBI3LuA3xk
htrjhgPUEAA1KKKKACiiigAooooAKKKKACiiigAooooAKKKKACiiigAooooA
KKKKACiiigAooooAKKKKACiiigAooooAKKKKACiiigAooooAKKKKACiiigAo
oooAKKKKACiiigAooooAKKKKAPC3utRfRvE3hLTm3avrnia9hhSVmjEUDYZ3
6524DHjOQW4PQ+0aZp8Gk6TZabbFzb2kCW8W85O1FCjJ9cAUy10bSrK+nvrT
TLO3u7jJmuloFWSXJydzAZPPPNXqBthRvE8vrTTrVrq+uoLW3QgNLPiEQEka
ZJ45JA/GuY1L4kaFZxaWVkt5q944LJBpkPml1AJYqxIV8YwQpJHpwcaJN7HX
1l634i0jw7bC41fUIbVGBK5y8mMZ2oMs2MjoD1rITf+PPFDyRWNhD4a06RP

lu7wedckEHDLCNRd5cqWGOoY9K0NH+G3hzSbo3ktvJqmoFt5vNSYTSFsghs
YC7hgfMBu96AsluYv2S9+JerwzX9vJZ+FdPmSWG2mgG+/mU5BYOv+q2kDjru
lye3pNJRQDdxAKKKBRRSUAc94z1O50/QfI08v8A2pqEq2Vkl0LHzHzlvQbU
Dvk8DZ36HZsrSOwsYLSJpGSFAgeRtztgdWPcngT3Oa5TQol8V+JZvFFwoa10
6eay0cKeCB+7mnyGlbcwZRwMKvfOa7PtQAtFFFABRRRQAUUUUAFFFFABRRRQ
AUUUUAFFFFABRRRQAUUUUAFRySxwQvLLIscaKWd2OAOHJJJ6CpKhubeK8tJr
a4TfBNG0ci5IypGCMj2NAGZd+IrBPCt9r9lcR3tnbW004ktnDq/lhtwUg4PK
kVkfC6yOn/DDw9DjG+0Wb/v4TJn/AMeqj8SLCz0r4a+IGtRPCs9vDbpFHcMI
o/mWNFRGOyNeQCFC5HXnmU3tYRb2kEACgRoqYQYUYGOBk8fjQPoT0UUUCCii
igAowKKKACiiigAxRiiigAxRRRQAUUUUAFRTW0FyoWeGOVR0DqG/nUtFAGZc
eG9Du7eS3udG06aGSYzvHJaoytlf4yCMFuTz15qj/wAIN4WW3mhi0Cwt1mOW
NtCIWYPRkwV6diO/rXQ0UBc4eT4XaGXZoLrU4RvLxqbnzxExHLJ5wfDEgHPX
P5VF/wAll4s0tpJNH8Ui4UffKgv02Hyj+EuCyDqeViHau8FFFx8zODS/+ldh
L5NxpEN8rEP9otplZQvqoDvAe3oEvU02TWPIJJGot9AiidEJkeeGEiU54CKt
58p56EkchntXfUCi4XOLh1rxyqtHL4XSV1QATebFErOSeQvnOQoGOCc8Z74E
ct78RYbYSGx02WTcB5dtbBmwRyfnuUAX9T1/Gu4FFFwucLHP8R7u4MQj0y0R
FDiWe1Cq7cfJhLiQ+ueB04NT21748bUYbeWxsfKWT99cNbKkUiA87CLI3XI+
6TGeoyF5A7OjFFwuLRRRQIKKKKACiiigAooooAKKKKAIri2gu4fJuYI5otyt
skQMMqQynB7ggEehAqWoZpliMSFkDyyBEVm27jgscep2qxx7VNQAUUUUAFFFF
FABRRRQAUUUUAFFFFABRRRQAUUUUAFFFFABRRRQAUUUUAFFFFABRRRQAUUUU
AFFFFABRRRQAUUUUAFFFFABRRRQAUUUUAFFFFABRRRQAUUUUAec/Fr/kEwAd
PLI/kK9Frzj4ucaVbEjICSn9F/z1Fej1K3Y30FoooqhBRRRQAUUUUAFFFFAB
RRRQAUUUUAFFFFABRRRQAUIV7y9gsLaS4uX2RRo0juRhVVQSST0AwO5FAGR
4p1DyrRNHgtXur7VVe3giy8ceMfOzyrjYfUk8HccfLk1YPhzTrrw5Foup20N
/bLEqSebGP3jAYL+zE85ByD3rK8L6fLqF4fFepBPtt1F5cEcU5khgi3ttMfO
DuXYSwxn0XJFdZQBzFt8PfCloZjDo8WZccvI7mPAIHllmPI9T9zH8qX/AIQD
w15AiFjNkOXEv2yfdzxxz5m/f2GOeOQOpz09JQO7Mqw8M6FpUyz2OkWUFwEC
eekC+aw4+8+NzdBySc1xPwDjeC08UWijlbwa3MkeRwvyrkZIBz0zIR+vHe6v
/ah0qf8AsU2Y1HaPIN4GMWcj07bzjGelY3gbwvP4X0S4hvLIJ9QvruS+u3iU
LGJXwClxgYUBR1HJyeM4AO/unT96WiiigKKKKACiiigAooooAKKKKACiiigA
ooooAKKKKACiiigAooooAKKKKAG0tcXpouNW+Ketz3iyC30W3gtrBdv7smZN
8kmSPv8AAXg9OortKBtWFooooEFFFFABRRRQAUUUUAFFFFABRRRQAUUUUAFF
FFABRRRQAUUUUAFFFFACUUVlat4gstHu9MtLgyPdalcC3tolV3uxxlnlHOxR
yzdFBGaANXFZp0LT28RDxng36itsLWORMJEce4sQo6Aknk9e3StKigBaKKKA
DFFFFACVla3oiaTbhobiSy1Clh7e8hJDI6527gCPMTJOUY4IJ+o1aKAMPwxr
z6zZzQ3fkR6rZSGC9giY4VgSAwB5CtjlznuAWxuO5WDqHheyu/EFhrsO22v7
aQmSVAQZ4yu0o2CM9E5OfugYxW9QDFooooAKKKKACiiigAooooAKKKKACiii
gAooooAKKKKACiiigAooooAKKKKACiiigAooooAKKKKACiiigAooooAKKKKA
CiiigAooooAKKKKACiiigAooooAKKKKACiiigDmtd0rxTdah9p0TxNBYW4g2
fY5tPWVS+T8+/cCDyOMEcdDWRN4T8a3rtFd+PCLNmG5LftIhdi4yA6OGQ8Hk
MevTHFd3+FFA0zjLX4Y6AlzDeahLqerX0XCXV9fSM+3IIUhSqsVHQg575rpd
N0bStGSRNL0yzsUkILrawLEGPqdoGavCigV2LRRRQAUUUUAFFFFACVz/Alzu
54PDcttZzNB6hllhbSruBieVgm/l6bQWbP+z64FdDWZMi3Gv2ql0ItIXIMf
G4O/yo3rjAlHpz7DAgLGnadaaTpttp9jCILS2jEUUYJO1QMDk8n6nk1boooA
KKKKACiiigAooooAKKKKACiiigAooooAKKKKACiiigAooooAKKKKAMrWtGi1
tLKGeTEFvdx3TxgZEvl5ZVPPA3bW752471qVj32upYeJtH0eSByuppceXMoJ
CPEFYkFTKIznP8GO/GxQAtFFFABRRRQAUUUUAFFFFABRRRQAUUUUAFFFFABR
RRQAUUUUAFFFFABRRRQAIZY8RaW/iFtCjuHI1FEDyxRQSOsIIJHmOqIUJAJA

YgnjHUZo+KvEx0GC2trKBL7Wr6UQ2Nh5m0ynPzOcAklq5YtjAxjlzWppNpdW
OmxwXt6L26BZpbqQrEHYsTwi8ADOO545JOTQBfooooAKKKKACiiigAooooAK
KKKACiiigDlv5XbxDPfskjpXNcOBuw6qoTBwMdZVPJ7ce2tXK6lepYfEbRTd
3HIW11YXNvbhmwrT+ZCdp44JUccnODwCOeqoGxaKKKBRRRQAUUUUAFFFFAB
RRRQAUUUUAFFFFABRRRQAUUUUAFFFFABRRRQAUUUUAFFFFABRRRQAUUUUAFF
FFABRRRQAUUUUAFFFFABRRRQAUUUUAFFFFAHm/xd/wCQPb4/55y8j6LXpFec
fF3/AJA9qe+Jf5CvRqIbsb2QtFFFUIKKKKACiiigAooooAKKKKACiiigAooo
oAKKKKAE7VxPjLQ28Va/o+jy21+NOj33F3dW83lqFwdqEiQHkqAfkY4Y7SvJ
HbUYGQcdKARFbW0dpaQ2sO4RQosab3Z2wBgZZiST7kkmpqKKACiiigAwKMUU
UAFFFFABRRRQAUUUUAFFFFABRRRQAUUUUAFFFFABRRRQAUUUUAFFFFABRRRQ
BXhs7eC5uLmOFFmuCplkCgM20YAJHJwOmfU1PVDS9Xs9XW7NnlWNpdSWkwK4
2yleR79Qfoav0ALRRRQAUUUUAFFFFABRRRQAUUUUAFFFFABRRRQAUUUUAFF
FABRRRQAnaiiqWq6tYaJps+o6ndx2tpApeSVzwB7DqT6Ack8CgC2zrGjO7BU
UZZmOAB71x3hPSb3UdXuvF+vWskF9cExabaTHDWVnxtDJztlfn5OOB8vlrr
re4huraK5t5FkhmQSRylchlyCD7ipaAFooooAKKKKACiiigAooooAwfGWkT
674O1TTrQqLqWAm33AEeapDJ14HzKOE3WrXh7W7fxHoFnq1srolwmWjkBDRu
CVdCD3Vgyn6Vp9q5GYf8ll4qa7+ddE1dj9pYJILW7yoRjjG1ZASGYgjcq5l3
cgzr6KKKBRRRQAUUUUAFFFFABRRRQAUUUUAFFFFABSc5paKACiiigAooooA
KKKKACiiigAooooAKKKKACiiigAooooAKKKKACiiigAooooAKKKKACiiigAo
oooAKKKKACiiigAooooAKKKKACiiigAooooAKKKKAG1yfhe+n1zxFr+sKQ2l
q8dhYNtl8wRbjK4PRILuQGBwdnTjJXxfPeapLB4U0maSC7vl8y7uYztNraA4
dgf77H5FGD1J6KTXSWVnb6dYW9laRiK2t4liijBJCoowBz7AUDLNFFFAgooo
oAKKKKACiiigAooooAKKKKACiiigAooooAKKKKACiiigAooooA4vWrX+0vin
4XMADNpVrd3VxIWGxJVESYP3SSQ/HXCk12dRLbxLcvckgErosbNnqqliB/48
351NQDYUUUUAFFFFABRRRQAUUUUAFFFFABRRRQAUUUUAFFFFABRRRQAIFfcZ
4p8Sak+sQ+FfDDwDWp4mlluJVLr2ce04ZsBsMTjaGG09O4oGlc7PmquoSXiW
b/YIkkuW+WMyH5EJ/ibkEgdcDk9PcZXhXwuPDNpcl+p32pXV1Istxc3km5mc
KF47hcKMAkMdMnFb9AjB8OeGINE868uJvt2s3RLXepOm15ueFAydiAYAQHAA
Hfmt6gYxRQAtFFFABRRRQAUUUUAFFFFABRRRQAUUUUAVL/S9P1WAQajY215C
DuEdxEsig4Izhgexl/E1bopKAFooooAKKKKACiiigAooooAKKKKACiiigAoo
ooAKKKKACiiigAoopKAFooooAKKKKACiiigAooooAKKKKACiiigAooooAKKK
KACiiigAooooAKKKKACiiigDzn4tn/iT2yg9RjX/3zXotedfFc4sLQcbdsnB
HutejVK3Y3sgoooqhBRRRQAUUUUAFFFFABRRRQAUUUUAFFFFABRRRQAUUUUUA
FFFFABRRRQAUUUUAFFFFABRRRQAUUUUAFFFFABRRRQAUUUUAFFFFABRRRQA
UUUUAFFFFABRRSUAUNK0q30iCeK3eVInuZblvMYHDSOXIGAMAZwB6Ducmr9FF
AC0UUUUAFFFFABRRRQAUUUUAFFFFABRRRQAUUUUAFFFFABRRRQAUIFZ2u63Y+
HdFudW1GQpa267mKjJJJwAPckgenPJAoA0aw9S8MWmsa/ZalqLfaYLFcbayk
UGJZif8AXEfxMBwM8DkjbE/h7VbvWtKW+u9Lm0wySN5VvcE+alwcKzrgbWl
52jOOOc8DVoAWiiiGooooAKKKKACiiigAooooAKjmgghuYWhniSWJxhkdQyk
e4NSUUANJAwCepwKdXPelrtbOw05tzh5NVsokCOFyWnQEHPUBS3H/wCuuhO
AKKKKACiiigAooooAKKKKACiiigAooooAKKKKACiiigAooooAKKKKACiiigAo
oooAKKKKACiiigAooooAKKKKACiiigAooooAKKKKACiiigAooooAKKKKACii
igAooooAKKKKACiiigAooooASlpKzPEOuWvhvQLvV7ze0FsmDKa5Z2JCqoHq
zEafWgCaHSrODVrnVI4it5cxpFLJvY7ITO0bc4GNzdB3q7WV4dg1CHRYW1Vi
dRnLT3C5B8pnJbywQSCEBCAjqFz3rVoAWiiiGooooAKKKKACiiigAooooAK
KKKACiiigAooooAKKKKACiiigAooooAx7PXEu/E+p6KkQzYQQSvKr55l34Uj
HBwmeMjB7dK16zrDRrXTtS1PUlj1xqUySzs5HG2NY1UYA4AX3OSefTRoAWi
iigAooooAKKKKACiiigAooooAKKKKACiiigAooooASigVj6n4l0/StUstLk8

+e/vHUJb20RkZFZtvmPj7iDk7jjhWxnBoA2KwPDui3WnXus6jqMsU17qN4zh
4xjZbr8sMZOBnauTnHVjyeb9AoAWiigAooooAKKKKACiiigAooooAKKKKA
CiiigAooooAKz7a6Emr39qPMBhWJiD935geRxnPy89RwO+a0KxrCRR4n1iDY
VfyreX/Wk7IYOoO3aAvKMM5JOOcALkGjZooooEFFFFABRRRQAUUUUAFFFFAB
RRRQAUUUUAFFFFABRRRQAUUUUAFFFFABRRRQAUUUUAFFFFABRRRQAUUUUAFF
FFABRRRQAUUUUAFFFFABRRRQAUUUUAed/FUf6DYEY6uOenVa9Erz34qrv02x
UA8u4yO33a9C7UI1GwoopiCiiigAooooAKKKKACiiigAooooAKKKKACiiig
AooooAKKKKACiiigAooooAKKKKACiiigAooooAKKKKACiiigAooooAKKKKAC
iiigAooooAKKKKAErnfHOi3/Alh8lXm16XdfZb2Z4TFPkjyysqNuyORgKenN
dFmigApaKKACiiigAooooAKKKKACiiigAooooASiiuX8X+ltQ0W78P2mmQW8
02p6its4nZgR7WZiMEEHgfNggeh4FALU6miiigAooooAKKKKAErk77RbjxF4
1tZr5SmjaGyTW0WFlursg/vDyfljUjwDuZucDnbtNd02/1i/wBJtrpZL6wC
faYhkFN4yv14x0/nWjQGwtFFFABRRRQAUUUUAFFFFABRRRQAUUUUAFFFFAHK
/EGSW08KtqcRIJ025gvjFExUzCOQMY8jOAE/BH866aORJo1kidXjdQyspyCD
0IPcVX1Gwh1XSrvTpy4gu4Hgk2HDBWUqcHscGud+H2oF/DseiXUsH9qaKPsV
1DFwUVCyRMQSfvogb3yaB9DrqKKKBRRRQAUUUUAFFFFACfjS0UUAFFFFABR
RRQAUUUUAFFFFABRRRQAUUUUAFFFFABRRRQAUUUUAFFFFABRRRQAUUUUAFF
FABRRRQAUUUUAFFFFABRRRQAUUUUAFFFFABRRRQAUUUUAFFFFABXPaplxqf
i3R2mhc6XYJJdZ3IUe44WMMp5yoLsD0zjuBXQUcUALRRRQAUUUUAFFFFABRR
RQAUUUUAFFFFABRRRQAUUUUAFFFFABRRRQAUUUUAJR3ornfHmrDQ/AWuah57
QSR2cixSJnKysNseCOQd7Lz2oAl8H68/ifwzb6vJFHF9okm2JGwYBFIdU5BI
J2qM4OM5rdrN8P6a+jeGtK0qSRZHsrOG2Z14DFECkj8q0qAFooooAKKKKACi
iigAoopKAFooooAKKKZ16xo0jsERRImY4AHqTQA+io4po7iFJoZFKikUMjow
KspGQQR1GKkoAKKKaScCAE+5oA53xfrs+IWEFjpnz61qcn2axQYJRiOZWGD8
iDknaQOMjBqx4b8NWvhyyKofPv7gK97fSD97dSAcsxOTjJOFzgzWkdpfhy1s
NTuNXmP2rWLMRTXjAg7AchEXJCL0yB1IBOTWzQPyQtFFFAgooooAKKKKACi
iigAooooAKKKKACiiigAooooAKKKKADtWXAU/wCEmvwEAf7HbEv5uSRvmwNm
75cc87RnOMnbgafasm2O/wAVaiQkm1LS2TzP4C26YIRz94AqSMZAdfWgDXoo
ooAKKKKACiiigAooooAKKKKACiiigAooooAKKKKACiiigAooooAKKKKACiii
gAooooAKKKKACiiigAooooAKKKKACiiigAooooAKKKKACiiigAooooA88+LH
/lIssAE72AGM+nbv9K9C71578VgG0uwU8K0pHTP93tXodSuo3sgoooqhRRR
QAUUUUAFFFFABRRRQAUUUUAFFFFABRRRQAUUUUAFFFFABRRRQAUUUmaWgAooo
oAKKKKACiiigAooooAKKKKACiiigAooooAKKKKACiiigAooooASsfV9Pvb3U
9FItJ2hhtbprorKy+ZF5bgR7R97LIDzwNhPXA0x2o6CgBaKKKACiiigAooo
oAKKKKACiiigAooooAK5rxd4dm18aK9sypLp+q214xJ27o0cF16c9jj1VfSu
kpelACUUma57wP4hfxT4Vt9ZdSouJZ/LBAH7tZXVOATg7QM89c0BbS50dFJS
0AJWH4rXWZ9BltNBLR6hdOsC3lxi2Rj88pyR0XOAMnOOOpG0XQSCPcodgWC5
5IGMkD8R+Yp1AGfo2i2Ggaalhp0AihBLMSct156u7HlmpcnmtCjtxRQAuTVN
Q1Gz0qxlvb+5jtrWLBeWRsKuTgc+5IA9zUEGv6Nc6m2m2+rWMt8u7NtHcK0g
2khvIBzwQQfTHNAGIRSCqv8AaNN/AGoNM+0p9u8n7R5APzCPdt3H0GeB64Po
aALdFFFACVDb3VvdxmS2nimQMyFonDAMPwwyO4II7EVI6p4u8PaLLJDqGsW
cNxGMvb+YGIAXn/VrlunPSsX4fXuq3PhuwkudNuY2upJri4luj5YTc7kBFLM
7c7cFiMqd2eikHbS52tFFFAGooooAKKKKACq32G1/tEah5Ef2sRGATbRu2Z3
bc+mecVZooAKKKKACiiigAooooAKKKKACiiigAooooAKKKKACiiigAooooAK
KKKACiiigAooooAKKKKACiiigAooooAKKKKACiiigAooooAKKKKACiiigAoo
ooAKKKKACiiigAooooAKKKKACiiigAooooASis681VLbVtO01ULz3hkfGDhl
o1BZ84x95o1wSPv+xrRoAWiigAooooAKKKKACiiigAooooAKKKKACiiigAo
oooAKKKKACiiigAooooASsXWdBTW9T0mS6ObPT5/tgiDY3zqMRE8cquWbqOQ

vBFbVc9401d9H8L3T20jLf3RWysBGyB2uJTsj2hyASCd2M9FJ7UAdFRUFos8
VIBHdTLNcLGoIlVNgdwOWC5OAT2zxU9ABRSUtABRRRQAUUUUUAJXE/Fea6svA
k+pWl7PbPY3EM7iGaSLzk3hWjZoyHCKN2IPArthWT4lOC28T+HrrRrxnW3uQ
ocxnDABg3HvxQC3NaloooASvP9fnl8WeO4fCMLyrpWnot5qzRM6ebkMfT3IG
0qwZSUP3lzyNuG753SONpHdURQWZmOAAO5rvhtYt/wj82vXEe2/124e/ILM
HZUYnyk34G5VTGOMckjg0DR2dRzOEhaQyLGqjcz0AHJz7YzUd9fWum2M17e
zx29rAheSWQ4VQO9cw1rqHja1cXgutJ0GRgBabfLurtRg5dw2YoycjYAHIGS
wyVpbil9l1HU/FviWS+gmmtPDWnSPFCE+VtQnB2ly3eFecBThieScFR2dQ21
rb2VrHbWsEcFvGu2OKJAqIPQAcAVNTGxaKKKBRRRQAUUUUAFFFFACdaKSqG
i6oms6d9tia3eFpZEje3m81WVXK53YAzkhIGQD0JHJANGiigAooooAKKKKA
CiiigAooooASsDRDHN4i8RzrHGsi3EVuSrvuKrCrDcpOFOXfBAGV2nng1v1y
2mk2HxE1q0kSMDUreG+hdWyzeWBC4YZ4x+7xgHqcnADR1VFFFAgooooAKKK
KACiiigAooooAKKKKACiiigAooooAKKKKACiiigAooooAKKKKACiiigAoooo
AKKKKACiiigAooooAKKKKACiiigAooooAKKKKACiiigDz34qhm07TIQfOZiF
4zz8vsePwNehVwPxMUsmixgMd92FAVtpOWT0e31rvqS6jfQKKKKYgoooooAKK
KKACiiigAooooAKKKKACiiigAooooAKKKKACiiigAooooAihj8syck7nLZJ9
hUIAxS0AFFFFABRRRQAUUUUAFFFFABRRRQAUUUUAFFFFABRRRQAUUUUAFFFF
ACVy/wAPr6/1XwZaanqV0J7m9aSdIDkywgucRjAB+XGCGywOQTxx1Hasfwx0
jeHvD8GmvdafEeWR5thTe0kjSE4JJHLHuaA6GzRRRQAUUUUAFFFFABRRRQA
UUUUAFFFFAFDV7qCx0a9ublnWGKB2cpKI2xjorEqFPoSRzjkVB4ZvJ9Q8KaP
e3UyTXFxZQyyxjCuzICSBgcEnPQVx/xKL+I7/R/AlnOYptRIFzeOob93ax5
JJwMZJHGeMqAeoNd/a2sFjZw2lrEsVvBGsUUa9EVRgAewAFA7KxKQSpA0OOM
dq8m8B+KbPw38LPDVlaQXGqandrMtvaW6EkykySbXYAiMdRk9sn7oYj1qqVt
o+l2V213a6bZwXLqUaaKBVcqW3EFgM4Lc/XmgEzidFudci+LH2HWL3fJLobX
UltatILWJvPRF2hmOWwp5wvU8c8dX4m8QQ+G9Fe+kUTTM6w2ttula5mc4SNc
Akkn0BOATjij+oeHoX8V2Hia2vBaXsMX2K43rvS5t2bljwSNrbyCrD6EMCAN
afTrW5v7W9mjLT2m/wAg7jhCwwx25wTjjJGQCcYycgN6mN4V8O3GIRS3+r3S
3+u3h33V35SrsGBiGPHlJXAWM8nLd66OiiigQtFFFAHnHia3/AOEx+JFh4ZeT
OlaXAuoahHHLjflW/dowweeFOMjKuxyMDNnxlbox+KfBlvpdjFHqcmqGf7Qk
Srst0jlnBbr8ysBjoeO4FSahDq/hnxPr3iGx0aXV49Rgtl44YJV1kQsmDkZ
CneDu5wAxOAK0/C2hXdu8mt67Dap4hvr/pls3fyYxhVCqrMRnbGm5uplxkgC
gps6VjtUtycDPaya4Dwn4h0mw8FTeL9Vmigk1KWS5u5UzIQA5jRcgsdqhVUc
4ycDGcV6AKx4vCugQ6nNqUej2S3k0qzvL5lz5gziQdg/zNlhyc8k0CTM7Rk8
U6j4iuNU1K4k03R1zHa6Tshd5eP9bK4BK5zkIp7DJ6g788d5JfWphuEitU3N
MoXLYHgKvPAXkk98he2atUUCueda14fsLZ18JeE9Nhsr3UEJ1G/jVd9rZPIT
JmRgWLOdyovPc/KFzXoFvAlraw28W/y4kEab3LtgDAyzEkn3JJPelhhSCMRx
ghR3LEk+5J5J9zUn0oAWiigAooooAKKKKACkJwM/wAqKCARjtQBnaDfy6p4
e02/nVFmubaOWQR/dDMoJ28nlznByRjHJ61o1zXgOa7PhCzs9QkR9Q04tYXO
1y3zxMUBJIB+ZQrjl5Dg9810tAC0UUUAFFFFABRRRQAUUUUAFFFFABRRRQA
UUUAFFFFABRRRQAUUUUAFFFFABRRRQAUUUUAFFFFABRRRQAUUUUAFFFFABRR
RQAUUUUAFFFFACUVy3iTxzY6DcLp9tbT6nrEnyxWNqpLbipYbz/CMDJ6sAd2
0gEjDh8O+MvFTCbXhqr6PabyRY2LLvK4K7WwWTB4JDmYMD0j5FA7dzoNa+IP
hPw/5g1LXrKOWN9jwxyebKrehRMsPxFV1+IONx29pcajpmt6Xb3DFXmv7Foo
7c7wi+a3ITcTwc4HcrkZ0dA8l6F4aQf2Xp8ccoTy/PbLylODt3nJC5AO0YUd
gKu6zY/2rod/p5zi5geHiQxn5gR94A469cGgNC/S0gHAyc+9LQIKKKKACiii
gBKKAc8isXxH4p03wxaxSXzSyTTuEt7S3TzJp2yBhE6k/MPz96AWpFp4lvvF
Wo3zLklvaRixgDPIqu3DyMlyAvXaA/OcEDAB3b9cz4SGtiOeTUNJh022uXe4
WBr4zzRSOxLg4ULtJJYYbjJ/DpqAYtFFFABRRRQAUUUUAFFFFABRRRQAUUUU

AFFFFABRRRQAUUUUAFFFFADeTS1k+JdOvdW8N39jp12bS8liilgmDFQHHIDEA
kKcYOOcE45qn4J1C1vfC9nDbW72j2ca209lJIXe2dRgoSSScdiT09DkAsB0V
cprNhda1440S2aBf7K0oHUpZGXO+cho4UHTGMyPkZ+6MgZBPV1BBbW0MtxPB
GiyXEm+Z1/jYKE5+gUD8KAJ6p6rq1hoemT6jqd3Ha2cC7nlkOAB6DuSegA5J
4FUfEfirSfCtj9p1O42FIZooUG6SXaMnavoOMscKMjJArjNA0XU/Hms23irx
Vapb2Frtk0jT1ORyQ/nMSA3ZODjO3kAYyFKOlzZ0H+2fFd6mu6ot5pWIIQ2n
aak7RySAHlluNuCcjGlySoGcg9a7SiigkWiiigAooooAjlmit4JJppEihjUu
7uwCqoGSSTwABUNjf2eqWUd5p91DdWsudk0EgdGwcHBHHBBH1FZ3i/UX0jwd
q9/HIY5ILSR0dQpKttOCA3BOex4PSneFLq4v/B+iXt3L5t1cWEEs0m0De7Rq
ScADGSfSgLaXNisDSfEjal4t8Q6EbUx/2SbciffnzfNQvwuOMYx1OT6dK368
4vX1Twr8S9TvrHSJ9Rg8QWsGzYjKq3MQZVRpACEUrySw9OwNA0rnRfEC6+x/
DzxBOE3AWEq7RnnKkducc9sfUdRr6XYQ6Lodlp0b/uLK2jgVmOPIRQoJ/AV5
jrV543n1rwrDrdtZR/aNTimhsNNaQsiqQzmd8FfkU/wtgnPDAZHc6jaarrV3
qllJHNZ2EMUYs5Y5kX7VlcOWLDLx7GUL0HUkZ42g3GxWu9PuPE/iOwlinspYN
F079+jTlla7IYEACMMCCipjneuw3FQAu7d1ZICkk4A5J9K83tL/4oOtvYpoFh
ZlieUZ7m4Ey4AOG8zzXfJAGC0bknlupw9Phrf65sm8Z+JLrUmXay2sAVIUYb
ufu4ZgGwHVIzxnNAW7s09Z+JmgabcLZWLT6xqMhZY7XTYjMWKjLcJg7f4gu
WHXHBqzotx44v57e41S00jSbRi7S2nzXFwoDAKm9WCcqCd/PUDb1rX0Xw9pH
h21NvpGnwWkbY3IF+eTHQux+ZjyeSSa06BO3QKy9U1g2Vzb2FrB9p1K6illt
4GLljCPbuLyBW2DL0MkHlh+GoK4jx5e6le3WmeFNBUJLbUNScvc3kP3rO0XI
3BBYjMcKplwfmGQcGgSNrw34ng8QpdQvaz2Gp2LiK+sLjG+ByMjkcMp5KsOG
HNb1cAumf2X8X9KkgM832jQ5YbiVwAz+XJHiR2IAc8gYXleOikV31A2FFcRr
F1NrXjCbSv7UlstC0q18/V/LPk7y3zRqZgwZVwpYlccKQ2Qwxt2XiGTVtRaD
TdPmeyRUdtQm+SKRXQITfGeyEMNrKdhXNAWnyufi1zUr7xDcafZaRMIIznE9
9dgxpK2PuwjHjzOctwAVI5yDXQVh6v4hksJzZafo+palfsDsjigaOefKSC07
gRhcgA4LNzwp6UCOH1nxD8RNPe0064I8NpqOpSeVa21iksk/clyGOAgAyz4O
MdDXWeH9K1/S7Sszsv+JZZ2dvAljDGWuNzAD5922M7mJYnOemeSx2p4f8O3X9
pt4119bc67LCIFS3JMVrFwSi/wB5iRksRnooJAyep6UFN9AB45NLRRQSFFFF
ABRRRQAUUUUAFFFFACVg+KtlvNT02OfSrj7Nq1i/2izl2hgWwQ0bAkZV1JU8
8Eg/wit6igDM8P6uuu6Fa6iE8ppVKyx7g3lyKxR0yODhIYZHBxWnUFraW1ID
5NpbxQQhiwjiQKoJOScDjkkn6mp6AFooooAKKKKACiiigAooooAKKKKACiii
gAooooAKKKKACiiigAooooAKKKKACiiigAooooAKKKKACiiigAooooAKKKKA
CiiigAooooAKKKKACiiigDgfiYiypokTjKPdhWXbuyNy9u/0rvq4T4iruu/D
a5ADaggyU3gfOn8P8X0ru6S6jYUUUUXBRRRQAUUUUAFFFFABRRRQAUUUUAFF
FFABRRRQAUUUUAJXl6p4xuZNaI0Lw1pranqMQHn3DOFtbUkkYkfOSRjIRzjO
MkEVQ1DXL/xb4kuPDWgma3srCZRqeqRzbOn3oYyFb58kZyR90joRnqtA0Kw8
NaJbaVpsXl28C4BIAZ27s2ABuJ5OAPYAUD23Oah8G+I9Sgj/AOEi8a6iXXDL
HplW0CscIgzgZkAyADhOmSMmsnU7rxT8NoLe+udXi1nw39qSK6+0xv8AaLOJ
3l3iQuxk5YAlieigAA8enDpXDfGF9nwo1wjHKRDkesqCgad3Y7mlqtYLS062
TY8e2JRsdztLwOCe5qxQSLRRRQAUUUUAFFFFABRRRQAUUUUAFFFFABRRRQAU
UUUAFFFFACUUtRyyxwxPLlikcaKwD2IAUDkksKAMfxjPLa+CNeulJpYZYtO
uJEkiba6ERsQVPY8da0tPvI9R0y1vod3lXMKtJvGDhgCMj1wazrp4PFXg25O
nSF4NTsXWCR1aLcsiEKfmUkA5zkqeOcgS/V9fsfh74KtTfSJNNb28dvwbxkq
bmRVChVBLMBn/elHr3ASuXPE3iiDw5bQIsL3mqXrmHT7Cl4e5k44yeFQZBZz
wo98A6unreJp1uNQeJ73ywZzCMR7z94JnnaDkDPOAM5Ncb4N8NXlxq0/jLxP
b41y6ytpbs5ZdPt8fKijoHOTuI9exLZ7ugbFo000EFFFFABRRRQAUUUUAFF
FACUAVk+JfENI4W8O3ms37YhtoyUHmRuioPcnA/H0p3h+LVotlibXLIJtQl
JlKWONVSDdz5S4+8E+7uPJxk0AalHaiua8O+KX8R63q8dpbD+ybBxAI4cjz5

gTvCdiq46+4oCcxk6bZ3Xjm+XWdVW8ttFtbvzNM09x5YuVUDbNKuNxBYblVgM
YB5B57uiigGxaKKKACiigAoxRRQAUUUUAFFFFABRRRQAUUUUAFFFFABRRRQ
AUUUUAacxbJcaR47vlik0tlrcYukkVGyQTxlkqxC4VWQRISTyUYd1FdN2oFF
AC0UUUAFFFFABRRRQAUUUUAFFFFABRRRQAUUUUAFFFFABRRRQAUUUUAFFFFA
BRRRQAUUUUAFFFFABRRRQAUUUUAFFFFABRRRQAUUUUAJXEeMPF91Ffr4V8MI
LrxHdL8xHMdhGcZiIPbAOQPcZ6qG3fFiGDwv4YvtYnwRbxkxof43PCr+Jx+
GayPh74Wn0LSJNQ1cLL4g1SRrq+mKrlSxylwQBhQO3TcWxxigpW3Zb8K+CdP
8M7rsyy3+szxLHd6ncsWlmszxknauew64GSxGa6bigUUEt3FooooAKKKKACi
iigAoo7Ux3EcbYNUKqCSFUswA5P4UAY/iXxLY+F9Ka9vG3OxCQW8fMk7kgB
UXqTkjoDisDwb4avptRI8XeKY0bXbpQLE8rp8O3HloD91jk7se/qcweCNOF
xO1t461qdLi8nVxZWkUge2skzt+Tk/vDt+ZsjqVwMGvQKCr20PNfBmoyeE/G
F78P9QLC3Ytd6G5beWgYszRluuQQ5G4Z4YZIC59KrzzxV4fuvGnhafVLJpYN
UtbiS60aSM7ZVFQFADZ6S7N46ffXPQ53/BHiqLxd4agvxtW9jHk3sKjHITgD
cAMn5SeVOTwR3zSBq6ujpaKKKZIUUUUAFFFFABRRRQBhat4w0LQ9Tg03UL4x
3twm+KBIZJGcc9AqnJ4PHWrsGt6XczvBDqNq88Z2yQiZd6H0Zc5U+xq6EQSG
QKN5AUtjkgdv1NYJ8C+EicnwzpBHQBkKMqPouMD8KB6G1HeW0pxHcROcZwrg
98fzqauPuPhZ4JuQ+/w/brvbeTE7x4Oc8bWG0ewwMcdKrr8KvDcMgNnJqlmh
jaOWO31CULMD2bJJ4POAQM9QaA0O4orhH+FektJJs1bWo7aRQpthcq0ZAOQD
uQs3OT8xOM8Y4xJa/DaLT5t1h4n8QWsRmMzwwzxKjnGOcR88ADJycAegwDsu
529QSXlrFdQ2slzClxMGMUTSAO4HXaOpxkZxXHR/CzQRFIsLxfSu2SkjOi+W
xbduCqgUnP8AeBBxyDUlP8LfdNvaPBII/OZCTNIb6WHzjknLLEyITzj7tArL
udjFLHPGJIZEkRujl2QfxFP5rip/hR4QuGVmsbkYwD/p0xyAcgcucD6Y61Bc
fCfRj5lkW/1WMKThTMkuFPG0NIjMBjgg+9AWXc7zmiuCX4VaXDEwtdV1SCU
NvilQwgxEY24xH2xx39+mEj8F+LbcpNH46mkuEBIMIs21mwwA2mVI24YZyrH
IzkYGAdl3O+6Vwvicz+D/ESeMlpJ30idRBrCg4yCNQMRzqxTtxtOAwXOVoduc
mpP7M+lCvXGyeltKulo9mVlsynnYX5t23O3JJ6H+FcdSKYdK8fRQyxS6hoes
wXKCOW2v4TEiptAYAoh3bstncMcDAGSAakdpFcRT2yXEEiTQyIJI3jYFXUjl
IPQgJVXD+Gtabw38HrbxBrJEj/Z31CQI33jM5kRRnGM+YoA7dOcVjReCvG9t
4e1DQ7K9sYLG8V1WP7eziBX4ZEzbZC4JwARjtg5NT6x4E8Sa1c6Za3EmIDRt
NkAhtVkgZUC7FPINcyhgM/eaQdgBkmgas7ljwX4Ru9Wmj8YeM0km1q4dZ7ay
mUolqqltihNxBocGG4ZU/wC3uJ9Hrg3074jboyurWDYVgQJ1QE/Njl+ysSRk
cggcfd6kyCy+IsVt5K6hpdwzfmkm8uROh+XFuVx1GCpPAOecAsJq/U7iiuE
i034jCIW1nT23nLTSMrSRj/AGcW6q2PdR/Spl4viNbRsVfRrs9VW4u2zwOh
KW6Bs9ei4OOo6guXzO3orhF1f4h25DXHh20ud6HEdm8f7ttxA3NJOUeBnAXu
PmByAp8aeJYI5o7jwRfLcxhduJdyS5OOsauF9SMkAZyeKLBys7qjNcSnj+43
jzfDGsiMJI/LsLpmDZxhQYVDLz1znrXUd38UdPsLdp77QtetlQ4Tzbq0FuhJ
zgBpWTJODxQHKzR8daLrfiPRP7H0m4sbe2vMxX01wX3pEcf6sLwT1yCQCOMj
OR0NjZw6fp9tY24lgtolhJb5IVQAP0Fco3xT8li1WaPV7aVzIRBHPH5m7bkL
gtg54AIOM9SOafb/ABP8l3IYR6oS0ZQSqsEjiMt0BZVK9jyCR70WDVnYdqK5
l/EvwmMD+0J8lgoH2C4yT7DZz7+netSPxXoksdtJ9t2JchjySxPGFKfeD7gN
h56NgntmgVmZ+raRqX/Cd6PrtpbwXdtFbyWc0Ukxja33ujGZMghuFIIG08jk
jgdTVCy1vSdSl8qw1OyupPLEuyC4VzsJwGwD0z3q/QAUkKtVSOAFFFFACVwn
im21TS/G2n+I9K0eXVC2ny2MsUTBWjy6sjKW4B+914x1ru6KBp2Ob8K+G5dJ
SS/1O8ur/WLrJlmuZfMMCK7vJjwAqqD12hQxGcAAAdJQMUUCOP8AEHw+s/EO
uG+n1K/htZ4livrKGUql0qE7QxByF+ZgQPXI2nJPWQwx28McMMMaxxRqEREGF
VQMAadhUmPSigG2xaKKKADFFFFABRRRQAUUUUAFFFFABRRRQAUUUUAFFFFAB
RRRQAUUUUAFFFFABRRRQAUUUUAFFFFABRRRQAUUUUAFFFFABRRRQAUUUUAFF
FFABRRRQAUUUUAFFFFABRRRQAUUUUAFFFFABRRRQAUUUUAFFFFABRRRQBwvx

AB/tLwsUALjU4toJwCd6YBPYf5xXdVw3xFDbvDzJgSDU4gh9DuGK7mkuo30C
iiimIKKKKACkDA5wQccHBpaKACiiigAooooAKKKKACiiigAooooASub8bel3
8O6FmzEcmrXsq2emwSEgSzucLk44AznnA4AyMg10lcJYpL4s+lba0s0sel+H
ZJ7CKBjtMI1gCSTbt5Ta+0Hd1XIABOQaOl8N6FD4c0G202EhmRd00gLEyyHI
myxLcnpknAwM8VrUUUCCuH8Twx4qsPC6APp9kVv9WPUEYligP++dxI9F96
6bX9btPDmg3msXzMLa1j3sF6seiPckgD3lrP8HaJdaRpEk2pTCfvtRmN5fS
KuAJGAARR/dVQqj6Z4zihDR0dFFFAGooooAKKKKACmnJwQQBmnUUAFFFFABR
RRQAUUUUAFFFFABRRSUALRTHZURndgqqMkk4AHrShlYKQwlboQetAC1yXxKv
fsXgO/3kJaXGy0u5u8EEriN3A/iLDcD8e1dUssb/AHJFPJXgg8+n6U2eCG6t
5La4hjmglQpJHloZXUjBBB4II7UAZ5udM8PaFbCfBGCJYraOFWILKq/KqAZ
LHA46k1yPhvw5qfibW4fGXjCAwyx/NpGjvytghx87jHMpwDz932IATb0Lwn/
AGU8tjcNF6Pa3KXOKR3A3yWZwwKAKfdUn5DkkA47AnXOv6MLia3/tewE8CN
JLH9pTdGittZmGcgBuCT0PFA/Q0aMViL4y8Lvu2eJNHbaQGxfRnBjxz83FUr
34h+FtORHudUKh842W8rnAAOSFU4GDwTwecZwcAWZ1FFcC3xf8NPL5NiLvUL
gj5ILNY5JJD6Ku/LHHOB61L/AMLS0sXUVM2ka4l/ICws2sv34XGdxiBL7eDz
g9KA5WdzRXBL8Rr4rKH8G66kmMwj7FOVYY4DERfKenQMBzzkYL4/iBqcXlvf
eC9bWCRyivZwSTsMKCSyFFYDJwMjn8CAD5Wd1RXDt8SoIRXbwr4pROd3maW6
kcDGOxJJxjPY0QfFvwfJMbe51FrK6ExgNvcRneGHH8G4frQLIZ3Nfc5pvjzw
rq0XmWuu2eMFts7+S20dTtBwPXGK1rbVdOvQv2W/tZ94VI8qZWYdyCMHvg4
9aBWZdopKKAOCvf+Kr+J8ekyRzHSvD0Ud3MyOyK96xVokYdGVU+ce/fGQe8r
ivhkl7zRNS8QLJ5n9tapc3Skq25l1cxlhLHJAEeR0xuwAMUX+sXfiTgx/hnS
mEVjzRT6tdrlQx53LAgGD8xUhinorKR2IOx0XiO0v8AUPDeoWWmPDHeXMDQ
xvMSETcNpbghkAkgy5IA461Jomj2nh/Q7LSLBdttarLEmQAWx1ZsAAsTkk45
JJqHWfE2ieHYWfVdT7banmCNm3SMo7hBlm6HoD0NceniTxd41cf8lpZLpGj
lwP7W1CMM0qAoS0SZOcgngQQRn50YYACTsehSzxW8ZeaVI0HVnYKB27/AFFL
FLHPEk0TrJG6hkdDIWB5BBHUvYwJ/DrSLFTLqjza7eybWkn1JvNUsoAUhDlc
jBwzbnAYjeRxXYUCFooooAKKKKACiiigAooooAKKKKACiiigAooooAKKKKAC
iiigAooooAKKKKaWAKg5+Y4GAT2z+HTvQA6iiiigAooooAKKKKACiiigAooooA
KKKKACiiigAooooAKKKKACiiigAooooAKKKKACiiigAooooAKKKKACiiigAo
oooAKKKKACiiigDzb4sxn9bwlPE8O/TL7XII7o7sBhniM/7wLe/y8V6RFX/E
/Rr/AFbwh52kjl2qabcxX9osSKzF4z2B64Bjx1OMAHOK0fCHjTSvGWlrc2Eq
i4VV+02pb54WI98blzkBhwch0OEVukzpKKKKZIUUIBoAKK5vVfHvhzR7wWU+
oedel/LW2tlnuJC/9zCA4f8A2Tg1Z8PatqusJcXV/okmlWpK/ZEuJQZ5FiyW
dAMR9QNpJOQ2ccZAszcoooooAKKKKAERH8WX9zpXg/WtQsz5tbGaaJsA7XVC
QcHjAlz+FbNRzQQ3NvJBPEksMilHjdQyspGCCDwQR2oApaHbRWfh/TbWCV5Y
YbWKNJHBDOoUAEg8gkDvXMXvhDUdJ8Vv4k8INZRTXpCapYXjvHBcDIPmqUB2
y9RkqQd5OM53dfZWVvp1IDZ2cKw20K7I416lvYD2qxQFxaKKKACiiigAoooo
AKKKKADFFFFABRRRQAUYxRRQAYooooAKMCIigAooooAKMUUUAFGKKKADFFFF
ABiiiigAxRiiigAooooAKhuLO1u/L+020M3INvj8xA2xsEZGehwTz71NRQBD
9jtQgT7PFsDhwuYDA5B+uec1jnwT4TL7z4Y0Yt/e+wRZ/8AQa3qKB3ZzOoe
APDGpsrT6WI9qlMWS8lupBOTkrSoP41Rf4YeHRJPPbC8truVSn2pLgvlqn7w
Jk3bwwyCH3dTjFdnxRQF2cW3gbUIUjFI4v1gEFy/2qQyKS23G0lyBQu3gcj8
zlzeHfGUm/f44UN/yzeLS41KeuVLEMT6kcY4HPHZcUdqLhdnFTaH44LzeT4r
JUqBF+6gXBwPmx5Dd88ZOe2O0segeL3lfzvGM0aeSFXZawNmTGNxHIA4zzgE
fhXYUUXC5yM3hjxLcW5jfxpN6ALZKi49yrB8++8dvxq/8ll4uYt5njkkFERS
lgysmDnl/fYJPlYwY4POcA13A6UtFwuzi59I8bR3dy9rr/nQHPkJO8Kc9s7b
U4H4k8Dmqkem/EePyd2rWcwU5bddRrvz2OLPnHbG3r7c99RQFzilrf4kLEqN
d6ESZQ7O8juQvdRiJRjgdRnk8jipktviH53OoaBt7EwyMOefujB46D5vc12N

LTuF/l4xYfiLGyxfbdAkjaU/vmgkLom4nnDKDxgYA/H+KmXM/wAQ7ZUITSLn
cxTFrZEkcNDESXSALjHQsfau1o6UXC5yFvrfjFmVpvCwRRGu5XuY1y/chldz
j228Z+8asvqni2dxFbaDZwMcky3F4WVMdBhVGc+oPAPlyMHpqKLhcZCZWgijM
6lkxUb1jcsqtjkAkDlz3wPoKkoopCCiiigAooooAKKKKACiiigBKRmCjLMAO
mc0ornvHE8lp4PvryOK4kFoY7mRba4EL+XHIruQxB4Cqxl6kAgYJFAI6Kior
e4hu7aK5t5VlgmQSRylcqykZBB9CKloAKKKKACiiigAooooAKKKKACiiigAo
oooAKKKKACiiigAooooAKKKKACiiigAooooAKKKKACiiigAooooAKKKKACii
igAooooAKKKKACiiigAooooA4f4gkfavDIO7adVhzzsnG5emOc/Tmu3rhfiB
k6r4TXGVOrrZ44++ld3UrqN9AooooqBRRRQAUUmeaWgAooooAKKKKACiiigA
ooooAKKKKAKWq6hHpOj3upTcxWlvJO/+6ilj/KuF0SG6tfgVLdSPBNqF1ptx
qTTXCR7XmiDTBnDfleWH3uOOcVufEjUpNJ+HWuXUJlIa3MEbK+wq0pEYYHtg
uD+FSeLbb7B8NtXtrSLetvpkkaR5Y5VYyMZzu6DrnP1oGjQ8LzXFz4R0ae6k
ElxLYwPK4xhnMaknjr6cVrVi+EC58E6CZJRNJ/Z1vukGcOfLXJ5APPuK2ut
AjzyRW8afE5YJRjSPCzCUx5YedetyhIxtIRQSMHIJ54bFeh15Vpd9efCu51G
21rTrm80i+vZb86tZRySiHcUX98uDtUAZyGJ44B616Tp2q6dq9u1xpl/a3sC
uUMltMsihgASMqSM8jj3oKktS7RRRQSFFFFABRRRQAUUUUAFFFFABRRRQAic
xquq+L7Vi2n+GbW9VLhkKjUQhlilGx1LKNpBzuUjjAwWzkdPQKATOAm1/wCl
o81o/CEQJIESCeFwg7ksZ13emNq9OtWGs/iJqM26fUdL0uEQkltid7vlccv5
sTAAein8TXb0UFcxwyeANUuBJPf+NtcN64K+ZYytBFtKkf6pmcA89RjtgAjN
RP8ACTQLyZ5tXutQ1eRwB5l80bSDHT94qK547Eke1d99KOnSgOZnEp8J/CQ8
syWI5K0Y+UtgE64bOWYBXABYgZwAOBgDFPf4U+DZXZ3025d3O5nbUrksxznk
+Zk8812dLQTc4uT4U+DpmLy6bcSMWLHzNRuWySME4MnNU4/hNpUZtyus63/o
7L5QE8Y2Kv3UX938ijn7uDz1rvxRQNSaOAt/g94Vh85HW7ltpdubfzBEo2kk
cxqrHk55Y1pQ/DTwtbhBBAxSQRsq+XqI0uAevSTv/Liut4ooBybOei8CeE4o
EiPhzTJQihQ89skrke7uCzH3JNXLHwv4e0ucz6foWmWkxXaZLe0jjYjIOMgD
jIB/CtaigLsQAAAAYApjypG0au4UyNtUHucE4/IGn1TuWs21KyillYXQ3ywR
rKy7gF2sSoOGA3gfNkAsvFAi7RikBBAIOQe4paACiiigDEuvCHhq9ZmufD+
lyuwYF3tELfMSW5xnksT9STWU3ww8Hs+5dLkjbay5hvZ4/IjyR8rjjPauvoo
HdnAt8KNLDFYdZ1qK2EnmR2zSxTRRN2KCWNyCMdc596sJ4D1DT42Gi+MNUtS
5w0U8MEkG05JCxypHsJJyWUqev1HbVdDxUNjZzXdw+yCBGkkbBOFAyTgcmgO
Zs8xuj4q8C2FpolprGmX8l5m30u1h0wwy78jONrMioisXLMD93nOasaRp3jr
whpT29no2m6i8ry3E8qX5aSe4fku29lx1xwCOBjrzT/B0EnjPpxhcePLgL/ZO
KPZ6PGeSADteUHjAPzDkZ5YcYGFsaCm7aHkNlpOsWd2mra34J1jX79Yw0lxf
6hayLCwO5vJhVymbslcDlZgYHFdOvxGBGW8J+KFCrlgdKmLEnHC4XB6nJJXp
xmu3FFAr33OHI+Iki3KCLwtr8lrkiR/7OuBIOOCqeVtPPByy4689Kln8fuln
a28MeIJCpu+bp00YzjndhC2OQOA3OewzXZ0UCuuxwreONduJxHpvhG5mAQF2
uvtNqN3cLvt+R7nB9hxm3P4k8U2sZnm8H/uFKhhFf+blcjkqiRnOOftoMzZx
X0UBdHEW/wASiYrTzta0LWNOChmkk+wztDEo6bpGjTBPTORnvWtpXjnwrxbl
un61bSmThASU3HOMDcBk57V0lrB1vwZ4d8ROZNU0qGWZsbp4yYpWAGAC6EMV
56E46egoDQ3qK4Y/D24slxD4e8Talp1tuGLaUm4jjQfwx5Kso5PVM5ORg0re
FPFqSpLD4zXdHygeykOeADuzMvPA7qcE5xnmgLLudwKXtXDw6J48uV/0rxVH
YkjtBtoYpwwZHfNCu3v8vP170658JeKbpGifxzcGBlwyiyVHZuMNviZGXkd
hSvGR3JIFjtaOa8+u/CWrWtkPt3jdoNPjK5eRriJl7D979pB5LfxbuoHYVaf
4VeGriWwE9S6v7mRNv2i8IEsgwAAdxGScADJzwMUBZdztS67wm4biCQM8kDq
f1H506uPT4X+D1E6/wBjW5ilxilqNseB1A7nqcnJ5POOKSb4d2MimGPUr2Gz
87z1tl4LXy0b1BMJYfXdn3oDQ7HtRXI6P4Z13SNcnTXoZNKIKy2Qt5B8oUi
MJulZY8EjhFQHHi6Y66gQtFFFABRRRQAUUUUAJXOXV9cL8RdMsGylm+I3MqZ
YbZJhJCOB13Kpbn0c+hro81zvi3RrzUbWzvtJI/tbTbhLi2Vp2iSRdw8yNiM

jDpuXJBxntQB0dFIM4GevtS0AFFFFABRRRQAUUUUAFFFFABRRRQAUUUUAFFF
FABRRRQAUUUUAFFFFABRRRQAUUUUAFFFFABRRRQAUUUUAFFFFABRRRQAUUUU
AJiuL8RfDjTtXupNR066n0nVmJP2m3ZtpY4ySoYEE46oVJPUnpXaUUA1scA
ul/EvTSyW2uaVqiKq7HvYzF05I2lhOegyZD68VahvviNESs+j6DdFVYI4rqS
FXOcLtyHI9eevqDxXa0UFc3kcYYfiNeNHFJc+HdNTcS1xbebcMB2Hluqg+md
w657YrPuvhb/AG0ZG1/xBeXWSxSOAHyIDYJAW4abHIGCPGPwGPQ6KBcz6GRo
vhbQvD0McWk6Va2vLrtDpGC5Hu5+Y/iTWvilooEFFFFABRRRQAUUUIAC4ooo
oAKKKKACiigAooooAKKKKACiigAooooAKKKKACiigAooooAKKKKACiig
BKq3t49okLJaT3JkIWPbDs+UH+llmUAD657AEnFWq47xE89x8RPCFgk6C2QX
d7PCWwXKRqkfHfBIJ/DPagFqdIRRRQAUUUUAFFFFABRRRQAUUUUAFFFFABRR
RQAUUUUAFFFFABRRRQAUUUUAFFFFACUVI6/4h07w1pbahqUxSPcl440G55pG
+6iL/Ex9PqTgAkXbOSaa0iluljDK6hmhbBaMkZ2kqSCR0yDj+dAFiiiigAoo
ooAKKKKACiigAooooAKKKKACjFFFAGV4f0Zda0INNiupp7eJ2Fuspz5MWfk
iB6lVXABYk8dew1aQUtABRRRQAUUUUAFFFFABRRRQAUUUUAFFFFABRRRQAUU
UUAFFFFABRRRQAUUUUAFFFFABRRRQAUUUUAFFFFABRRRQAUUUUAFFFFABRRR
QAUUUUAFFFFAHB/ELaNW8JMc8arERjk/fTt3rvK4L4hH/ideD17HVYj/AOPp
Xe0l1GwoopiCiiigAooooAKKKKACiigAooooAKKKKACiigDjviMI59C07
TpVfy9R1a0tXeO48lo1aQEkHucLjH+17Uz4r3DW3wv12RZXiPkqu5X2n5nUY
z75xjvnHen+PI4p38KwyMF3eILZlfaIBRZHXX127eMEbs89DB8Uilx4Sj0hp
o4m1a9gskZy2QzOCCoUZJyo44HqcUblReqOr0qxTTNlsrCM5S1gjhU4xwqgD
+VXKO1LQSJXEaj8NrH+0JNW8N3kvh/Viiok1qgaEDdkgw8Ag8/LkKT8xB1rt
6OKATscd4R8U395qt74Z8QxQQ69YRiUtA4KXMJOBIAPun7uQcfeBwMIV7An6
15/rWbn42+GYbaEma00+4ubmUT4xAwaMAoRz+8KYIOeuRgZr0GgbDvS0mBnO
OaWgQUUUUAFFFFABRRRQAUUUUAFFFFABRRRQAUUUUAFFFFABRRRQAUUUUAFF
FFACVY1rYtcfEzU9QdJDHb6Vb2kUhR1UF5JHkVWztJwsRJAjHy8jnPU1heHd
WvNTuNbgvooopLDUnto1RSpMWxHRmGTyVcHIPlxwDkAA3FG1QBnijk5p1FFA
BRRRQAUUUUAFQXdpBf2U9ldRCW3ul2iljboyMMEfiDU9GKAlolBw3it7eKO
GCJQkccahVRQMAADgADjFS0UUAFFFFABRRRQAUUUUAFFFFABRiiigBKhu5za
2U1wsEs5ijZxDCAXkwM7VBIGT0GSKmpkciSrvjcMp6FTkH8aAOa0i38R6ref
2jrjtpVskxNvpNvIrsUAABnIXlBLKWCQADhi4JA6igUUALRRRQAYooooAKK
KKACiigAooooAMUUUUAFFFFABRRRQAUUUUAFFFFABRRRQAUUUUAFFFFABRR
RQAUUUUAFFFFABRRRQAUUUUAFFFFABRRRQAUUUUAFFFFABRRRQAUUUUAFFFF
ABRRRQAUUUUAFFFFABRRRQAUUUUAFFFFACVjQ6yt54qutlt4yyWECS3Mu7G2
STOyPHf5QWPpla2CQBknArkvAEN3Jp2pa1eBd2s3730HGGFuVvYg3Awdij16
9etA+lzr6KKKBBRRRQAUUUUAFFFFABRRRQAUUUUAFFFFABRRRQAUUUUAFFFF
ABRRRQAUUUUAJiuE0rOqfGnxBeZMa6PplvpwjzuEhmPnl/8AZxgLnPXPau7
BzXC/CyJ5tC1TXHgliXW9VuNQhEx+cswEeRgYGF4GSMHIODgAl7uiigAoo
ooAKKKKACiigAooooAKKKKACiigAooooAKKKKACiigAooooAKKKKAObhh
PjP4iT3Uzq2ieGJxDbxqyulxfFMu7DsYgygDHDEkHgiu9qOKGOBCKUaxqWZy
FGBuYImP1JJJ9zUIAC0UUUAFFFFABRRRQAUUUUAFFFFABRRRQAUUUx3WONpJ
GCooJZmOAAOpoAfrSUtABRRRQAUUUUAFFFFABRRRQAUUUUAFFFFABRRRQAUU
UUAFFFFABRRRQAUUUUAFFFFABRRRQAUUUUAFFFFABRRRQAUUUUAFFFFABRRR
QAUUUUAFFFFAHB/EDnXPCAHT+1l//Rkdd5XB+PRnxD4SDfd/tGM9O/mJiu8p
lbCiiimlKKKKACiigAooooAKKKKACiigAooooAKKKKAOR8bRefe+FEDorL
rkUgLsyA4jkyAwBGeeAcbuQOSKxvEQOt/Gbw3ozp5tpplo+qylGwA+4qjMO5
VITAHpZ9E9OK0PiR5Ag8MSTFFWPxDaPuaTZtxuOQcEdAeDjl4znFU/ATza34y
8WeKGt3SxuXhsrCSXOSsIZZNuQMKWweON2RkkGgpbXPQ6KKKCRO1VdR1Gz0n
T57+/uY7a0gXdJLlcBR/jnAA7k4qI4i8S6X4W0qTUdVuRDCo+VBy8h/uovUn

+XU4AJrirLSNZ+I91b6r4khhTvD8YD22krI2bjl5aQ8ZU54yAcDGFGTIDS6s
s+AbO61rxFrPjm/inRL9VtdKWckMtmDu3BQcBXO0jjPy7ujZPodMhhit4I4Y
Y0jjjUililoCqo4AAHQAU+gG7i0UUUCCiiigAooooAKKKKACiiigAooooAKKK
KACiiigAooooAKKKKACiiigAooooASqVhZG1lvZ3YNLdTmRiGYgKAFUDPT5V
BIHGSfWr1QW91b3au1tPFMscjROY3DBXU4ZTjoQRgjtQBPRRRQAUUUUAFFFF
ABRRRQAUUUUAFFFFABRRRQAUUUUAFFFFABRRRQBk6zpl7qrWsMOqy2NkrIrt
LdcS3C44RZc5jGepUbjxhl6m1pumWWj6bb6dp9ulvaW67Y41zgD1JPJJOSse
SSSeatiigBaKKKACiiigAooooAKKKKACiiigAooooAKKKKACiimLIrs6q2Sj
bW9jgH+RFAD6KKKACiiigAooooAKKKKACiiigAooooAKKKKACiiigAooooAK
KKKACiiigAooooAKKKKACiiigAooooAKKKKACiiigAooooAKKKKACiiigAoo
ooAKKKKACiiigAooooA57xxdLZ+BdcmM6W+bKRFlcZVGZSsqk+2SOx+h6VuxR
RwQpFEipGihURBgKBwAB2Fc141zeW+I6JHGJzqV/Es0OxWJt0YPKxBIwoCgF
ucbgACxFdRQHQWiiigAooooAKKKKACiiigAooooAKKKKACiiigAooooAKKKK
ACiiigAooooAKKKKAM7XftZ8PakLB3S8+yS/Z2jGWEmw7So7nOKp+DLs08C
+H7eaF4JY9Nt1kikUqyMl1yCOxznPvW52paACiiigAooooAKKKKACiiigAoo
ooAKKKKACiiigAooooAKKKKACiiigAooooAjjljgheWaRY4o1LO7tgKBySSe
gxWJ4d8R/wDCRz6nLbW+Nlt5xBa3hLD7UwH7whWUYVWymRkEq3NYvjOWXxBR
dh4GtWdlryFrrVpUAzFZjKhRuGMyP8uQSVwTjvXaW8ENrbxW9vEkMESBI441
CqigYAAHAAHGKAJaKKKACiiigAooooAKKKKACiiigAooooAKKKKACopoYriC
SCaNZlpFKOjDIZSMEEemKlooAytCtdTsbKS11K8S88qQpbXHPmyQgDaZexkz
uBI4OAcDJA1KBRQAtFFFABRRRQAUUUUAFFFFABRRRQAUUUUAFFFFABRRRQAU
UUUAFFFFABRRRQAUUUUAFFFFABRRRQAUUUUAFFFFABRRRQAUUUUAFFFFABRR
RQAUUUUAJ4/O3XfCBBx/wATNB/4+ldyDnPXg46Vw3jr5/EXhFAM/wDExVuO
ejJXdUkMWiiimIKKKKACiiigAooooAKKKKACiiigAooooAKKKKAM7W9Htdf0
W60q7aZbe5TazQyFHxnlKkdwQD6eolyKdBDp3h/RyolzDZadZQhFMj4SKNRj
lmPoOpP1q9Wde6Jp+p3Akv4BdlAoWGb5o1Ktu3Bemc45PoKBIUeL/Djxl4dc
sLg9FS2uFmdzjdtVEJZml5CgEnsKwNW+K0mWtz9h0uzu9T1IruFqkTo4II3K
U2mQMFJONmOOS0tdZdaNpd9KJbvTbO4kHR5YFc/mRU9pZWun2yW1lbQ21umS
sUMYRVySTgDjkn8aATRwuhetR1DULPX/GV813fxSfalbEAGO2c9ATkg4wh
wgUblyTIQGr0GjtRQDbe4tFFFAGooooAKKKKACiiigAooooAKKKKACiiigAo
oooAKKKKACiiigAooooAKKKKACiiigBO1ch8NZ1vvCH9pqAF1C/vLtQPR7iQ
j68Y9K3PEUd3N4Z1WKwQyXj2cywICAWkKHaATwOcdafOmf2L4d0zSvN877F
aRW3m7du/YgXdjXnGcZNAGjRRRQAUUUUAFFFFABRRRQAUUUUAFFFFABRRRQ
AUUUUAJRRXH3PhzUfE2s3U2tXt/aaRBKYrTTbWcRLcx7cM85QksGYnC5XCqM
jJloA7ClqOKNYIUiQuVRQoLuXYgerHJJ9yc1JQAUUUUUAFFFFABRRRQAUUUUA
FFFFABRRRQAUUUUAFFFFACVY/hnU5J/EnirS7hZBcWI9HKpY5DQyRJsIOP4
GGAOMDJJyT1Haul1y4HhXx5belLhtmj6lafYbxkUnypY98kcjADJXb5ilv4R
gnAzQNHcUVHFLHPCk0MiyRSKGR0OQwPIII6ipKBRRRQAUUUUAFFFFABRRRQ
AUUUUAFFFFABRRRQAUUUUAFFFFABRRRQAUUUUAFFFFABRRRQAUUUUAFFFFAB
RRRQAUUUUAFFFFABRRRQAUUUUAFFFFABRRRQAUUUUAUzZbtVS+aVj5cBhj6
AbmBY+5O1B7YPrVuo4Wd4g0ibGOflznjPFSUALRRRQAUUUUAFFFFABRRRQAU
UUUAFFFFABRRRQAUUUUAFFFFABRRRQAUUUUAFFFFACUUVwljN/bnxivriCeV
7PQtNFmwWQiP7RK+9gAOGwqqCD0IHGQDQB3IFFFABRRRQAUUUUAFFFFABRRR
QAUUUUAFFFFABRRRQAUUUUAFFFFACUZorgNT1K68b69P4Z0uWW20aBD/AGlf
R/LJJzgRx5BG088n7wBP3ceYDSudnaabYW17e39tbxpc37I9xMOWIKoEXJ9A
oGAOOSepObtVNN02z0jTolD4FgtYV2pGvPuSSeSSSSSeSSStk1aoELRRRQA
UUUUUAFFFFABRRRQAUUUUAFFFFABRRRQAUUUUAN3DcV5yAD04/OnVkuoPiyBx
IhK2MgKYbcuXTnO7GDjupPHBGSDrUAFFFFABRRRQAUUUUAFFFFABRRRQAUUU

UAFFFFABRRRQAUUUUAFFFFABRRRQAUUUUAFFFFABRRRQAUUUUAFFFFABRRRQ
AUUUUAFFFFABRRRQAUUUUACh46P/ABU/hEdvt69/9tK7yuC8afP4z8JqBki5
3DAzXuXPH9e1d7SQ2FFFFMQUUUAFFFFABRRRQAUUUUAFFFFABRRRQAUUUUA
FGKKKACiigAooooAKKKKACiigAooooAKKKKACiigAooooAKKKKACiigA
ooooAKKKKACiigAooooAKKKKAE+IYPgvU5NZ8FaNqE04nnmtLzNIMfNIBhz
xx94HpxW6WCqSSAAMmua+HaOnw48OB1ZSdPhYAyF+CoI5JJ6Hp26DAGKA6HT
0UUUAFFFFABRRRQAUUUUAFFFFABRRRQAUUUUAJRRnia1zxr+k3U+m20c+o
60kQaOwtoXYsxGVVnVSqZHJychechJlCV9JpqKjid3hR5lzG7DJQkEqfTjip
KACiigAooooAKKKKACiigAooooAKKKKACiigAooooAKKKKACq17ZW2o2F
xY3cQltriJopYzkbIYYI456GrNFAFHSNLt9F0i00yz8z7NaxLFF5khdgqjAy
T/8AqHQcVepBS9qACiigAooooAKKKKACiigAooooAKKKKACiigAooooAK
KKKACiigAooooAKKKKACiigAooooAKKKKACiigAooooAKKKKACiigAoo
ooAKKKKACiigApKKgvJre3sLie7kWK2jiZ5XZtoVAMkk9gBnmgDN8JzvdeD
9GuJHaR5bKGQuwAJygOfI4H4Vs1heDI5ovBWircE+abOJipOSmVBC5yScAgZ
74z3reoYBRRRQAUUUUAFFFFABRRRQAUUUUAFFFFABRRRQAUUUUAFFFFABRRR
QAUUUUAFFFFAGfrWsWfh/RLzVtQkEdraRGRzkAnHRRkgFicADuSBXP8Aw20S
60fwhHNqLSNquqytqV95ibCJpcErtwNpA2gj1B6dKm8UaFe+Ida8P2+4rotr
O95fAOB5rx7fJjlxlgWYkjpDnbnXU0D6C0UUUCCiigAooooAKKKKACiig
AooooAKKKKACiigAooooABSdqO1Q3V1BZWc93cyrFbwRtLLIx4RVGST7ACg
DO1vVLmzSOz0uGK41a6Vvs0UrFY1C43SSEZIRcrnAySygckUnhjw/D4a0SKw
SU3E5Jlurpxh7qZuXlBkkkn1JwABngVm+DxPq/2nxXewPBLqSqlpBlgDQWiF
jGDjPzMWaQ8n7yj+EV1VAxaKKKBRRRQAUUUUAFFFFABRRRQAUUUUAFFFFAB
RRRQAUUUUAZVjfpea5qkMcDr9iMVu0rIAGcr5hCtuyQA6fwjBPU9tSuT8C2d
zZL4jS5tJLcya7dSx71IWRHKsrrckgg9RkZDfQdZQAtFFFABRRRQAUUUUAFF
FFABRRRQAUUUUAFFFFABRRRQAUUUUAFFFFABRRRQAUUUUAFFFFABRRRQAUUU
UAFFFFABRRRQAUUUUAFFFFABRRRQAUUUUACh4wXd448KLukjzycgkdCDjj16
fzrvK4Txhj/hN/CXGc3DdOPT/P8AhXd0kNhRRRTEFFFFABRRRQAUUUUAFFFF
ABRRRQAUUUUAFFFFABRRRQAUUUUAFFFFABRRRQAUUUUAFFFFABRRRQAUUUUA
FFFFABRRRQAUUUUAFFFFABRRRQAUUUUAFFFFABRRRQBR1aC6utFvrewlWK7I
t5EgkZmUI5UhSSvIAJByOfSjSNPTSNEsNNRgyWdtHArAYyEUL0ycdPU0msar
baHot7qt3u+z2cLzSBcbiFGcDJAyeg56kVdUkqCQRkdD2oAdRRRQAUUUUAFF
FFABRRRQAUUUUAJRR2qK4ulbS1mubiVlOlUMkkjthUUDJJPYAZoAmopiSLLG
skZ3I4DKfUGn0AZPiLU59J0Waezgfzfv+6s7bco86ZuFXlgMZ5PPChj2qt4Z
8NR6BbyyTXD3uqxbebeXsqgGlc9QoAG1AckKOBk9SSTmNGdHKglCSvsen54
/mafQFxcUUUAFFFFABRRRQAUUUUAFFFFABRRRQAUUUUAFFFFABRRRQAUUUU
AIKKBVa9vFsoFlDJHDSxxARoWOXclnA7DOSfQGgC1RRRQAUUUUAFFFFABRRR
QAUUUUAFFFFABRRRQAUUUUAFFFFABRRRQAUUUUAFFFFABRRRQAUUUUAFFFFA
BRRRQAUUUUAFFFFABRRRQAUUUUAFFFFABRRRQAUUUUAJXOeN7h18My2FtMlr
vVHXT7dtzKQ0hwSCoJBVN7f8Bro6yde0yXVLW0W3aNJ7a+t7IGckYVJFLgY7
mPev/Au3UA0aqqqfUAKBgADgCnUUUCCiigAooooAKKKKACiigAooooAKK
KKACiigAooooAKKKKACiigAooooAKKKKazhVyQTyBwCepx2oArNqFmuoppx
uovtrR+aLcMDJ5ecbyuLlnjceM4GcmrVcho0j6j8SvEV1LZGNPtbWwt5jg7
t26WUdOD80WRzwwqnowrr6AFooooAKKKKACiigAooooAKKKKACiigAooooA
KKSloAKKKKAGiuHjMXxHu1aS3kPhS1c5iuldhv7hH4OGHMKgA8Y3McHhSpve
LnuNTu9P8MWrzluoI2vZYMZitlHzAnB2h87AeuTx0NdRFDfBwRwwxpHFGORE
QBVVRwAAOgxQMkooooEFFFFABRRRQAUUUUAFFFFABRRRQAUUUUAFFFFABRRR
QAUUUUAFGKKKACiigAooooAKKKKACiigAooooAKKKKACiigAooooAKKKK
ACiigAooooAKKKKACiigAooooAKKKKACiigAooooAKKKKACiigAooooA

KKKKAOA8d4bxb4RQHBF8p9vvp/hXf1wHjhd/jLwkpKgfawQW6ZDqfzrv6SGw
oopiCiiigAooooAKKKKACiiigAooooAKKKKACiiigAooooAKKKKACiiigAp
KWigAooooAKKKKACiiigAooooAKKKKACiiigAooooAKKKKACiiigAooooAKK
KKACiiigDn/Fel3+r2enWtl5JiGp2092spwGgjkEhA4OTIF44z61v0npiloA
WiiigAooooAKKKKACikooAWiiigBK4LxXK+ufEHw74UCBrOHOSxwBGSkZKxA
g8FTJtyMEn2xz3tef+BgdV8c+ONfYRbBfJpcl6un2dMPyQMBiynA7j2BINHo
FFZuua9pnhvS5NS1e7FtaRkAuVZjkngBVBj/AdAT0Bqt4e1DWtTFxdanpkWn
WjITZwmXfPtxyZNUVHOCME8HnGOQRt0tJSE4Ge1ADqKhtrq3vraO5tLiK4t5
RujlicMrj1BHBqagAooooAKKKKACiiigAooooAKKKKACiiigAooooAKKKKAC
iiigArlviLDczfD/AFh7JwlzbRC7jJjD8wsJejAgn5PQ11HajtQCK9je2+p6
fb31pJ5ltcxLLE+Cu5WGQcHkcHoeasZrznSL1/hzq8Phi+tpzoGoXzLo1+h3
rC8p3fZpB97O8thiWzu9FOPRqAaFooooAKKKKACiiigAooooAKKKKACiiigA
ooooAKKKKACiiigAooooAKKKKACiiigAooooAKKKKACiiigAooooASiisPwr
rN9rmkG51HTHXYlIdfLSZZkKhiFIdTycDBBAYEHKjigDdoooooAKKKKACiiig
AooooAKKKKADFJilpuRuAzyRkCgB1FFFABRRRQAUUUUAFFFFABRRRQAUUUUA
FNyc9setOooAKKQjI1559KYzFSg5OWwTgnsT26fj/hQBjRRRQAUUUUAFFFFA
BRRRQAUdqKKAOR8ApJJY6xqUjsf7S1ae5VWZGKKAsYXKfLkCPHGcdCSQTXW1
m6JGsenuiEEC6ueQoXnznJ4HHXv368dK0qAe4tFFFABRRRQAUUUUAFFFFABR
RRQAIFHasdfEEMvil9BggklggE1zKGULDu+4CCQzZw3KggYGetAGxVTU7+P
StKvNQmWR4rWF5mSMZdgoJwo7k44HrVuuK+Km+bwJPp0DhbjUbq2soVyRvLz
ICvBHBXdnkcZoBblj4e2F7D4dbVNWtpYNX1ad7y7SYgumTiNDwCAsYQbTyOR
x0rraaiJEioiqqKAFVRgADsKdQD1CsXxJro0awC26faNVut0dhaKazTSAZ+7
kZVR8zHlwAe+M6lzcw2dpNdXEgghRpJHPRVAyT+ArnfCsE2pTTeKL4Hzb9F
Fim7/UWZAZVIHG4sSxPPUc8AAGjR0LRf7LS4ubmQXGp3rCS8uf7xHRFHZFBw
o+pOSSTr0DpRQIWiiigAooooAKKKKACiiigAooooAKKKKACiiigAooooAKKK
KACiiigAooooAKKKKACiiigAooooAKKKKACiiigAooooAKKKKACiiigAoooo
AKKKKACiiigAooooAKKKKACiiigAooooAKKKKACiiigAooooAKKKKACiiigA
ooooA4HxiA3jrwkvQfaCc8DuOOf8+ld9XAeMIMvjzwpGv3hPu6dgc9B/wDq
rv8AtSQ2FFFFMQUUUUAFFFFABRRRQAUUUUAFFFFABRRRQAUUUUAFFFFABRRR
QAIH40UjokiFHVWUjBUjllpAOooooogFFFABRRRQAUUUUAFFFFABRRRQAUUU
YoAKKKKACiiigAooooAKKKKACiiigAooooA5WLT49T+llzqVwolGk2sdvZn5
sQyyhmlPlxuKeUMjPB966mttcQtcXFsLmGS6jleWNDho1YnZlckjXr0OCR
VqgGLRRRQAUUUUAFFFFADSMjHODxwcVyXwx1G+1b4eaVe6hcNcXEnmizSmze
gldUOMDjaFxxXVTq728qxEB2QhSegOOKraRpkGi6LY6XalzBZwJBGzkbiiqA
CcADJxzxQHqVUUUUAZmv6mmj6Hc3rTwQMoCRSXAbyhK5CR79vIXey5PYEmoP
CujDQPDFhp28vJHHumkK7S8rEs7Y7ZZmOKqeL0e7j0bSwkbQahqSRTh1BwiJ
JNkZ75iGK2NU1Sx0TS7jUtRuFt7O3XfLkWJCj6DknoMDk0dB9CrqPhzTdW1r
StUvYfNn0syNbKT8qu+35iO5G3j0Jz1xWtSAggEdKxPE/imw8LWCTXXmTXM7
bLWzgG6a5fj5UXqeoye2fcUC3E8UeLtl8laet1qtwQ0hKwW8Q3Szt/dRe/Uc
8AZGSM1gWPhbUPFU9vq/jRo3tygkt9AVSYLYk5XzSceZIF4ORjJYDg4p/g7w
1qE99P4o8Vlza1cSf6PbGTdHZRLuCqoAAzhmPOTz2JbPc0Demw2GGK3hjhhj
SOKNQiligKqgYAAHQcn0UUCiiigAooooAKKKKACiiigAooooAKKKKACiiig
AoopvPY0AOooooAKKKKAGvGkkbRuisjAqysMgg9iKdRRQAUUUUAFFFFABRRR
QAUUUUAFFFFABRRRQAUUUUAFFFFABRRRQAUUUUAFFFFABRRRQAUUUUAFFFFA
BRRRQAIFArO1/V4tA0C/1add0dpA0pXcF3YHAYfXp/Q0AYvjDxjb6Bb3Vjbr
cT6r9hlu1SBVPkRKD++ct8oQMAP4ieymua8LaV45n8P6NLaaZaZpzWkTxwq
hndg/wAxeTzFLFYG6BIAPsMHn/EGiXem/Cq5n1VppPFvi26tYJmwSd7OGSHG
BtARSCP7xl6YA9uVVRQigBQMADtQXdJHCRn4naTCzOui63HGVIj8wxXEufvL

vCpGoHY7TwOeuRdtPiNpK3507XYp/D96E3BdT2xRSkcP5cmcMAeM8buoyK7C
qWq6Tp+t2D2OpWkVzbP1Rx0OMbIPVWGeGBBHY0E3TLtFeZ3VnqPwsAvdIS51
DwkGLXtmzGWaxXk74eR8gzls5J5JPJYejWt1BfWcN3ayrLbzoskUiHIdWGQR
7EGgGieiiiQUUUUAFFFFACVjXST/wDCY6VJGiGAWV2sjEHIJeArg4x2PBlz
1GcGtmufdLc/EG3kw32INKIGfLwChIT+LPPK9AOM8nkZECOhooooAKKKKACi
iigAooooAKKKKACiigAooooAKY5UldxAUDJOcYHrT6MUAIDkZII9j2paKKA
CiiigAooooAKKKKACiigDk/BN8jtr2lurRXdlqty0kbptJlleSNx6qwY4P
fB9K6usXQ7dTfazqQSNftl4VBRyxZYIEWWYBg7kbgZGMd81tUAwoorN1rXtP
0CzS41CYr5siwwRlpeSaRuFRFHLmfQUAadFJS0AFFFFABRRRQAUUUUUAJXH+A
7eOV/EOtEbptR1adfMJyxihbyUXPoNjEDoN1dhWV4e0ptF0k2TOZD9puZgxc
uSJJnkGSQOcOM+/c9SB0NWuf8YaBca/o8MdjNDDf2V3DfWjThjEZYm3KrhSD
tPQ9cZyASBXQUUAZ+i6rDrej2+owRyxLKDUILXa8TqSrow7MrBIPuDWWhXF3V
5L4U8bq832aHQtDkVWkb5DHfbcD1z5ioo5wBs65J3dZeN+4aFLbeecNHA5x
nftJG0HIJABOMHgHtQOxDqmnwaxp0unzyMLacbj1RsM6d1yDkZ6EjnGcYPIv
Ae1cXP4q0jwFoen2Ov6grasbVXljjkaRppMAM29zwCwIUyFRxjPHFBLjx14y
b93CnhbRzkFpA0I5OAXUjHymNSMcjaw4Ksc8AWZ3V7qFlpsAnv7u3tYS20PP
IEUn0yT14NVNJ8Q6briRyabLNPDJH5qTC3kWNlyBw5UKTk9M54PHBxi6b8N/
Dtncy3l7btq19MuyS51JvPYr8vy/NnIBQEFssOmcV11AaC0UUUCCiiigAooo
oAKSiq0F/Z3VzcW1vdwTT2xAnijkDNET0DAHk5wetAFqiiigAooooAKKKKAC
iiiigAooooAKj25nDkN8qkAhzg5PPy9Ow59z6mpKiESrcPMC+91VCC7FcAkjC
5wD8xyQMnjOcDABLRRRQAUUUUUAFFFFABRRRQAUUUUUAFFFFABRRRQAUUUUUAFF
FFABRRRQAUUUUUAFFFFABRRRQAUUUUUAFFFFABRRRQAUUUUUAFFFFABRRRQAUUU
UAFFFFABRRRQBwniPLfE7wsiEBtsp5z0Ctnp7A13JGfWuF8R4HxP8ME78BXx
s65w4/L19s13JJDYUUUxBRRRQAUUUUUAFFFFABRRRQAUUUUUAFFFFABRRRQA
UUUAFFFFABRRRQAUUUUUAFFFFABRRRQAUUUUUAFFFFABRRRQAUUUUUAFFFFABRR
RQAUUUUUAFFFFABRRSfjQAUvN6LreneldKh1TSbkXNnNnZIFK5wcHggEcjuK0
KAocvLdR8RNJuYYx5raZdRzuB1jEkJQE+zE4+r+9dHWPpMlvc6trc6W5S4iu
UtXldSC6rEjQBkn5QZGxjAySQPmJPLa54v1bWvEF14V8GiE3MG1b3VGBdLlk
kMMY2lgBxyfmBXbwxUGlc6fUvFej6XrFl0893v1O9dUhs4FMkpBPLFV+6oGS
WOBhT6VtVzfHxwZp3hZjP4nkutUugDeX87EvO2SScZwoyeg9BkkjNdJQDt0F
ooooEFFFFADaM4rnDe2eq+On0qW18xtKtUuQ0hym+RvIzVzjcoQ4bGRuIBGT
npKACivL9Hv77wJoNz4RtbVLi/t777JonmszfalmZpFdwqghY1LF2AC/u2AI
NdL4K1rUtQfWtM1me3m1HSb37OZIY/L8ylorJlyhmALZbgHtyAc0DsdXXL4
RXUPGMuvaxlt0lsyDS7X+CABQTIwxy+8sR1AAU9QMamra/Y6PcafbXBme41C
cQW0MERkdj1ZsDoqj5iegArUoEc/4s8V23hPT07iW1uru4uJBBa29vEzGWVs
7VyAcdD6nAOAeIYvhjwvrFx4gHivxZNE+prE0VlaRqu2zRjk8jl34+XgnAyC
z5GO6ooGnZaC0UUUCCiiigAopOaWgBhXLhtzcdADx/8AXp9FJQUUyWaOCGS
aaRI4o1LO7thVA5JJPQUy0u7e+tY7q0mSe3IG6OWNtyuPUEdR6HvQBNzTEIS
WJZY5FeNIDK6nIIPQg+lcr4+1m80nwtqklqsluFtQFvQEYLI7iNUVSwO75s5
PA468gVrT4WeGxEn9qxT6xOlFKMI9MzgdEUTO1OvG0DA6d8g0tLk9545ivLy
TSfCtu2takBtaaHmztWOMGaXOMck7U3MdpGAcV1VuJlt41uJUknCjzHRNis3
fC5OB6Ak/U9ajsNOSdLftdPs7e0tIJKw28SxoCeuAoAqzQJi0UUUAFFFFAB
RiiigAooooAKKKKACiigAooooAKKKKACiigAooooAKKKKACiigAooooAK
KKKACiigAooooAKKKKACiigAooooAKKKKACiigBK4L4giPWNb8KeFi0Df
bNQF3cQygsGggBdlZRwVbG35uM/Tjva5G3aa9+LF1lozb6dplt2Pm/dklkV+
E7ZWPK/7loQ0Z3inGrfFPwjo4kkEdok+p3MallDbcCI5HXDg5B49etd/Xn/h
Ux638UPFmuB3kjsBHpFs2xIVdvzTJyMMRIA9gR616BQDFooooEMeNJY2jkr
XRwVZWGQQexFcD8OXfRdU8Q+C5XiKaVdefZFWVSYJv3m0IAPuluSBjLYHSvQ

K87vlfS/jvpU6DbBq+IS25wD80kRL5/Bdo//AF0FR1uj0WiiiigkKKKACi
gBK5qATXXxKu3aZxBYaVEkcS/dLTyXJ46gQJ2J9a6UVQtNMjtdT1DUNxee
8MYJOfIRFwqDJPADuMDLnjOSQDQooooAKKKKACiigAooooAKKKKACiigA
ooooAKKKKACiigAooooAKKKKAEoqve3tvp1hcX13Klra2iaaVyCdqKMscDn
gA1jeGfF9n4nNzHDZahY3FvtZoL+Dy3ZGGVdcEgqfY/XqMgW6nQ1keKdX/sL
wtqeph1R4LdmjLnC+YRHm+g3Ec1riua8e6e2reDbzTouJrmSGKI+Z5e1zKm1
t3bB54yeOAehECNPw/pS6JoFjpy4JghCuwYtufqzZPJyxJyfWtKiq99fW2mW
E99eTLDbQIZJJG6Ko6/WgCh4k8S6Z4T0SbVdVn8u3j4VV5eVz0RB3Y/4k4AJ
rlvB3h/VNV18+OvE8Jg1GaAw6fpropNhASSMnGfMIPXggMwPXC0/D0V18RvE
dp4u1GFrbQtNdxpFi4VvPkyR9oc4+m0DOGGQeCW9MoKemgtFFFBIUUUUAFF
FABRRSZoAKK5jwh4h/4S2K61qC2urawMpt7XzpAfPVMbpNgGF+bco+Yk4Ocd
K6egGrFe9vbbTrOW8vJkgtoV3ySPwEHqfQUlhfW+p6dbX9pJ5ltdRJNC+0jc
jAFTg8jg1k+NtLvta8E6vpumlfld1bNHGGfaGz1XODjlyPx6jrXO2Q+IWn
6ZYQ6dpWixWFrbQwi0uZWNYdqBT8yHyx6jnpQNK52WsaRa67pNzpt4uYZ0Kb
IA3ISOGXIIBHUcGuR1Twz4nk1G2t9O1ZvKa3MM+rXgVrhYs5Ma+WUwXJGSio
37tWMhIVRv8AhDxDL4m0IXtzps2nXKTSQTW0ob5GVscFIUkEY5xwcjtW97UB
qjmvDfgTQ/DDyXFrFLc30reZLe3cnmSyP83zk9A2GYEgAnPOa6WiigTdxAKK
KAEqK4uoLSEzXM8UMQIBeRwqjJwOTSzzw2tvLcXEscMESF5JJGCqigZJPPAA
HesJPDon6rYS/wBuGDXFuZnu13njDRxqwwixDJCAJtGVPJy3U0AjoaOa5nwC
8h8H2sDRPFHaPLZRRyEGRUgkaEbyCRu/dk8ZAYBk4yda/wBb07S7ywtLu5CX
OoSmG1hCInkYDjwFBIAHVjwMjJGRQFjQozzWfrGuaZ4fsDe6rexWtvu2hnPL
tgkKoHLMQDhQCTiq2sWGqajeaHaagtIYRyGW8CKTNNgjZGrZwqk7ix6nao6
FqAlNb8beHfDzPFqGqwLcoyqbWJvMmywyuY1ywxzyQByOa4vw54zu10u4k03
w1qOqa7fXmIxOoLrAhMh2Qm4ZdilltnGAvHXJ50PFuk2VIBFoXhuwtbbWdbl
eKS7SAvJBC4HnzFgM5xtHJHLLzXdaZp8Gk6VZ6bahvs9pAkEQY5O1FCjJ9cC
grRI5eyf4gao6G7j0nRLR5XZtuZ7tIsjYuMmlNgHLZYYYfKCKK6+NWRARsNI
R/E2Mn8gBT6KCRaKKKACiigAooooAKKKKACjFJS0AFFFFABRRRQAUUUUAFF
FFABRRRQAUUUUAFFFFABRRRQAUUUUAFFFFABRRRQAUUUUAFFFFABRRRQAUUU
UAFFFFABRRRQAUUUUAFFFFABRRRQAUUUUAFFFFAHC62f+LseGVbX+5m/9FyV
3XauE1k5+Lnh1R2glzj/AK5y13dTEbCiiiqEIRkYzS0UUAFFFFABRRRQAUUU
UAFFFFABRRRQAUUUUAJRUVxcwWlu9xczRwwxjc8kjBVUepJ4Feay6jr3xK1F
rTR5LnSfCkcxXF+pCTXW0gFUH3k5GO3Gd2eYyDSuaupePLjUdWfQvBVrDqu
oR8XN5IT9ks+uN7DlicHhT64zgikXwp42nSEXfxAKK4UzRx6bGp3AgnA6IT1
6ZGD/ECCRXT+H9B0/wANaNDpmmxlll+SWOWdj1Zj3J/lcAAAADUoC/Y5DwZr
+p3N5qPhvXwJNa0rYzbqHBIulpMIHGAnrY4KkDpkdSB19U1snXWHvhdyew8C
wm2CJsJDE7y23fnBwBu29eM81coELRRRQAUUUUAFFFFABRRRQAUUUUAFFFFA
BRRRQAUUUUAFFFFABRRRQAUUUUAFFFFAHENdL4T+IMNm0H2fRNdjVIZAwWGK
+Xd8mOApkTbjuzLwM5rtqoaxo9hr+k3GI6nbcWc6gSRkkZwcjBHIIIBBFZW
g6Fr2jyxx3HimTVLFCyiO8tFMwTHyDzVYEsONzMG3ei0D3LOm6ZdW2l6kqXE
8d1eXVxMjvlHmw5iE25UgDaFIBBAJ5BqxoWh2nh/Tja2oJaSRpriZiS88rfe
kYnkkn8hgDgCtOii4ri0UUUAFFFFABRRRQBwvhuaOb4seNsNvaKGwjBwDs+S
QIQR05wcHv8ASu5qvBYWdtdXFzb2kEVxckGeWOMK0pAwCxHLYHTNWKBt3Ki6
ZYrqraotpCL9oRA1wEG8xg5259M81yv8LF428dauYkWASW0DGHfLJI0UG5j
tAJziRVAXOSvTPJ7Ws7S9Fs9HI1F7QMv9oXbXkwJGPMZVU446HYD9SaATM3w
34fls7ifW9YKT+IL1ds0owVt4txK28fAwi55PViMnsB0dAooELRRRQAUUUUUA
JWZ4i1f+wfDepav9ne4+xWzz+ShwX2qTjPOBxycHAya0+1ZHimwuNV8la1p1
oqtcXdjPBEpOAWZCAM9uTQByXiDRdQk0K88XarqN7b6pYWEs8VjY3zpxBAX
CHaFZ92AGOee2ABXd2E9xcabaz3UAAt7mSFHhD7xG5AJXPfB4zXDS6kni17P

wY9vdHFsr680bPF9IAVSSRLod4kbl4YEqrHJFehU2NtlTVHu00i9ewUveiBz
bqNvzSbTtHzEDrjqQPWsCPxp4Z0fQIZr/W1gjh8tjeyhp3dAA44z5jg8Nsz
zXVUUHhBXA1D4iMlq1jdad4TIDXDxKmG4viGOERQ2VilALFgCQQFxlHdxRRw
RJFDGscAKFREGAoHAAHYU7tRQDdzi/iaDP4bsNP8oSR3+rWVs+U3qFM6nLA8
Y+UDkEc4xzkdpWPr+grrx0oPdSwRWOoRXzLGBmYxglUJ7DcVJ4OduOM5GxQA
uKKKKACiiigAooooAKKKKACiiigAooooApvqMCavFphJ+0ywPcKOMbFZVPfP
Vx/nFXK4vxvK+jar4c8Tb8W1ldmzvNzqkaW9ztQyMxHAV1jPHuCCQCTXZZyOO
hoAdRRRQAUUUUAFRRRQAUUUUAFRRRQAUUUUAFRRRQAUUUUAFRRRQAUUUU
UAFRRRQAUUUUAFRRRQAUUUUAFRRRQAUUUUAFRRRQAUUUUAFRRRQAUUUU
UAFRRRQAUUUUAFRRRQAUUUUAFRRRQAUUUUAFRRRQAUUUUAFRRRQAUUUU
LBNp4BXiuuupzb2k06xmQxxs4QEDdgZxk8CvKPFULalp3hLwCkrA6xL9ovH8
0l/IXMrYYjDMeTk55UZBzmn0KirnWfCzT5dP+G+ji48oz3UZvHaMcHzWMgzW
OdrKD2yOOK7GmRRRwQpDEixxloVERcKoHQADoKfSJ3Fo000ASuA0uVfFXxSu
tURBJpnh+B7K1mwSrXMM0ysp45VRswARg5zyBV7x/wCJm0vS/wCyNKKWbxFq
e23srRHlk+c4MhwccqgMd3ABFafg7wvbeD/DVrpFu/mumXnn2BWmlblmOPyG
cnAAJOM0DWiub9FFFAgo000AKKKKACjFJRQATFFFABRRRQAUUUUAFRRRQAUU
1O//ALN06e8NtdXXILuEfrEZJZD2Cr3P6euKt0UAc1J4pvHhiNp4b1RribcY
oLiMxgbgOpLgMkffAcqTj6VGniHx11rufwZfrOE+ZftVqVLZH3T53TqeQK6mg
UXA4iTxiq+ny7NU8Fa0CUVkw+wRi6Zs8NnZIFweg3k45wOMyD4gOyO/8AwiXi
dQuPIbT23Y5ycAkHgdSSeneuzooKuuxxh+IRRnSTwp4mVtx8sjTJGUrtBDE
qDjOcYwSMcjPFSP8QbZYndfDvih2XHyLo82Wz6ZGPzx1rrxS0CuuxxifEnS2
laJtK19JVIDo2mS7IJGeQAT0yfoPpUq/EPspZJVg0/XJxFgM0WlzEAsAVGNu
ckMpAxnBB6V1tLT0C67HI23xF0W+jkksYNWvI0A+e10yeVSTnKgqpGRjB7cj
nrhY/iDp00fmRaV4hkUruUppE7bh7YX9eldZRRdBdHDx/FzwcbloljUXtXAU
/v4ipJbtjkjHfIA9zVhfiZ4dlaX7PPJdRkXkMlvtkB29QNrE9DnOMAdSK7Di
ijQNDin+KHh63k2XpurlAKf7iPy1yBk43EMeMdBnBBxVLUPE3hPXL+11HRNe
iOu20Uq2z26s4dCOY5QEbe92SFOcZGMg9c+hdqrXum2OpQmG/sre6ilwUniV1
P4EUXQXRI6V4t0fUtPW5a+treQblmhl2GN1++vzYJx64qDUZIt8ReHVt7h
ZbZHnuSY13xsUTaPnHCsDjKZ64auY8S+E9M8P6ouv23h21v9MndltRtVtQzW
keCDPDt5XGcsFBJ6jHzGoLXwj4c8Wakl3osN2NDC3Fvczi8nRZmymFhViQYw
Q6kqFGQME4loWhVono19qdjPilby5jiMhliQnLysBnaijl2wPuqCT6V5IY21
/wDFrUodSvwIPCIheu1tDtdHvCjYg5SSrKe7HkYZQBlmroT8LdHN7c3Z1DVG
lnj8oM8ySGNcAAKzIWIGOAxIHVYJd/DmzvbX7u41rVXmYEBYtsWTP91jDu/W
kC5VszsY40hiSKJFSNFcoiAAKB0AHYU+uQ/4Qa5EbxL4z8SrE0flhFmgG0ex
8rIPTBGCPWmyeBbkF5Lfxfr6z+UUj82dTHnGAzqioXIGOS2eBzTJsu52Vfcb
HoHjO2tykPi2zdgWPzNNY7fclpmLfjz057FQfH9nC0axaPftkBJpblkJyQC
WVYICrjJwC57c9QWCx2FFcY9x8RIQUFIoU7MCEkR32oexbJUsOvQDPhSo/7f
8blIT/wiM6MoBITfbMJOBkK32kbMnPJDYBHBosFjt6K44+LfEEAU33gq+gUg
sTHcLcbQMZYlgxzz0AJP54jk8c6goWQeF9REJPV7e53Y/wB1IGOE146ZlyK
QWZ2tcv428UR+HtKmhSN31C6tZvsKjIEsw2KsQwQxdjICFXkhWxjFUh8QjFu
a58Oa0sQDMZEsZIVFHO52ISNVGOepXRd8VfCckLPLqVvBlrYELXUDsy5A3DZ
lwxz0zu4Py0WCzRpeA9Bk8M+BtH0mYOJ4YA0yswYrK5LuuV4IDMwHsByetdH
XNQePvDN1BHLa6i1wskYIUQW0sjbS23O1VJHPt0OenNW28V6Qm7fPclArPlr
SYAheuCV5PoBycHGcGgLNm1RWPb+KdEuYBMuoxRRkFg1xmHIGc/fA6Y59OPU
VYTXtHIZkj1axdlbaQtwhIPp168iirMdpelw6TbzQwSTOstxNckyvuW0jly
B2CgtgAdvU5JvVjHxb4bWQRnxDplcv5YU3seS393r19q0/tlt5Hn/alvK/56
bxt/OgLE9FNBznBpaAFopKWgDM8QWL6p4a1XT4v9ZdWcsC4A6shUdeO/fivN
9K+IMNI4G0bw5o9tdXXitbOOwFgke17aVV2F5NwwwqqVJOQccZwOa9aFFA00U
9L0+PS9MhtlwnyAl2Rdod2JZ3xk/eYs3U8muY13QtSh8eaV4l0izgvHaE2F2

s8mPliJLLLHkgDByGxk4PA5Jrs6P5UCTsc9pHhwxzW+q648N9rqqQbhN/lw5
ABWJGYhRwOQAWxk81t3MBuECedLGmTu8ptpYEEYzjl65ypByBzU1HagDN0nQ
NK0MSnTrKOGSY5mmOXImOScySNInOSeWJ61p0UUAJS0gpksscMZkikWOMdWZ
sAfjQBJRRRQAUUUUAFFFFABRRRQBzOs6vcv4s0fw7Y4Vpla+vJdxDR28TLgD
pne5VT1+Xdkc5HS1zOp6bM/xA0DVLVzH5dtdQXYEeRLEdhUFsHGHCkDgnnng
g9NQNi0UUUCCiiigAooooAKKKKACiiigAooooAKKKKACiiigAooooAKKKKAC
iiigAooooAKKKKACiiigAooooAKKKKACiiigAooooAKKKKACiiigAooooAK
KKAOE1Y/8Xb0Af8ATCT/ANFy13dcDqTb/i7oy9kif/0Vla76pjsOQUUUVQgo
oooAKKKKACiiigAooooAKKKKACiiigBKM0VwfxH169hisvDGiTrFrGtN5Mcg
UsYYyQGbcGkcFju6AKx7UDSuZl5JP8TfFk+IQTyJ4R0pwt5LASv26bhvKDF3
RhTleQOc/MpHpdvbw2ltFb20McMESHl4o1CqigYAAHAAHaqGgaHZeGtCs9H0
5WW1tU2IWOWY9Sxl6kkknAHJ6Vp0A3fYXXXXAgooooAKKKKACiiigBKRmCj
JOBkD86Wo3VpAyHhGGNysQf/AK1ADwgcHGBGex7U6kAAGAMAUtABRRRQAUUUU
AZmua/pfhvTjqGr3iWtsGCBmySzHoqqASx4JwATgE9qxJ/iR4csbVbjU5b7T
oml8kNdWEyrv2htu4KVzG5HPOMjl5q34w0ptSsdNmErlmnaIb30iKhbzEjb5
hgHPAO7jPKjg9K6EEEAggg8jFAzILP4meDtQQPba5EUxuLNHlgUc/e3KNvTv
j9a0V8ZeF3jEi+JNIZCdu4X0RGfTO6reoaFpGr7f7S0qxvdpJX7TbpJg8cjc
D6D8qq3HhDwzeXD3Fz4e0maaRi7ySWcbM5PUkkc596B+6QR+OfDMxk8vWIGE
YyWw20/Lu+U4w3HpnjrxR/wnXhf7M851u0UINxjZiJcevln5u/pUn/CFeFC
u0+GNGK+n2CL/wCJpT4K8KNGEPHnRiikkKbCLAJ6/wANAe6Zlx8UPCFtetZy
apL9pX70SWU7sPqFQ4q9b+OfDNyzhdYgi2LuY3AaEAeuXAFas2kaZcWMtjNp
1pJaStukgeFTG5znJUjBOQD+FZ3/AAhXhQ9fDGjdAP8Ajwi6Dp/DQHui/wDC
aeFiOPE2jnr/AMv0Xbr/ABdqmTxV4ekZITXtLYqpYhbyMkAHBPXpWcfh94XN
yJhphQA5EEdzKsAOMcRBtg/75689aj/4Vx4WNwZ2sbl3JY/PqFwygsCCQpkw
ODxxxxjGKA900B4x8MEAjxJpHLBR/p0fU8gfe79qguPHfhi3dFbWYHV0LrJA
GlijwDgjegKg54xnPtRZ+BPC9iF8vRbaUqQytcgzsCOhBkLEEVPH4N8LxOrx+
G9HR1BCstjGCAev8PuaA90y5/if4Ptk3TaqycE7TZzbhjGRt2ZBGeR1HPoar
H4v+A1kETa8qv6NbTDsD3T3FdbBpWnWp3W9hawnaEzHCq/KOg4HTgce1W6Ba
dDi4vix4JmDGLWWkVRkILSdhjOOoT1rVHjXw5vkR9UiiMec+cjRhsf3SwG78
M1uSxRzxNHNGkkbDDK4yCpCvKkR+DvDESBI/DmkliuJAq2MYAbs33evvQHujB
4z8M4TzNe0+B3AljubhYZOemUchh+lqRPF/hqQ7U8RaSx9Bexn/2ao28F+GG
YsugabG7HLNDbLGWz1yVAJBz0PWoZvAXhWeaGRtCs0EQwIol8uJh6PGuEcf7
wNA/dLieKfD8oBi13TJAQSNi2jZA6ng9qP8AhK/D3lrJ/b2meWwUq/2tNrAk
gYOchJB/KoR4M8Nb5nl0WzuWlJybpPPKqTnYu/OxAeiLhR2ApD4J8KMcnwxo
pOAP+PCLoBx/DQHuj5vF/h+FXy6tbuqFQxiJkA3HAJ25+X1PQdyKmh8T6DPI
Y4ta093H8K3KH09/cVBH4M8LxDCeHNJHzb8/Y4zz65xUU/gXwtcRrGdCso0V
SirBH5QAPXGzHPv1FAe6bFnqFlqMfmWV3Bcx4B3Qyq4wenlPerNcXefC/wAN
3KHfVvLOZhtMsV00hK/3Ssu9SOe6/IUMPwvsbVXWy13WrRjFCutu8CBwDkA/
uulAWXc7kVy3h7WrvxPrNzqljchfDUCG2tIEYJvJg3zzBu0a42ADqdxPQVyn
iPws+lyaVpen6/r11qerXBtxJcXjN5Vty07IUCggAgc92XnqDvW/hLxZY6da
2Wn+No7aG2CxpGNijZFiVQqouX3cY6liTQDSO3orjG8O+N3Qj/hPUVv4SmjR
YH1yx/pUVxpXxBEHMPiGykUwgfLEklDhcZAMUn3jyeeOwFAkrnc0Vwst8SZ
0iQ32jQCNCnJbyHflccFt8LD34A/pT7e1+ltptlvdHvQxBZLuQgrxyFaOFOM
9MqTz17UD5fM7aiuFSw+Irx00up6ckgwypFMCrnGMbjbEov8XRiTxlRxThf/
ABF08qLjR9K1JGQgfY7jDowwcu0hjBzyAFX6kDqWFy+Z3FFcLN408SWAgk1D
wReJFI+CttMbmUAY5Cxly/8AfTIPfrU7/Ea2itGuZ/DviK3jUnd59ilto9SW
YBQexJGe1OwcrOzorhn+KGMwsPtGkarbit8y4EESB+SEJaUYy8YB9RTF+IW
oXcSS6f4WvZY3c4kkE2xo+zK0cTgn2HHoTSsPIZ3IHauFtGXim+2La+Cz5p

G51nupoAoycENJbqDx24I7jvUskvxE1Dz5ILfRtLiDhYoJnZ5cAct5i7lwT0
+QHB5AI5Bcp2tFcGvhvqvEDRaj4r+yoOn2VVcvznJZUiZfTAJpLjwFqEej3
DQel9Wn1PyX2E6hdJEz87cL5xK9hkkjvigfKu53tLWT4YUj7rwno1xdM7XEt
jBJKZPvFigJz75zWtQSFFFFABRRRQAUUUUAFFFFABRRRQAUUUUART28N1by2
9xEk0EqFJlpFDK6kYIIPBBHGKr6Vplpoul2+m2Ebx2lsuyJHlaQqvYbmJOB2
54HHQVcooAWiiiAooooAKKKKACiiigAooooAKKKKACiiigAooooAKKKKACi
iigAooooAKKKKACiiigAooooAKKKKAKGsRpNod9E5bZJbvGdiFz8ykckME9e
mR9RXCfDe3j13VdV8Xy+Y+X+wWHmcGOFFUMSoOAZMADnn5ODg82/ivqFynh2
z0TT5UjvtbvEsYi/3MNw244OByOmD6dMEu/BWo+H5rbVvB12BdWtklrcWF1j
y9SWP7hdxjbJyx345Jx8oJyFqyj6nfUVxqeOL60WCLW/B+tWVw6b3a2CXVvG
MnrMrADAGTuA9sjBMP8AwsWa5Qpp3g/xHLcsB5QuLMwxNkZyZPmwO2cH2yOa
BKLex3Fc74m8WW2geRZxq9zqt2wjtrWFQ77mztZl3D5cqe46HnAJHO/aPiN4
lISOOzi8M2LFWERnSWbb3Cn5uSCTho0l45610fh/wdphn2eW5ge5ubmQsfOu
pTlyBiCwX0yRkk5Zj94nAwBZLcpeFPCD2Eo1rXrg6j4hmUGSeQDFvlcFlwOF
44JGM+wwB11FFBLdxaKKKACiiigAooooAyfE1/8A2Z4V1a+Chjb2ksiqSACQ
pwMkEDnuePWtC3iMFtFEW3FECIhnnAxnkk/qa57x3KsfhkRMBi4vLWHJYKFB
nTJ5l6DOB3OK6agYtFFFAgooooAKKKKACiiigAooooAKKKKACiiigAooooAK
KKKACiiigAooooAKKKKACiiigAxRRRQAYoxRRQAYooooAKKKKACiiigAxQQC
MEcUUUAVLzStP1CF4b2wtbmKRgzpNCrqxHAJBHJ4FZreCvCjrGr+GdGZY12o
DYRHaMk4Hy8DJJ/E1u0UBcw7jwd4bupGkl0LTvNYgmVLdUc46fMAD+tVW8B6
E0gfGqBgxZdur3ahSeCQBLx+FdLRQO7Of/4QvRNjRhL9Y2jMzjXUUrlUCkAHC
iTAJx1HOeevNUx8N/Cw3bbGcFtoJN7O3C9ANznH4evrXWUUXYXZylz8OfDM6
/uLBbRyxZ5bfAeXPUOSDuBz3qrH8L/D6sJpA0t35m9rpra2WRhgAL8sQAHGc
gBvfHFdrRRdhdnGn4fQrJBjFmpq8Xyq2URghGCA8SoxPTlieg4qa18PeJ7d
XQeK4gjnqti7uv0Mszej68EYJwAcEdYOIHGkd2F2cc+keNUuDDF4gEtuybftT
+Sroc53CEW5BPbmTGOcZpk2jeNooVNt4k+0S9CswHjUDBBJK25Jl4l+7z9Oe
0oouFzk4V8cwql5ZdlmBXiQKzMCf7xygwCeou5C9M0eV4+ZUY3nh/cHOY1t5
UGO2WlTkewCngcjkV1IFFwuchLL49t5YVI0e6EsgUtb2jBYI7s5ecH/vIWP
Sk+3+OklibSrGQq2DPGAecZ5lQzZUY6cnp0547Cii4XOTTXPFjB0Xw1BMyuV
LrdmMA56EOgzxj5lLA/pUov/ABmlvhtE0yWVlxvS9K7GwOdpXlc5P3ge2O56
cUUXFc5CGy8dzXE63Gq6VbW8uGUwxGZ4jnlUyqbjnLbjn2qS38H3NzfJc+l
tcn1hIZN9vamFIYFOMAsi/fYdQtWPSurFFFx3FooppCCiiigAooooAKKKKAI
JZvKlgQIW81ymQD8o2k54Bx0A5wOeucAzVz/AlpliiGiiWyN0j6rAuFkZDGe
SrijBGdrAEg8EZ69K6CgBaKKKACiiigAooooAKKKKACiiigAooooAKKKKACii
igAooooAKKKKACiiigAooooAKKKKACiiigAooooAKKKKACiiigAooooAKKKK
ACiiigAooooAKKKKAPPp3xfsOny7IB/wC2DnH616DXm+7f8XLb2mkH5W7V
6RUx2GwoooqhBRRRQAUUUUAFFFFABRRRQAUUUUAFFFFADcgKSTgDmvOvhzC2
vaxrnja5HmC9uWg012UqUtkwOFPQkgK3qYz2PPUeNbs2PgbXblWCtHYzFT77
DioPh7Zw2Hw78PQwJsVrCKZhuLZeRQ7nPPVmY+nPHFBS0idNRRRQSFFFFABR
SEnjHTvS0AFFFFABRRRQA0sAQMG9E0etCsGGRS4FIBg9TQA6iiigAooooAKK
KADAFJS0UAFFFFABRRRQAUYoooAKKKKACiiigAooooASlrJ8RtrK+Hr1vD6
wPqgj/cLN90n2zgZxnGeCcAkDJGrQAuKMUUUAFFFFABRRRQAYooooAo3Gk2F
3qllqU9usl3ZLlTtKSf3YkAD4HTJAAz1xnHU1dxRS0AN6Yp1FFABRRRQAYFF
FFABRRRQAUUUUAGKKKKAi5Jl4YnlkdUjRSzOxwFA6kn0rK8P+lrXxLate6dD
c/YM4juJ4WiE3fKkWBK4P3sY7DODjnPilqVyPD0PhzTCW1bxBlbKBFXd+7l/
eseDhQh5OOA2eOo7DS9Og0jSLLTbXd9ntIEgi3HJ2ooUZPc4FA7aXLMaeXGi
AkhVAzgD+XFPoooEFFFFABRRRQAUUUUAFFFFABRRRQAUUUUAVZr6GG9trMtm
e4DsiAj01QNzH/ZBKjuu6+tWa5fw5cPrev6zrMsEsUNtO+12e9iN6RNiWQLk

r80olyBnEYz0rqKAYtFFFABRRRQAUUUUAFFFFABRRRQAUUUUAFFFFABRRRQA
UUUUAFFFFABRRRQAUUUUAFFFFABRRRQAUUUUAFGKKKACiiigAxRiiigAoooo
AKKKKACiiigAooooA5T4hXCWXhF72SV447W7tJXZHKKJ58YbkEEfKT0lJ6d6
6qqep6Z26xp72N/EZbeRIZkDsmSrBhypB6qO9XKB30FooooEFFFFABRRRQA
UUUUAFFFFABRRRQAUUUUAFFFFABRRRQAUUUUAFFFFABRRRQAUUUUAFFFFABRR
RQAUUUUAFFFFABRRRQAUUUUAFFFFABRRRQAUUUUAFFFFABRRRQAUUUUAGKKK
KACiiigAooooAKKKKACiiigAooooAKKKKACiiigDmdRdL3x9otiZT/oNtPqD
RBf4zthRifTbJMMdD+FdLXH6SXvPij4hucbobKztrlM3G1zmUqoxyMOpJyOw
wccdhQNi0UUUCCiiigAooooAKKKKACiiigAooooAKKKKACiiigAooooAKKKK
ACiiigAooooAKKKKACiiigAooooAKKKKACiiigAooooAKKKKACiiigAooooA
KKKO1AHmclbvivbnP/L1MPp+4avS68wsSW+J9s3/AE+XHcD/AJYt09a9QqYb
DluFFFFUIKKKACiiigAooooAKKKKACiiigAooooAwfGsP2nwJ4ghBwX024A
O7bz5bd8j9eKXwbcNd+B9AuGwGI063dgBgZMa5wK2+1eaeAL5/BtxL4F1vbb
payE6XeyHZHdo752KW4LguOAT97H8PINK6PTaTNFLigQIFFY+seKNG0HI1C9
CSKodookaWREOfnZEBKp8p+cgLkdaANesB/R/E1lr2p6paWAeWHTnSJ7oD908
pBLIrdCVAXPpuFcaW8TfEu2eJkOheGJmU7iM3F3Dk8DnjIA5xtw3BkHT0HTd
Ns9H02307T7dbe0tkEcUS9FUe55J9SeSeTQU1YuUUUUEhRRRQAUUUUAFFFFA
BRRRQAUUUUAFFFFABRRRQAUUUUAFIDuGRnHuMUtFABRRRQAUUUUAFFFFAEUO
OdtbyTynbFEhdyATgAZPA61m+F9SuNZ8KaRql0sa3F5ZxXEixqVUM6BiACSc
c+tT63bXd5oGo2unzCC9mtZY7eXcV2SFSFbl5GCQafpenQaPpFlplqW+z2cC
QR7zltqFGT64FAF2iiigAooooAKKKKACiiigAooooAKKKKACiiigAooooAK
KKKACiiigAooooAxdN0Vodav9Zvmgnv7j9zBlke37ParysQJPOW3Ox4yWA6K
uNntRRQAtFFFABRRRQAUUUUAFFFFABRRRQAUUUUAFFFFAGZowjW3h/SU02zL
fZ45ZZI1P8leRn2j2G7A9hWIQOIFAC0UUUAFFFFABRRRQAUUUUAFFFFABRRR
QAUUUUAFFFFABRRRQAUUUUAFFFFABRRRQAUUUUAFFFFABRRRQAUUUUAFFFFA
BRRRQAUUUUAFFFFABRRRQAIFFcI438aL4YtFtbC3bUNeulP2OwiUux4Pzsq/
NsBHbk+wBIASuybXfFb2eqx6Do2nyalrkyBxHykFuhP35pMHaMZOACx4GBuB
rb0w332FV1KSCS8UkSPBC0Ubem1WZiBjA+8c9eOg5Twd4bj0Czex1W8N54g1
m2NxqM8jBmfYFTaAQQVXzAOeuc45wM3wp4i1PQPGN14K8T3iTfIR9luxbpEs
ke3HlklAF+6d0x1Vxk4Wgq19j0qiiigkKKKACiiigAooooAKKKKACiiigAo
oooAKKKKACiiigAooooAKKKKACiiigAooooAKKKKACiiigAooooAKKKKACii
igAooooAKKKKACiiigAooooAKKKKACiiigAooooASiiobq7t7G0lurqdlbeF
S8kkjYVUHUK0APkIWJQzE4LBeATySAOnuafXnngubX/FmvTeK9SN3aaEyEaR
p7SeWGU9JZEX72QMjcSAWJUy2tXodA2rC0UUUCCiiigAooooAKKKKACiiigA
ooooA5fwfpl9p0/iSS9tWtheazNcW6mZZN8RSNQ/HTcVY7TyM4NdRSUUALRR
RQAUUUUAFFFFABRRRQAUUUUAFFFFABRRRQAUUUUAFFFFABRRRQAUUUUAFFFF
ABRRRQAUUUUAFFFFABRRRQAUUUUAFFFFABRRRQAUUUUAFFFFABSdqKa5xGxH
YGkwPMNHw/xCs34Gbq5b6/umFepV5b4ZHmeM7NgCQR3DAqwX+HHII5HPQYYPQ
5xkH1GIHYqW4tFFFUSFFFFABRRRQAUUUUAFFFFABRRRQAUUUUUAJjjsXxJ4W
0nxVYfZNUt9+0MIpU4kiLDBKn8uDITgZBraoaA89sfD3j7w/BDZaTrWIXtlb
J5UCX6MgCdshVLZGXGBhWuD90YFPntvindhCbzw9aIMkC0kcB+Bw4khflz/dK
9e9d/wAUUFc3kcAPCPjXUY4hqfjeS3HHmJY24Vvosg2Dr3KHPoK19K+H3hvS
ZYJ0snuriDBSW8meba4IPmKjEoj5AOUVcDSDiuooooE5MWjFFFAgoooooAKKKK
ACiiigAooooAKKKKACiiigAooooAKKKKACiiigAooooAKKKKACiiigAooooA
SiuS0/WNQ1j4ialbWd8g0XSIVt7iARBjLcv82Q+OAq/KRnIIOR0NdbQFhaKK
KACiiigAooooAKKKKACiiigAooooAKKKKACiiigAooooASue1XxZb2Wtw6DY
2s2o6zIgmNrCQoih3YMju2FAHpnJJHhOa1dU1GPStMnvZI5JREvyxRDLysTh
UUd2ZiFHuRWX4R0afStLkuL9I11TUZTd3ojUARyPyYw2SWC9ASx74wu1VAN5

GLlrfWQkAIWxlfY4OKfRRQAUUUUAFFFFABRRRQAUUUUAFFFFABRRRQAUUUUA
FFFFAGfp+qwaldX0VsyylZzeRjlrAgSAAsn1GVz9cdQQL9YGnQy2HirUrSM3
TWVzE14gdR5UMhZldUIX+lgOQzdSSBycb9AMWiiigAooooAKKKKACiiigAoo
ooAKKKKACiiigAooooAKKKKACiiigAooooAKKKKACiiigAooooAKKKKACiii
gAooooAKKKKACiiigAooooAKKKSgDmfGfjG28labFIYJrvULTjFY2cC7nmlx
wMDnGSASmngHpVbwR4Tk0eCTWdab7V4m1EeZe3EmCYc4PkRnJwi8DAOCRno
ABkeC/D+sS6/N4m8V6ZMddkkaONp54jFZW5VsLbqjPznCknaSGJz97d6MKCn
pojlrueVPifpcKJmJ9KuQ+HXj95EQSuc4GMZxj5+vGKk8aeDrPxo32abEV7
ATJZXS8NBj2II52kgZA64HcCqEkmfjXbx7Onh6Rgx6EG4XOPcYGF94eldpQK
9tUcR4B8W6hqz3Xh/wARW/2bxFpiL5+cKLIDx5qDjuMHA25KkHDADt6818eW
Vx4b8V6T4+sFH2e3K2msDBOLZmAMu1cM5UH1bG1DtwCa9JVgyhIIPIINA5W
3Q6iiiigkKKKACiiigAooooAKKKKACiiigAooooAKKKKACiiigAooooAKKKK
ACiiigAooooAKKKKACiiigAooooAKKKKACiiigAooooAKKKKACiiigAooooA
KKKKACiiigBK8/1nPx8SP4ch58OaVOr6tOp4upxytqp6YU4L9wcD5Tydrxi
/iKe2sdL8O5tpr+by5tTKh1sowCxbb1LMAVXjGTyVJBrS8PaDY+GNAtnG04S
C1tlKp5jbmYklmYn1LEnjA54AHFA9jSiiigiSKJfjRQqlgwFA4AA7Cn0UUC
CiiigAooooAKKKKACiiigAooooAKKKKACiiigAooooAKKKKACiiigBCcAkc0
tFFABRRRQAUUUUAFFFFABRRRQAUUUUAFFFFABRRRQAUUUUAFFFFABRRRQAUU
UUAFFFFABRRRQAUUUUAFFFFABRRRQAUUUUAFFFFABRRRQAUUUUAFFFFABRRRQAUU
UUAFFFFABRRRQAUUUUAFFFFABRRRQAUUUUAFFFFABRRRQAUUUUAFFFFABRRRQAUU
D/Kk9gR5l4Ylxbjp/QDNxj5Sf4e3p1969SryrwtubxpbZCq2GuSd2Mqu08jP
fOBx2J7V6oTweM+wojsOW46iiimKKKKACiiigAooooAKKKKACiiigAooooA
KKKKACiiigAooooAKKKKACiiigAooooAKKKKACiiigAooooAKKKKACiiigAo
oooAKKKKACiiigAooooAKKKKACiiigDK0fQrXRJdTe1eQ/2jeteyB2ztdlRS
B7fJn2z6YrUoFFAC0UUUAFFFFABRRRQAUUUUAFFFFABRRRQAUUUUAFFFFADa
WuH1K2uvGPi2fSZL1rfQtKK/a4LaU5v3dARHKQAAGBYFMkkHLAAoa7igBDGj
FSyKShypl6HBGR+BI/GnUUUAFFFFABRRRQAUUUUAFFFFABRRRQAUUUUAFFFF
ABRRRQAUUUUAZ0huh4gtglrus/ssvmXG5Rsfcm1cfeORuORwMc5yMaFFLQAU
UUUAFFFFABRRRQAUUUUAFFFFABRRRQAUUUUAFFFFABRRRQAUUUUAFFFFABRR
RQAUUUUAFFFFABRRRQAUUUUAFFFFABRRRQAUUUUAFFFFABRRRQAUUUUAAYF7o
t1L410nWrd4Ugt7W4troZAd1coyj7p3DcmcZUjsSCQd6iloAMUyKKOCJloo1
jjRQqlgwFA4AA7Cn0UUAFFFFABRRRQAUUUUAFFFFABRRRQAUUUUAFFFFABRRR
QAUUUUAFFFFABRRRQAUUUUAFFFFABRRRQAUUUUAFFFFABRRRQAUUUUAFFFFA
BRRRQAUUUUAFFFFABRRRQAlcffeJb3V/E0/hnwxcW0dzaRI9Rv54HmS2yMli
qCoaQnnlsAKeGOQL3ijXLuyij0vRYPtWvXysLWPCAsCjhp5Sc4jXl7HcSFAY
am8JeG4PCnh230uKUzyjMlzcSnuJmOXdu5JPqSQABk4oGbMUflRhN7PjJLO
cknqf89B0GBUmKMUUCiiigAooooAKKKKACiiigAooooAKKKKAGM6ou5mAGQ
Mk9ycD9adXG2mo3XiH4h39mvlnRNCRFbgHzrxhuHODklp6ZBDEZB4x2VAPQW
iiiigAooooAKKKKACiiigAooooAKKKKACiiigAooooAKKKKACiiigAooooAKK
KKACiiigAooooAKKKKACiiigAooooAKKKKACiiigAooooAKKKKACiiigAqte
nFjOfRD/ACqxVa/ONPuD0+Q/yqZfCxcrc808IDd4r09tsjAJOcqhIXl6sR90d
eT3wO4r1SvK/Bx/4qzTyAOYJ14PQcf4fyr1WnHYJbhRRRTEFFFFABRRRQAUU
UUAFFFFABRRRQAUUUUAFFFFABRRRQAUUUUAFFFFABRRRQAUUUUAFFFFABRRR
QAUUUUAFFFFABRRRQAUUUUAFFFFABRRRQAUUUUAFFFFACVHNPFbQSTzypFDG
pd5HbaqqBkkk9ABUIUdYsDquh3+nJN5DXVtJAJdu7YWUruXkZxnOMj60AYPw
7u7/AFTwqNXvri6f+0bm4uYlbgD9xC0rmNVOAxXbgjOeCAMAav1IUtJ0+PSN
GsdMhdnjs7eO3R2ABYloUE446CrtAMWiiigAooooAKKKKACiiigAooooAKKK
KAEopK85vdXvPiPqF1oXh24ktfD9rKlts1mJ8NORy0EH1BGXzjBPBBG4Glc2
7DxvHrXio6Ro2nzXtnbu6Xupq4EERCAgleQ53EKrEdQCASNnXtRuNM0uSWy

tWu76QiK1gXo8jdNx7KPvMeygmptl0qy0PSbXS9OgWC0tkEccajoPU+pJySe
pJJ71doB26GN4X0BPDehRWlMnzcFmmurplAa4nclnkOPUnjrgYGeK2aKWgQU
UUUAFFFFABRRRQAUUUUAFFFFABRRRQAUUUUAFFFFABRRRQAIMIIWGF5W3FUU
sdiljgegGST7Dmn9q5L4k21xfeCLmxt0LiY3U0EUi25IPIGVDJkj7q7AwJ54
PPFALU6qGVZ4Y5Y8IJFDLISDgjl4PI/GpKKKACiiigAooooAKKKKACiiigAo
oooAKKKKACiiigAooooAKKKKACiiigAooooAKKKKACiiigAooooAKKKKAEoo
pryLGjSOwVFBLMxwAPWgB1Fcv4a8Zw+Jtc1ext7SSK3sVheG4kLK06vuBJRI
BTDIRz1HPFdRQDVtxaKKKACiiigAooooAKKKKACiiigBBS1S0/JS4fz2IRri
TYGIJTB2lcnl3BsdCAQCARV2gAooooAKKKKACiiigAooooAKKKKACiiigAo
pvPrTqACiiigAooooAKKKKACiiigAooooAKKKKACiiigAooooAKKKKACiiig
AooooAKKKKACiiigAooooAKKKKACkpparq1joml3GpaldR21nbrvklc8Afz
JJ4AHJJAHJoAuZpAQRkEHnHFeeM/i3x8Qbd5/DHhtyMSEFNruQD1X/nip7Z5
4zyrYrs9F0TTfD2mRadpVpHa2sX3UT35ySeSfc0DaLqRlJtJgGRuC+BkgEkD
I7DJx/8AXqXFFFAgooooAKKKKACiiigAooooAKKKKACiiigAooooAxND0H+x
L3WJlu2ni1K8N4EdAGiYqAw3D7w+UYyOBxzW1RS0AFFFFABRRRQAUUUUAFFFF
FABRRRQAUUUUAFFFFABRRRQAUUUUAFFFFABRRRQAUUUUAFFFFABRRRQAUUUU
AFFFFABRRRQAUUUUAFFFFABRRRQAUUUUAFFFFABVW/ONPnl/uHFWqq6h/wAg
6f8A65npUy+FjW55p4LLJ4ssQl0kzBOjEH/Vj5TuHryMfjmvVK8q8E4fxXY5
CtttZ2GTjbyoyOffHevVu1OOwS3CiiimlKKKACiiigAooooAKKKKACiiigA
ooooAKKKKAEpagubq3srZ7m6mjhgiGXkkbaqj3NcanivxB4ii87wnpEf2YyS
RLeamDHEsuPmwDvlzkDarA92UgigaVzuaSuEk8N+PpfMmHjpl5SCUij06LYp
JztBIJ2gAYJBPv6wT6/8Q9FS4lv/AA3ZapDEoK/2fly7mLYwv33bgj/lmoGC
egzQHKehUtYvh3xPpvie0efT5HDRkCWGVdrxkj2ZTzhlJU4OCcGtmgQtFFF
ABRRRQAUUUUAFFFFABRRRQAUUUUAFFFFABRRRQAUUUUAFFFFABRRRQAUUUUA
JWXrOtxaKdO82F5Fvb2OzBQqNjODhiCRkZAHHPOccVqVx3iaXf4+8G2sPmvO
Jrm4ZA/7plxCVLUo5LfpTlU8Abm9aENK52VFFFAgooooAKKKKAEFFArmFfI9d
Wl/4XjtGcG51hlpArMA0fkylgcEA9M4OemcEgUAdPRRRQAUUUUAFFJWfq7aj
9ISHTIIaad/LaVpAogXaxL9yeQAAAEwBlwDQBx3ijVr/AMU60/gvw1cvbmLY
+salE2PssZJxehH/AC0bB7jA9edrr6ydtX0zwpP4ekl0vR7OFZ797IIZRGd2y
PzP4NzKsZz3sTxkCQjp5lodB0ycadbebeTEuiKgLtynADPjHGduWOMDqab4a
0GPQdOdWYS311lbn+nH/AC1mb7xHH3R0A9AM5OSQq5o6fYW2l2ENjZoY7aBd
kSFy2xewBJJwOgHYA4q1SCigkWiigAooooAKKKKACiiigAooooASiiszVv
EGk6HbyT6lqENusYyVLZc9MAIMsx5HAB60AadFcDL8YfCaPcRxTXU0sZQRRJ
Dta43AfcDEYxnkPtPpnjl3xLmuYAdL8la9cys/loZlQlc9DukjMm3HuKCuRs
76isDQ9S8S305/tbw7a6XABwRqXnyE44+VYwPY/N9M1v0Ei0UUUAFFFFABRR
RQAUUUUAFFFFABRRRQAUUUUAFFFFABRRRQAUUUUAFFFFABRRRQAUUUUAFFFF
ABRRRQAUUUUAFFFFABRRRQAUUUUAJXBeL7i+8T64ngvSZTDBtSfV7ulqxhhJ
P7oHnZI3DLkcjkA10nifxBD4c0WS7YCS5kPk2Vvzm5uCCY4hgdWlxVXwX4f
bQNCU3ccR1e9drvUpkRQZJ5CXYZHUKWKj2FA1pqctptnbeHPjZDp9vm3sbrQ
BFaQl/ljdfIX1lVWJJyepzzXplcHrdq9x8ZfCcssQkl7C8ll3EsgTCoCozh
W3OMsBkjAPQY7ygcnfUWiiiigkKKKACiiigAooooAKazBQSTgDmlrL8RyCLw
vq0m12C2UzbUJDHCHgYBOfoCaAKngobvCVlc/Li8MI6CuQD50jS5wSSM784y
a6Cs7QbX7F4d0y0KqvkWkUW1VKgbUAwAQCOncA+wrQoBi0UUUAFFFFABRRRQ
AUUUUAFFFFABRRRQAUUUUAFFFFABRRRQAUUUUAFFFFABRRRQAUUUUAFFFFAB
RRRQAUUUUAFFFFABRRRQAUUUUAJS0lc94x8Vw+FNJjnEJur+6mS2sbNThriZ
jgKDjgdyTx26kUAdDRWF4a0jUtOhuLvWtVlvtVwWEk6qzC2gl6RwRn7qgHGT
8zEZbngbtABRva+vrXTLKa9vriO3tYV3SSyNtVR9a4aF/E/j8fal5pvD3hqU
DytoxfXADKQ2CCI1OCBycruyrBgVBpX1Ov1251W300jRLGO71CRhHEJpAkUW

f+Wkh6IR6KCx4AxyRIWfg9ZtRt9W8RXzaxqVu5ktt8ax29qSSf3UQ9AVG5y7
fKCCOa6ij2oELRRRQAUUUUAFFFFABRRRQAUUUUAFFFFABRRRQAUUUUAFFFFA
BRRRQAUUUUAFFFFABRRRQAUUUUAFFFFABRRRQAUUUUAFFFFABRRRQAUUUUA
FFFABRRRQAUUUUAFFFFABRRRQAUUUUAFFFFABRRRQAUUUUAFFFFABRRRQAUU
UUAfVdQ/5B1x/wBczVrtVXUR/wAS64x/zzP8qmXwscdzzbwJ/wAjXbbef9Bn
zjBwN8f5V6nXlfgMBvFtvnnbp07L7HzYx/l16pTjsDCiiimIKKKKACiiigAo
oooAKKKKACiiigAooooAKKKKAPLvGVxH4q8Xw6C9xHHo+kTWz6iXhEomnfnZ
FCFYd8/eGQNxzgivTYI2QxqVRSqgbU+6OO3tXiOj/wCm+GfCV3Gxmm1vxb/a
E7CEKD5bPu5BIHMYbjGeeOufcaCpdhaMUUUEncEJfA8kd9/wkvhTFrr0MpnA
EuRFeA43xkHhC2Ooxk8tz8w2vB3iaLxV4dhvgpiu0JhvLd12tBOvDqVySvPI
BOcEZ5roBivOvEUTEbPFieLbKFRpGpNHba3EkfEZYdt1kem4huOcnuc0FXur
Ho1FJmloJCiiigAooooAKKKKACiiigAooooAKKKKACiiigAooooAKKKKACii
igAooooATxJMLa3+LCTXUoinu9I8ixBbaJtkheVQP4mUFCOhALdRkr1tcl4
4glnk8MC3aNZ1123dM7wxUK5kCIQRnyw+d3BUMOu2gEddRRRQAIFcl4x8af2
BJBpOl2v9o+JL4f6FYrnHUJzJCOiDB+uDyACy3fDWi6np/2i/wBb1ae+1O8w
00aSMLW39EgjPRQMDcfmbGT1loCx0NFFFACdq5/xRpMupHRLiLbZp+qwXRjK
Bt6/NGerLjaJN+efudD0roaSgBaKKKAEzRWfbazZ3esX+lws5urFYzMChVRv
GQAT97jBOMgZA68U661nS7K9hsrvUrS3up8eVBLOqvJk7RtUnJyeBjvxQFi8
KikulYXhkmjR5mKRKzAF2CIsKO5wrHA7AntUGqalb6PpV3qV2223tYmlkOQ
OFGcDPftXLeFvDc12J/EmvtPJrWpw7QCDEbCEg4ii/iTg5J4YnkgHNAWO1qj
qms6dolqbnUryK2jwSN7fM+BkhV6scdgCT2FcnL4R8WILmK28by/ZriVsJJZ
jdHGVIa3qwYsPI5UoSdzfeOaXSvhdpFrdfbdXnuNZu32mQ3ZzGzLnBKnlOBn
gSM+O1BVI3Kj+Nta8WzGy8E2Dx275/4nd7Cfs4X5gxQZ5YHbt+9zkMgAZXVe
HtEudHt5mv8AWb3Vb64KtNPcNtTIGMRxD5Y16nA5JPJOBjaHtRQJvsLRRRQI
SjvXK3+s3Op+LX8L6XcT2b29qt1eX0USSCMMwCxgtuCuw3HDL0GRnHLo9TfV
D+vWOk6tete2mpb1tL6WMI6zjkQvsQR8pkqeCSjDBoHY6miiigQIFcbr+tXV
x4107wtbXlslWtxqF1dl9rsqyAJHF2yWHzBhgrkc8itDVvGmi6PprXMU7anl
sy2y2unEXE7ykEhAoP3sKx5I4U0Dszou1Fc/4WHiKWC7vvEhSCe5m3QadEUZ
LOIDAXeBI3PJYkkdMBeldBQIO1cF49e0tJLLS7CAW2qeJbyK2nurWLbM8Kkb
2MgweFIHJztJxjqO9rgrSjvEHxfv7qeMm28N28cFoQcDz5kLSNkdfklUg9OD
jJzQhxO5gt4bW3it7eGOKGFQkUcahVRQMAADgADjFS0UUCcCiiigBjMVAkqWO
QMA+/Xn86fRgUUAJWfret2Ph7SZdT1KZorWlqCVRnYliFUBVBJJJArQrlfE3
h+513xR4XldY30vTrp7ydDK6sZVT9ywAGDtbnkjr0lzQCNjQ5tUutNS61aGC
2uJvnW1hLN5CEDCsZAFm7k7VAzjHG46VFFAC0UUUAFFFFABRRRQAUUUUAFFFF
FABRRRQAUUUUAFFFFABRRRQAUUUUAFFFFABRRRQAUUUUAFFFFABRRRQAIFHW
uO+IWrr3MGkLoWkuh1rWFa3toirlghG15AVGF2Bg2WIHB9MUAAtTP0dovHfjm4
1wmK50HRsbTTlaMMsl1IWknUnn5cKo4lzyCCOfQaqaZp8GlaXa6fbbvJtoli
QscsQBjJPcnqT3NW6Bt3POdKkuLz4+684jQ29jo8VqzhTISzLloJl4Jy5wDg
4HcGvRq878BPJffEH4ganuLQtewWanBxuhRIYenGR7/nz6JQEtXaKKKBBRRR
QAUUUUAFFFFACcqp2zXulXlqixs00DxgSEhSSpGDjnHPbmrQo7UAc/4H1Ua
34H0a+3s0j2qJMWTYRKg2SAjAxh1YcADjjiugrnPD+kalo2t61Fi1OiXVx9r
swrt5sUjgeapXG3aX3MMHjJ65+Xo6AYtFFFABRRRQAUUUUAFFFFABRRRQAUU
UUAFFFFABRRRQAUUUUAFFFFABRRRQAUUUUAFFFFABRRRQAUUUUAFFFFABRRR
QAUUUUAJRXI+Lbq//wCEi8I2Nm0qwXGotJc+VlybljiZtpIIBXuVOd23oQCK
6uaaO3gkmmDy4o1Lu7HAVRyST6UBYZc3UFnaTXVzMkNvChkkkc4VFAyST2GK
4/wxoc+qa/N401yyeC/k3RaZbT432lr/AA7l/hlBLEjJwGxwSwpmiSSfEKRN
WmJHhVZFks7V0CvcyRtxl+GPYBgSFO0kgAqAp39zQPYPKqahqNtpdm91dOVQc
Kqgs8jdlRRyzHoFGSTwKra/r1n4c0I9QvBK6hgiRQqGklcnAVBkZP4jgEngV

JbWTSTR398p+1hSBGszNHDnso4BbqN+M8kZAOKBGG3hubxLqQ1DxlA2nxYNI
o+T5aHOfMn5xJlCn5U5A3Elq6yjtS0AFFFFABRRRQAUUUUAFFFFABRRRQA
UUUUAFFFFABRRRQAic/pGvz6/rN0dPji/sSz7drps7ricbciMdPLX5gW5yw
wOBkyeMltYuPCOpQaCdupzReVC+8p5e4hWcEHlKqSwl5yBgE8Gz4e0u10Xw7
p+nWVsb3t4FVYiAGBxk7scFicknuST3oA1KKKKACiiigAooooAKKKKACiii
gAooooAKKKKACiiigAooooAKKKKACiiigAooooAKKKKACiiigAooooAKKKKA
CiiigAooooAKKKKACiiigAooooAKKKKACiiigAooooAKq34zp1wAM5jIAA9q
s1U1RmXS7IkOClyRUy+FjW55v4CP/FWwA4l/s6bbz0/eR/0r1SvLfA6oPG8e
xcRNpcssYHQBPY+PqMkcV6ITjsDCiiimIKKKKACiiigAooooAKKKKACiiigA
ooooAKSlpKAPDtNJXwD8N4Lsulw3iTe5b1E8xKtjodxHGOCocYr3GvCtOGPh
38Mm2RQInRIikblhu86YZD5Oc7Tnsd3YYr3WgqW4tFFFBlmKy/Eeiw+lvDe
oaRMFCXcDRhmGQjY+VsexwfwVpKATOR+GesPrPw+0mWbP2m3i+yTgvvbdH8
mWPqwAb/AIFXXA1xXw6zCPFFiwCtb6/dERhllVX2yLgLOHzd8nOenQdrQN7i
0UUUCiiigAooooAKKKKACiiigAooooAKKKKACiiigAooooAKKKKAEoortgS
0h/AI9ceJtDS4l02Z2l1fTPNZw5dstcx7j8sg43A4UoP4dooBK53tcvezref
EbTNPkWRfSbKTUlnWQBZXYmEgqVydqsTw2PmGR92tnR9ZsNf0yLUdMuVntpR
8rLwQfQjqDWHqdtFeePtOu7kLDBaFZSXn2gugAaYNHhsnlXajseAMgc8EUla
Orri/HPjqHQLKbT9Kdb3xFMPKtrOFgzxuwG1nXnHBBckZbsMBiKet+J9f17U
ZNE8DwqjROyXer3MZENU64JQBhyxBU5w3BGBg711/C/gTSfDTNdhftuquy8s
uoXCgyM7kliv90HJ6cnuTQNJLVkfg3wWvh43Gq6lcNqHiO/AN9fyHdzgZjj4
G2MEDAwM4HYKB1tGKKCW7i0UUUAJ2rj9FujJ8T/FNs03meXa2e1lgdsQw5w5
zjec5HA+UD3rsK4TwhKlz8S/H1zHKroJbKADI3ApCQflzkDJODjBwcE84BrZ
neUUUUCOW1nwpdXGrTazoWqjS9UmiSKSVrcTI6qwPKkjkGAE9cBcEY5wPGfh
Sx03wZcmCMXmrXOpW8sVxeOS7XEK8ajDD5kXBC4QghRwc5NejVyniCzXxfP
6aRqNq39ka5BNdgnl/ctl48jo4yD9Rg4yaLjTZ0Ooabbara/ZbxPNti6u8R+
7JtOQreq5AJHfGDkEg3KKKBBRiiigAooooAKKKKAOR8LvG/jDxkspU36XsCt
tZjID7OhiHPA5MpwO5al8a3VtNHp2hCLz9Sv7uJ7WIFgUEciO0uQRt2KC3uR
jnOK0PEHhax8RG0mlluLO+tJN9tfWbKk8XBBUMQflIJBuGg07RfC2laBdXl3
ZRzNdXj77iee4eVnP/AicdhxjO0ZzgUDujboooooEVLvTLC/eF7yxtrl4CWha
aJXMZlWSpI4/CqemeGND0eRZdP0m0gmUMBOsYMuD1G8/Meg79gOwrXoxQAYo
oooAgupJobOeW3g+0TJGzRw7wvmMBkLuPAyeMmsPwVoVxoPh5Y79o5NVvJpL
3UJl1wGnkO5scnhRhQR1Cg4FdFRQAfFFABRRRQAUUUUAGKMUUUAFFFFABRR
RQAUUUUUAFFFFABRRRQAUUUUUAFFFFABRRRQAUUUUUAFFFFABRRRQAUUUUUAFFFF
ABRRRQAUUUUUAFFFFAFVLVNTtdG0m61K9k8u1tYzLI3XgDt6n2rIPA2mXOoT3H
jTWYQmp6muLWPzS4trPOY0HYEj5jjGcjlB3Zq6wq+OvGg8PZZ9B0jZcaiV27
JrjdmOBS53LwSwAwNuCckY9BoHsgFFLWdrmoDSfD2paltDi0tZZ9p6HahbH6
UCOM+D5e68OaxqrHdHqmtXV5G+wruUIVzg+6noT9c5r0PtXGfCayew+FugQu
CC1uZunaR2cfowrtKBvcKKKBBRRRQAUUUUUAFFFFABRRRQAUUUUUAFFFFABRR
RQAUUUUUAFFFFABRRRQAUUUUUAFFFFABRRRQAUUUUUAFFFFABRRRQAUUUUUAFFFF
ABRRRQAUUUUUAFFFFABRRRQAUUUUUAZI5ottf6xpmpzbn04ytAAcDc67CT6/K
WGPf2FVfFmjXmv6E2nWV8bTzZE85lyrSRA5ZFyfcJ9cMOoIINbgxRQCZDa2s
FlaQWltEsVvBGsUUajhFUYAHsABVa/1iz0+e2tpXL3dy22C2j+aSTkZYL/dG
cljwO5qtrkmu7YlXQoLUSzN+8vLpsx2ygrk+WCGkYgnaMgZHLdGfNC8O2nh9
LuZJJrq+vH868vpzumuGAwM4HCqOFRQFUdBycgEUPh0XWqjVtakW8uEI+zWx
UG3tMMSrlpH+swQDJ1OOAo4rerIY/iP4SmguJYtYRxbuEdVhkLlj2RNu5/fa
Djvisqf4radPcXVnoemX+qXcMfmKkabQwG3O5BumTBbGTF19uaCuVs7+o554
ra3kuJ5UihUvJI7BVVQMkknGAdvXn9xrHxD8QQNbaXoKaEWORE3cyNtXCsa
AVJDEdR5bDkjlzU3/ClRHUL6O/8R6xqWsXSktiSQRRqSOdgX54xnnargUBy

23Nq18eeGtQ1k6RYakb68AVmFnBLOiq2MEyIpQDkck4FdJVWw06x0u2+zadZ
29pBuLeVbxLGuT1OAAM1kXk2sal4gm06wuEsrC2gBuLjyGaSSV87UQkbMKo3
Egk5K8AdQR0NFcj4L86wvNd0CbVL3UV026jEM19IJJtjwxvhm6sAzNgkd8du
OuoE1YWkoqgms6dJrUmjx3kb6hHF50kCHLRpkAFscLncMA8kcjgUAaFFFJQA
VDdXdtZQNCxdzFbwqQDJK4RQSQByeOSQB7msLXvHnhnwz5H9q6rHD56syeXG
8uQuMk7AcfHXr2rIPEHXr0uY6QNH1GFLJ7tJb+5ubZ02W6EOQiyKNzNjGVy
R2GcEA1Fs9Opa5T/AIWJ4elJR0W8vXkjEsUVrZSyPIpOMqu3JGOfoMjNdVQ
IKWkACgAAADoBS0AFFFFABgUYFFFABRRRQAUUUUAFFFFABRRRQAUUUUAFFFF
ABRRRQAUUUUAFFFFABRRRQAUUUUAFFFFABRRRQAUUUUAFFFFABRRRQAUUUU
FFFFABRRRQAUUUUAFFFFABRRRQAUUUUAFFFFACVS1Y7dJuiO0Z6VdqjrGDo9
16eWamfwsa3PPPAI3+K7c4H7rSpo/TCmaNI/9m/SvUq8p+H5I8ZRgE4OISkj
PH+tjx/M16tTQmFFFFMAooooAKKKKACiiigAooooAKKKKACiiigAooooA8U8
2WbRvD0LhpJbTx20YMSmlqPNIZiVOSFy5444x0Ne1V4sYzN4j0ZFEqmLxlel
5GPmHPUAkHCAr/CVBwOO7N7TQOQtFFFahKKKrahfQaZpl1qFyxW3tYXnlYDJ
CqCx/QUAcj4AiEOseNRGEaA67IRIMbi5jjLqcdgTx9Tmu3rifiZZXMPg1dTv
XZr3Wp31KbLA4MgAGMdiqqcdskcV21DG9xaKKKBRRRQAUUUUAFFFFABRRRQ
AUUUUAFFFFABSUVj3nizw7p8rRXeudDMgy0TXKbwM4ztzn7UAlc2KK5Gb4
m+EYkkddVMYrNBkht5HjzjHmBdnfH3uuR2OIP8AhOdSvpoBovhPUruGWAYm
W5P2dQcnC5KITwM9e44J6A+Vna0tcQus+PpjK6+GbKKNgpiV7oMyjGWz8w3E
90i7SP4s8Szat44dmjg8O2kRYkrK9wrqgP3Qw3KSfUg/QHu7BY7GjiuPMvxC
85j5WgiDO0BY5GdePvcyAMPQZU5wDgfNSpe+PJZEVdM0qJdgYtO5G71B2u2x
uOg3jn73FKwWGP4NI0XxG2t+E3tLL7SANRsjI8Q3W0HYykf6thkjlBBzkjIO
7R0LR9RK3V74lltrjULtPjkt7ZnNrFCOAiq33s8sWYZ+YjoBWMbD4kNZQwnV
tJWVDkzxnDvns2YSpX/shelTf8I940SEMPG8ksojP7s2Fuilz0+byzwOf4ec
CgbOyjjhiSKGNY40UKiIMBQOgAHQU6uL/4RfxVeRsuoMX2lgyLbW3INGQC
PvoybsgkFczWQBgvKvhfxNawxRWfji6VEXBFzZRT5PruPzdfViccZHWgVjr
6K42DRPGdnJLbB+JLaW1dDiW6gMkiuxyxUcY5JxuZ1AAAXHSa2svHUdV+81v
RnIAlCy2LuGPb5ldMZ/3Tj3p2C3mdZRXHTXvj6C3VV0vSrm4yVMkUhVOMndt
Z8gHgYyTkHschV1vxtbWpWbwl3txHhWe31BIVIj/iRWzhR33NnpgHsWCx2H
aoLeztbQzG2toYTPIZZTGgXzHIALNjqcAcnngVy//CTeJ1A3eDJ2ZIYoFu05
YH7ucYA/2mK57A0yXxB4zeGVYvBTQyhcyG/hlUni4K7kPTPOeD60rBY7Kiu
NtL/AMfSQQtNpOmKwuB5hdvLdotvICLI6qd3AfzG4H3Kz9U1Px6pg01odHin
1IyJDLEJcQICM7m3Z37WyNoOcm2AFNFhqNzqPE1lqWp6Yum6dO1qLqRY7q6j
cK8MHV9mQfnYDaDijduzwM6Gnafa6Tp1tp9jCsNpbRrFFGpJ2qBgDJ5P1Pjr
krPSvG1pbx2kV7ZRQpGl1d7vzmTbnBwbcFmbjLMx+hPJsLofjGOEOPF3mz4P
7p7KFY+VwPmCZJUndnABxjAB4dhWOvorkU0Hxkif8jvFI424L6RHg4znIDDr
nsR0Hvlz+HfE0rhpF28KqiMCx2YP8THZlu7PoeB2FILHW0lcdJ4O1aS1njP
im88ydzl7BplCuRj5NswKKM5ChsdPTNPXwIMqG8S+lJGcPwupSAnHYnPTk+5
4545egWXc66jNcg3gNmdWHi3xQoSnkVvVxjn+l5X5j6E5xSHwPMWIK+JtbC7
VEA+2zHa2MFno/5snnA2gelAWXc7CiuVHgiJSJBr/iAy5JJBu5drZGMFQQPp
6cVD/wAILLJbJbTeK/ELRI7MrJfOkGB6DeDlu33tw44C5OTQLLudfS1x0ngE
SzEf8JHr6WwUBUTUpyxOADuLuwYHk42jrTrf4fWdsqCHW9cQowKsl2FIA/hy
FHy8nigLLudfRXJr4FiU7j4i8SM2CMtqkvGc8gAgZ57g9KiT4ewB1MniLxHJ
sVgjnVJQ4LYySwbnoOAAOOhpBZdzsaRWDDKkEeoNcbP8N9Mu4/KudV1m5g2h
TDd3f2iNiBgMUKDLu75xx2xU3/CsvBhkMr+H7OSVjuaSRd7OT1JJ6k0BZG1f
+JND0qRI9R1rTrN3BKrcXSRlgDgkBiM81nD4geETOsI8R6buYHB88bTg9N3T
J7DOT2zS2vgPwxZRultPEUSuQTtd+COhHPBHqK1LXRdLs7ZLe3sLdlIJEYHI
g5UHOCEp555780BoZ1p458L395bWltrlJcXORFF5mGJzjbg9G/2TyfSugqi

ujaWk0c6adaLLG25HWFQynGMg49Dir1AnboLRRRQBk674j0vw3ZNdandLCoU
IVz8zY9B9cDJwMkDPIqHR9dvdWPmP4d1OwtWRGjkvDEjsTndmMOWXAC9eTnp
xzNaeH7O21u61hnnubyf5Ua4feLdO6RcflpPJ9TjPAAGrQAtFFFABRRRQAUU
UUAFFFFABRRRQAUUUUAFFFFABRRRQAUUUUAFFFFABRRRQAUUUUAFFFFABRRR
QAUUUUAFFFFABRRRQAnaub8X+JJtCs7e2063N3rWoyeRYW2CQW43SNjoiA7m
PHpkZyN27vLewsp7y7mWG3gjaSWRuiKBkk/hXEeHdJ/4TP7X4n8QW0ht9Rgk
ttOsZiV+zWTjaxlB4eUDJlyQCADjihDXc6Hwjo1rovh2CK2vFvzcE3c1+qqP
tckh3NL8vBBzxyeABk4zW7XIX/w38PXmIWWnwXz2MdmEEL2jhWGwHaTkEE/M
x3EZySc5NZz/AA3v/KiWPxrrqsp+Ym7m27ewULIMd+pP0FA7J7s78kAZJwB1
JrhvHXinRJ/Buu2FlrNpcag9tJCttZ3KPNvPy42hs8E8+gzVdfhHo9zK9zrF
/fandyffmm8sHPQYbbv4HAyxx2rH+JegaT4Z8DrFpNsYZry/gt/NYPdTAMTk
JvLHOAcD8ucUhx5bo0tE8f8Ah3wx4Z0bStRuJo5LXTYllk8hghdYwGVcgFjw
TwCPUiu00HxFpPifTRqGjX0d3alihdARtYYJUggEHBHBHcVLpujaVoyyLpem
2dispBkFrAsW8joTtAzV+mS7dBaKKKBRRRQAUUUUAFFFFABRRRQAUVFMW8i
QpvLbTgR43Zx23cZ+vFMspbiewtpbu3+zXLxK0sAcP5bkDcu4cHB4z3oAsUU
UUAFFFFABRRRQAUIFZOr+JtG0K5tLfVNQjtpbwsIFcH5tuMkkDAAYOTgUAa1
LXPQeN/DVwSE1eBdrFT5gZMMBnB3Ac47VPc+LfD1p5gl1myLRHEiRyh2T6qu
SPxFA7M2aK5G6+JvhKzH77U3DIC6oLWXcwAzx8v+cis2T4weHjdmCzt72/GF
ZHtTCd6n+IKZA+M8cqOaA5Wz0Clrz5vi/oCkZtb4KSFDFOAC2cFRmXOR3/Lr
gVcPxY8FLDFI2skLIMri1mOfXoh6cj8DRYLM7SiuEk+LfhgyeXaSy3rFkC/Z
2iw24Ag/M4xjPIODnjFD/FG1jUPJ4a8RRozbFaS2jQM2cbVLSdCC8cZ5oGot
ndiiuFX4raJBcGHVrHVdIIUN/psC7uenyRs7j6IQPepJPix4QWdUj1FpYzJ5
RmRCED/3fmwWPOflBoFys7ekrhofipo907fZLDU7qJC4knt445I49v8Aelfj
PY9OabH8W/C8gVGlmuJsdhtW2GRZM4CYVyN30JAzyRTsHKzu6WuJHxX8lyJN
9nv5rmWH78UNtlx3bQC2NoyeOSBzTR8VPD7Ws90kV/JbRPsNxHCHhJ3bR+8
DFBnIPJHUd+KVgszuKSuCHxb0CSV0ggup9pA3RzW23GcZJMoCjJ/ixSJ8XvD
Lwwylp1WVsfeiO0cZPDnOMjOMnkciiwcrO+ori4Pin4XmSaSse8ghjkEYle
0kZWYBg/IG2jnHzbTUn/AAthwiF3/wBoXozGQ39nXO0j1B8vB9vWgLM7Giub
h8feFJnCjXrNAUDh5X8tMEZxubAz6jORzkDFWR4x8MF9i+I9ILABtovos4ly
D970oCzNqlqnZ6rp+ohTZX9rch08xfJmV8pkjcMHpkEZ9RVugQUtJRQAtFFF
ACVzya7rF3rVzbWOhRtYWriOW6nv1RnbJ3CONFOfwfnZMk4461q6reT2GmT
3VrYTX80a5S2hZVeTkdCxA9/w4yeK5z4eaLf6VpWp3epwm2vdX1S41B7ZiGN
uHlCoWBlb5VBzx97GBigfQ6+qupX8Wl6Vd6hNkxW0LzMAQMhQTjnjtVukIBG
CBjpigR5FoHje+tvCLyWX+m3P72+1LWrwSiwtSWZmjX+J2UbUEaADoR3ruvA
1zrl74VtrzxBxeXDPKitEI3WJmJDKCQG2kcdQMA8g1pX2haXqWhPolzZRHT
HjEX2ZBsQIMYA2424wMYxjFXLa3jtLaK3iMhSJAimSRpGwOOWYkk+5JNA210
KF/4a0LVlv7XqGi6dd3G0L5txbl7YHQZi7fpV6zsrTTrSO0sbWG1to87IYlw
iLk5OAOBySanooC7CjFFFAipqF4unaZdXrRvKltC8xjxjYKpOBkgZOO5rIP
hjElN8O7PUrm5LS34fUbyeWUEF5CWZupVRjsMYxkgHNdr2rz2T4XMNPbQ7Px
LqFp4Zd3ZtNiRdyq3O1JTKhdxOQwYEHXLEGrGn4SjOoeldf8TQzGTTtTFql
iShXdFHGSWGecFpG6gHg8dCevqK3ghtbeK3t4kigiQJHG4VFAwAAOgAqWgT
dwry7wr4x0bQbHxMmp2zWWoWWp3DzRNEBPOHYtEWb7pds7R82Dgc4OT6jUAs
rRbw3gtYRckFTMlxvduRu687E/75HoKBpnMpP4n8RXulC2gaTE+ftGwPdXQ
K5ACSpilAnncrHK4HHJ3J9EsrnSU0ucXE1mOGSS6IYyL/ddi251PQhiQRwQR
WjWfqlleahF5FvqclhEwlke3jUy/8BZsheM/wk9MEYoeZmt69pWgXVvawW0V
1rs8PI2OnwbFmlUZIGT9yMbSSTwNp6kYqp4M8K3GIta5rniT+JNSJa5IUll
hTOVhJyThFGOnUgdcCt3SdE07Q4pY9Pt/L85zJNl8jSSSt/ed3Jzj7kmtGgd
xAiqWKqAWOWIHU4xz+AFOoooEMkkSKN5JHClolMzHAAHUk1zOneOdO13X/7K

0OK41BlmYXl6kbJb24A4G9hh2Y7doXlIJbOBzf8AEXhnT/FNrb2eqec9nFOJ
3t0fakxAICvjKqCc4yOQM5rRsrG002zjtLC1gtbaPOyGCMli50ThRwOST+NA
aFmiiiG AooooAKKKKACiiigAooooAKKKKACiiigAooooAaxOOMdR1PvTqKKA
CiiigAooooAKKKKACiiigAooooAKKKKACiiigAooooAKKKKACiiigAooooAK
KKKACiiigAooooAKKKKACiiigAooooAKztb40S8/65GtGs/W/wDkCXn/AFyN
TL4WOO5518Pwp8Ylcl0lwB6jzU6e1eqA5FeT+AkEvi8KxOG0eRWKuQeZU6E
HP4jpXqkKPGHv5XIOTh3ABx17ADjp07fjTQMlloopiCiiigAooooAKKKKACi
iigAooooAKKKKACiiigDyO5s4bX4nWlmFhigGuNeZSMsWeS3Lc4UAEtjucDB
Jz19bry/WYVi+OWjCCCEvPCszSFiWUqkytgDgflFHZdc8YIzXqFBUugtFFFB
llcJ8VLmWbw7a+HLR9t5r13HZlwY/lmQzsQMkrtG04GBu5lru815x4dWTxt4
+vPFE0sR0rRjZNP0uKM7hl+B5k2ehzkAFf8A2XLA49z0O3gjtbaK3hUJFEgR
F9FAwBUtFFAgooooAKKKKACiiigApM0V/SuNX0+2umtJLuL7YsJuPsqNvmaMZ
yyxjLMOCO AeeKALtFcNP44vtZJi8G6VLqC/ZzN9vniZIQeCEUMU3Mc4Kikly
DyM4WLw/4y1pg+veJRYWrsPMsdlj8osoAl/fZLxtu6gMwlgAeeAdjrr3UrLT
kDXI1FAGBK3ALYxnaOpPI4HqK5Wb4n6IY86baaxqsgxuitNPKDqCOCRIEyD
kYxkn14p9p8NPD8TPJe/bNUmeUSNLezlnkAxhJCu3zVGMYk3ccdOK62CCG1t
4re3ijhgiUJHHGoVUUDAAA4AA7UBocE2qfEDX7i5XS9PttGsWB8ie9jllwCM
H5iSrkHODEyjBG4mrknLxXdExXny5e1Lo2ILFIJgAeR5iMOv8Au49ux7Wi
gL9jhpPhVoN9dyT6xc6jrAddoS/mVtnphlVXHH+1WxZ+BvDFhEY4tGtpVJB/
0nNwcy4MhY9CRXQ0UBzMHzbwwnMcMaHaF+VQOB0H0qSiigQYFFFFABiiiiG
AxRRRQAUUUAFFFFABijFFFABRRRQAmKoNpcMuuRapJhpYIGggGPuByC5+p2
oPw96v8AaigBaMUUUAFFFFABRiiigAooooAKKKKADFFFFABRRRQAUUUAFFFF
FAGfrFtXelzxaZqDWN75b+TMERIDISF3BIOVDEHjB49Mg8iur/ELRg9IP4Z
i8RmPGzUbe7hsxKu0fejZjhs5yQAPQcc96KKAuUNJm1W4s1m1a1t7OdwD9mg
mM3l+xfCgn6DA9T1rQpKDQAtFFFABRRRQAUUUAFFFFABRRRQAUUUAFFFFA
BRRRQAUUUAFFFFABRRRQAUUUAFFFFABRRRQAUUUAFFFFABRRRQAIFFc14
w8UjQLNLSwWO51++zHptkT/rZOmT2CrncSSBgEzZQG5ielLmXxt4ITwlp0jD
RrVi+uXMasFbjForijccgsAQQMjPVT3ylkaKkahUUAkqjAAHYVkeFNBXwz4
ZstKEzTyQpmediSZZWJaRyTzyxY8+tbNA2xcUUUUCerz74hg3ninWHe1tr6
v9sLBcgGBNwH47v0PpXoNefeMIGvvin4Dtl8wLC15cyMi9AqLjn0JwD/AL1A
47noVFFFAgooooAKKKKACiiigAooooAKKKKACkparhLkXzyG4jNoYIVYfK+Z
XBJLb88ggqMY4xnPOKALFFFFABRRRQAUUUAFRyRRzJsljV1yDhkhZByD+BG
akooAzr3QtH1GOGO+0qxukgG2JZ7dHEY44UEcdB09BVNPBfhWMYTw1oyjBHy
2MQ4PX+HvW7RQO7KNnoulaczNZaZZ2xYImMMCpknGScDvgflV6iigVwpNq5z
gUtFABRRRQBFLbQTtE00Mchifzly6g7GwRuGehwSM+5qXAoooAKTAznHNLRQ
AUUUUAJRVDW7xbDQ767Z7IRFA5BtUVpc442BgVLZxgNxnGeKlOz7YNKs/wC0
dn27yE+0eX93zNo3Y9s5oAsNDG7o7xozpnaxGSufT0qqdH0xrg3B060M5cSe
YYV3bhkhs4zkZPPv2igLmXP4c0S5kllm0mxaWVdry+Qocj/AHgM8fXis+bw
J4cn3ZsHTLI/3N1LFgkYONrDA9hxXR0cYoHdnJ3fw08H3u0zaHBlcAFWYeno
fQYz1rPT4WadbtJ9i1zWrGJ2ZhDaSwxoueuAl/Q4yck9ya7yigFJnCD4S+Hf
sL2hkvTHKytNmRMTbcEbl27e3ZQfenyfyDyWG3hg03xPrNtDGxxE1w5RUxgKo
RkKgDGADtGOnUnuO1FFx8zODbwP4hMZVfG13udArlo5eo/iXEw2nr+nfkyJ4
V8W2rSpa+MpjC4XaZlQzKdwyT5gcnC5IAKgnAPUmu54pKL5mcH/AGH8Qvsm
f+Erh89ZSRH5MQ8xO2ZPlww0EZP+0amRviX5jRBfDRCKv72RZgr5znG1skjA
zIVHPFdtRTHzeRwNzf8AxNtFQ/2Xo14zlxK2YOEb+EEyzJ1PoD061YOo/EJG
bOi6ZlpjAXy5MbX4yxzJyOo28dvmrtqO1Fxc3kcLJrnj+Qp5PhOKA9GWWWeJx
/vbhMDg8jG3j1NT+f8RUxO9n4eeJXUm2iaXzXTuoYkKG7ZOR/Xs6Wlcl+RxC
+KvFkU8Vtc+DszO5/wBXdsR5YzlywjMa9OFL7j6U2Hx1rGA134L1aMbSGECT

Kwf0GUUEcj5s46+ldx9KKAuuxxqfEB9kxI8JeJVajldtshggnqCWBIAS5JxVd
PippTrK50rV1iiBLYGOLCgHGsbJkZPA468V3VFA7rscO/wAT9Nii8+fR9bgt
jnbcSWYiNsYHDb8Hk4wOeDUy/EnSBevBNZ6lbwoQDczQBUDEZCld28E8YyoZ
ketdIRQK67HFj4peGjDujmnefZ5htggEirjOeSFx16HsfSoX+Kuixw+a1lqA
QhWjOIsSqf4kPmYYduDmu6ophddjkV+J3hFwxTU5XCkAlbG4br9E6e/ari+O
/DLyOn9qxqVTEfMjdB0zgeGAt/sjn2rcns7W62/aLaGbacr5iBsHBHGfYkfi
az28LeHnaNm0HTGMYCoTaRkqB0A44FIFYqW/jjw1cTtAuqRxuM8zxvEpx6M4
AP4GnHxv4a3zKNZtX8IN7FGLKR/skDDHnouTUq+EPDSRmNPD2IKhOWVbOMBj
7gDn8akXwt4eVYwug6WFjOYwLSP5T7ccdB+VPQfukUfjHwzLbidfEOleVkkW
N3GME9Acng+x5q/c6tp1lpraldX9tDYqAxuZJVWPBOB8xOOSQBWdP4N8O3Mw
mbSbZJACuYQYs5GOdpGTjoeo7Vmf8Kx8KG4Mz6cX3Y3oZWCSAHIDAEZUf3T8
p7gnmloLQ7GiiigQUUUUAFFFFABRRRQAUUUUUAFFFFABRRRQAUUUUUAFFFFABR
RRQAUUUUUAFFFFABRRRQAUUUUUAFFFFABRRRQAUUUUUAFFFFABRRRQAUUUUUAFFF
FABRRRQAUUUUUAFFFFABRRRQAUUUUUAFFFFABRRRQAVna5/wAgO86/6s9K0azt
cx/Yd5/1yNTL4WOO5538PVB8YK393SWH5yp/hXqleUfD0n/hMowOFokSEjPX
97Hj+v516vTQMwiiimIKKKKACiiigAooooAKKKKACikpaACiiigCOOVJdwr1
JRtrAHJU9cH35FPrltZ1leGPEEGp3W8aPf7be7uP4LSQZ8t34JCNnZnhVOcf
vZHTq6ylrowZWGQynII9aAPNNYbd8fvDsJE7LGaVQeRHIHXcOTgHGcMLzjr
XporzobZv2hf3kLfufDpETMpl3eePmH4Oy5+or0WgqT2DtRRXGeKfHiaXdp0
2hW39r6/PkR2sJDLEQcZkIPyj1z0xzjJJK5V+levag0lp4P8Os417Vwf3o+
UW1vyHkLdjwQMc8HGDtz1Ph3Q7TtW34fstHsgfltYwm49XbqzH3JJJ+tY/gzw
d/wjxvNT1C4F9r+pP515d5JA7iNOmEX6DOAcAAAdZ2oBvohaKKKBRRRQAUU
UUUAFFFFABVA6LpR1T+1Dpln/AGhjb9r8hfNxnjGN+M9OOvSr9FABRRRQAUUUU
AFFFFABRRRQAUUUUUAFFFFABRRRQAUUUUUAFFFFABRRRQAUUUUUAFFFFABRRRQA
UUUUUAFFFFABRRRQAUUUUUAFFFFABRRRQAUUUUUAFFFFABRRRQAUUUUUAFFFFABR
RRQAUUUUUAFFFFABRRRQAUUUUUAFFFFABRRRQAUUUUUAFFFFABRRRQAUUUUUAFFF
FABRRRQAUUUUUAFFFFABRRRQAUUUUUAFFFFABRRRQAUUUUUAFFFFABRRRQA
UUUUUAFFFFABRRRQAUUUUUAFFFFABRRRQAUUUUUAFFFFABRRRQAUUUUUAFFFFABR
aXWuXd5481aHy7jVFCadA+S1taA/KMnA+c/NwOhzn5iK6TxR4Zg8V6bHp91e
XNvbLMsrpAlyJdpyqsHVgV3AHBGDjkVt0DvoOxRRRQIKKKKAERgoCb347XMk
Z3w2Hh9YZOOI5ZJt4H1KCcu8ZgoySAMgZJ9elcP4JgmufGPjjW5VaIT6hHYpC
yn7tveAHBOMht+emBjqetA0d1RRRQIKKKKACiiigAooooAKKKKACiiigAooo
oASjvWXp1rqFrqepCWW3bTZZFls1Td5iMw/ehs8Y3fMMf3iOwrU7UALRRRQA
UUUUUAFFFFABRRRQAUUUUUAFFFFABRRRQAUUUUUAFFFFACUZorG8U6GPEvh6fSG
kCQ3LxCY5lJiEis4BHQIQPrzQBQ1yzvtc8S6RaW80tvpum3C3t98ssZnYA+
SiPjY6hh1z2WuooooAWiiigAooooAKKKKACiiigAooooAKKKKACiiigAooo
oAKKKKACiiigAooooAKKKKACiiigAooooAMUUUUUAFFFFABRRRQAUUUUUAFFFF
ABRRRQAUUUUUAFFFFABRRRQAUUUUUAFFFFABRRRQAUUUUUAFFFFABRRRQAUUUUUA
FFFFABRRRQAUUUUUAFFFFABRRRQAUUUUUAFFFFABRRRQAUUUUUAFFFFABRRRQA
UUUUUAFFFFABWbrx/4kF7j/nka0qzNf/5F+9/65Gpn8LHHc87+HpH/AAmIB6nS
WII6Y81M/wBK9Xryv4dgHxW7cZGlge/+sH+FeqU0DAUUGpaYgoooooAKKKKAC
iiigAprMFUsTgAZJNOphRWKklvIORhiPzx1oANi+Zv5zjGNxwPw6U+iigAoo
ooAimhiuYJlJ41khkUo8bgFWU8EEdxXBy+E/EXhYvN4M1IS2e7I0e/dpI1XB
yl2Zsg5PABQc8k4r0AUUDTseUS61dWXxBTxRrXh/WbAQ6P8AYpYI7cTRoxl3
7vPRtjLjAwehPQVuJ8TYb1JRo/hzWtRdNy+ZDEjQq4/hZ1ZsdugJ9jXd0dqB
3XY8/H/Cf+Klgjra+HLGVslwxe4EZTjb3JyQcnyiuOVbkHpvDvhbSvDFtLFp
0TebOVae4lbdJMQMAk9AOuFUBRk4AzW12o6UCuLiiigQUUUUAFFFFABRRRQ
AUUUUAFFFFABRRRQAUUUUUAFFFFABRRRQAUUUUUAFFFFABRRRQAUUUUUAFFFFAB
RRRQAUUUUUAFFFFABRRRQAUUUUUAFFFFABRRRQAUUUUUAFFFFABRRRQAUUUUUAFF

FFABRRRQAUUUUAFFFFABRRRQAUUUUAFFFFABRRRQAUUUUAFFFFABRRRQAUUU
UAFFFFABRRRQAUUUUAFFFFABRRRQAUUUUAFFFFABRRRQAUUUUAAGKKKKACiii
gAooooAjlijnhkhlUNHlpVIPcEYlqnpGj2Gg6bHp+mweTblzMFLs5LMSzEsx
JJJJOSa0KMUAFFFFABRRRQAUUUUAFFFFABRRRQAUUUUAFFFFACyRoA/kTxHF
p5Efly2jzlCuGyrqp/h2kfOv8QI9CDkaNZWr6MdRubG8t7k217ZOxilwzLtd
drAoGAbjGM5wQDQBq5orGvdP1I8T2WumOcciGW2R7dvYgASD6h+PfpUGm+l3
bUY9G1u2TTtXIVnhjEu+K6VerQvgbiByUIDKDNgMEgHQ0UUUAFFFFABRRRQA
UUUUUAFFFFACUVy/iHXL46zaeGdD+TVLuMzzXUiZS0tgcPIMjDyZKhV55YFvl
69FbQtb2sULTyysiBwllxvc4+8cADJ68AD0AoAnooooAKSsbWfFGk6EfKu7o
NeMu6Kyh+eeXOdoWMc8kbQTgZwM1b0i9uNR0e0vLuwI0+4miDyWsrBmiYjIS
R1/Q+oB4ABfoxRRQAUUUUAFFFFABRRRQAUUUUAFFFFABRRRQAUUUUAFFFFAB
RRRQAUUUUAFFFFABRRRQAUUUUAFFFFABRRRQAUUUUAFFFFABRRRQAUUUUAFF
FFABRRRQAUUUUAFFFFABRRRQAUUUUAFFFFABRRRQAUUUUAFFFFABRRRQAUUU
UAFFFFABRRRQAUUUUAFFFFABRRRQAUUUUAFFFFABRRRQAUUUUAFFFFABRRRQ
AUUUUAFFFFACVm6//wAgC9Gf+WRrTrN1/H9gXv8A1yNTP4WOO5578PMHxcxP
UaXx9PNX/wCtXqleW/DpSfFMzdl00D7vrJ69unT/AAr1HtTQMWiikBJ9Pzpi
FooooAKKKKACiiigAooooAKKKKACiiigAooooAKKKKACiiigAooooAKKKKAC
iiigAooooAKKKKACiiigAooooAKKKKACiiigAooooAKKKKACiiigAooooAKK
KKACiiigAooooAKKKKACiiigAooooAKKKKACiiigAooooAKKKKACiiigAooo
oAKKKKACiiigAooooAKKKKACiiigAooooAKKKKACiiigAooooAKKKKACiiig
AooooAKKKKACiiigAooooAKKKKACiiigAooooAKKKKACiiigAooooAKKKKAC
iiigAooooAKKKKACiiigAooooAKKKKACiiigAooooAKKKKACiiigAooooAKK
KKAerM13QrLxBp32O9VxtcSwTxNtlf5V+7JG38LA9/wOQSDp9qB0oAwPDqeK
rcyWviCTTbuJC3k31tlySyrkBFmi2BQSMklWwOAB3rcSVZC4UnKNtYY74z/l
in1yOv6vdeFvECarcQ3dxoF1b+XdtBE8v2GSPcwlKqSdjKSGIXjy1yeaB7nX
0VT0zU7TWNnt9QsJfNtbhN8Um0rkfQgEfiKtFgoySAM4yaBC0Ug6Vnavrdno
0cPnlNuLh/KtrWLHm3D/AN1ASB9SSABYsBzQBpUtVvW6keQySpHEdvlrGvzr
g87mOQc8DAHHPJzxBqC6vvtG0yWyKLlBcpdRtukjyMIGU4VgMnlSCcDjrQBo
Vynivxpb6KG03TRHqPiOVSLXTY23OTjO5wOVUA7ucZAOPudXXO+E/CFj4VtJ
fLYXWo3Mjy3eoSL+9uGY5yxycDpwOM845NA1bqUPDej2ngrTZ9S8RatZtq+o
yh77UJ3WJWkIAEaM2DtGOAe+SAAQo6BNd0yWO3ktrpbtJ5BGjWatcDJ7sYwd
q+rHCjualk0nTZrprMXT7R7hhtaVoVLkdME4zjgVcoBu4ViXaa1q0aR2sraN
ASyzPJGktwQCADEQzImRk5YMeR8oNbdHSgRm6ToGlaIJG0+xhhlmwZ5woMs5
5O6Rz8ztkk5Yk5J9a08UUUAFFFFABRRRQAUUUUAFFFFABRRRQAUUUUAFFFFA
BRRRQAUUUUAFFFFABRRRQAUUUUAFFFFABRRRQAUUUUAFFFFABRRRQAUUUUAFF
FFFABRRRQAUUUUAFFFFABRRRQAUUUUAFFFFABRRRQAUUUUAFFFFABRRRQAUU
UAFFFFABRRRQAUUUUAFFFFABRRRQAUUUUAFFFFABRRRQAUUUUAFFFFABRRR
QAUUUUAFFFFABRRRQAUUUUAFFZniD/kX77/rka0qzPEXHh6+/65Gpl8LGtzgv
hyqHxRcuw/eLpqBD/slzn9Qteo15n8NxnXdRPYwVv3Pdn/Dt9a9MpoTCmZ/e
deo4H+fqKfSdqYC0UUUAFFFFABRRRQAUUUUAFFFFABRRRQAUUUUAFFFFABRR
RQAUUUUAFFFFABRRRQAUUUUAFFFFABRRRQAUUUUAFFFFABRRRQAUUUUAFFFF
ABRRRQAUUUUAFFFFABRRRQAUUUUAFFFFABRRRQAUUUUAFFFFABRRRQAUUUUA
FFFFABRRRQAUUUUAFFFFABRRRQAUUUUAFFFFABRRRQAUUUUAFFFFABRRRQAU
UUUAFFFFABRRRQAUUUUAFFFFABRRRQAUUUUAFFFFABRRRQAUUUUAFFFFABRR
RQAUUUUAFFFFABRRRQAUUUUAFFFFABRRRQAUUUUAFFFFABRRRQAUUUUAFFFF
ABRRRQAUUUUAFFFFABRRRQAUUUUAFIQCpBAIPGKWigDB1HwvBfywyw6ppq+nt
EwYLZXrohAzhShyuOemPSI0PwnpGgyvc20Lz6jKoE+o3bma5m+VV+aRucflv
yjCjHAFblLQF2GKKKKAE6Vz2reL9K0HXbXTdXvIbMXcTyQyyHai7Nud7kgLn

dgdvl65lB6Gq19p9lql01pqFpBd2z4LRTxh1ODkcHigEUPEfibS/C2lTahql
wESNC6xKQZJSCBtRc8nLKPQZGSBzUPhOPVX0gahrZ26hfkXD243BbUFVAiAY
nGAozjGWLHFUNK+GfhDRr2K7sNHEcsUgkQNcSugcchtjMVyDyDjg4lwcV1tA
9BaKKKBRRRQAUUUUAFFFFABRRRQAUUUUAFFFFABRRRQAUUUUAFFFFABRRRQ
AUUUUAFFFFABRRRQAUUUUAFFFFABRRRQAUUUUAFFFFABRRRQAUUn40tABRRR
QAUUUUAFFFFABRRRQAUUUUAFFFFABRRRQAUUUUAFFFFABRRRQAUUUUAFFFFA
BRRRQAUUUUAFFFFABRRRQAUUUUAFFFFABRRRQAUUUUAFFFFABRRRQAUUUUA
FFFFABRRRQAUUUUAFFFFABRRRQAUUUUAFFFFABRRRQAUUUUAFFFFABRRRQAU
W9VcnGyztlxzzkyH6du4z6d8+IV5v8Mv+Qxrg7fZrLp0H+ur0imhBRRRTAKK
TtQCDQAtFFFABRRRQAUUUUAFFFFABRRRQAUUUUn40ALRRRQAUUUUAFFFFABRR
RQAUUUUAFFFFABRRRQAUUUUAFFFFABRRRQAUUUUAFFFFABRRRQAUUUUAFFFF
ABRRRQAUUUUAFFFFABRRRQAUUUUAFFFFABRRRQAUUUUAFFFFABRRRQAUUUUA
FFFFABRRRQAUUUUAFFFFABRRRQAUUUUAFFFFABRRRQAUUUUAFFFFABRRRQAU
UUUAFFFFABRRRQAUUUUAFFFFABRRRQAUUUUAFFFFABRRRQAUUUUAFFFFABRR
RQAUUUUAFFFFABRRRQAUUUUAFFFFABRRRQAUUUUAFFFFABRRRQAUUUUAFFFF
ABRRRQAUUUUAFFFFABRRRQAUUUUAFFFFABRRgUUUAFFFFABRRRQAUUUUAFFFF
ABRRRQAUUUUAFFFFABRRRQAUUUUAFFFFABRRRQAUUUUAFFFFABRRRQAUUUUA
FFFFABRRRQAUUUUAFFFFABRRRQAUUUUAAGB6UUUUFFFFABRRRQAUUUUAFFFF
ABRRRQAUUUUAFFFFABRRRQAUUUUAFFFFABRRRQAUUUUAFFFFABRRRQAUUUUA
FFFFABRRRQAUUUUAFFFFABRRRQAUUUUAFFFFABRRRQAUUUUAFFFFABRRRQAV
keJsnw1f4H/LE1r1keJ/+Rav/wDrkamWzHHc434Z/wDla108Y+zWQH0/fV6T
3rzj4ajGt67jobayx/5Fr0Y00AtFFFMQUxCPmAx8p5x+f9adTRgMfegB9FFF
ABRRSsz0PagBaKKKACiigAooooAKjkTzlyvA7jl6EcgnUFAAKKaudoycn
HJ9adQAUUUUAFFFFABRRRQAUUUUAFFFFABRRRQAUUUUAFFFFABRRRQAUUUUA
FFFFABRRRQAUUUUAFFFFABRRRQAUUUUAFFFFABRRRQAUUUUAFFFFABRRRQAU
UUUAFFFFABRRRQAUUUUAFFFFABRRRQAUUUUAFFFFABRRRQAUUUUAFFFFABRR
RQAUUUUAFFFFABRRRQAUUUUAFFFFABRRRQAUUUUAFFFFABRRRQAUUUUAFFFF
ABRRRQAUUUUAFFFFABRRRQAUUUUAFFFFABRRRQAUUUUAFFFFABRRRQAUUUUA
FFFFABRRRQAUUUUAFFFFABRRRQAUUUUAFFFFABRRRQAUUUUAFFFFABRRRQAU
UUUAFFFFABRRRQAUUUUAFFFFABRRRQAUUUUAFFFFABRRRQAUUUUAFFFFABRR
RQAUUUUAFFFFABRRRQAUUUUAFFFFABRRRQAUUUUAFFFFABRRRQAUUUUAFFFF
ABRRRQAUUUUAFFFFABRRRQAUUUUAFFFFABRRRQAUUUUAFFFFABRRRQAUUUUA
FFFFABRRRQAUUUUAFFFFABRRRQAUUUUAFFFFABRRRQAUUUUAFFFFABRRRQAU
UUUAFFFFABRRRQAiY/ijP/CN3oXG5oyBkgD8zwK2aw/FzAeGbz0KYqZbDW5y
/wAORjXdeHlx2YwQQRxLxivQ+1ef/DsD+19ZfBDfZ7ONhXg7RLGj8CPxHX0
9B7U0IKKKKYBTSAR/KnUUANBz3p1R4w4YZweCB+hqSkAUUUUwCiiigAooooA
KKKKACiigBi9Mc8cA+op9NIB46D2p1ABRRRQAUUUUAFFFFABRRRQAUUUUA
FFFFABRRRQAUUUUAFFFFABRRRQAUUUUAFFFFABRRRQAUUUUAFFFFABRRRQAU
UUUAFFFFABRRRQAUUUUAFFFFABRRRQAUUUUAFFFFABRRRQAUUUUAFFFFABRR
QAUUUUAFFFFABRRRQAUUUUAFFFFABRRRQAUUUUAFFFFABRRRQAUUUUAFFFFA
BRRRQAUUUUAFFFFABRRRQAUUUUAFFFFABRRRQAUUUUAFFFFABRRRQAUUUUA
FFFFABRRRQAUUUUAFFFFABRRRQAUUUUAFFFFABRRRQAUUUUAFFFFABRRRQAU
UUUAFFFFABRRRQAUUUUAFFFFABRRRQAUUUUAFFFFABRRRQAUUUUAFFFFABRR
QAUUUUAFFFFABRRRQAUUUUAFFFFABRRRQAUUUUAFFFFABRRRQAUUUUAFFFFA
BRRRQAUUUUAFFFFABRRRQAUUUUAFFFFABRRRQAUUUUAFFFFABRRRQAUUUUA
FFFFABRRRQAUUUUAFFFFABRRRQAUUUUAFFFFABRRRQAUUUUAFFFFABRRRQAU
UUUAFFFFABRRRQAUUUUAFFFFABRRRQAUUUUAFFFFABWB4xP8AxTF1juMcVv1z
3jQgeF7npjplsOO5zvw6wNc10Ywfls+npixXodee/Dsf8AE8109vlsx+kt

ehVQgooooAKKKKAG9iBwcccUi7io3Ebsc46ZpVz3IP0qOEBXkUYALbgB2B/+
vmkBNRRRTAKKKKACiiigAooooAKKKKACiiigAooooAKKKKACiiigAooooAKK
KKACiiigAooooAKKKKACiiigAooooAKKKKACiiigAooooAKKKKACiiigAooo
oAKKKKACiiigAooooAKKKKACiiigAooooAKKKKACiiigAooooAKKKKACiiig
AooooAKKKKACiiigAooooAKKKKACiiigAooooAKKKKACiiigAooooAKKKKAC
iiigAooooAKKKKACiiigAooooAKKKKACiiigAooooAKKKKACiiigAooooAKK
KKACmkninUUAFFFFABRRRQAUUUUAFFFFABRRRQAUUUUAFFFFABRRRQAUUUUUA
FFFFABRRRQAUUUUAFFFFABRRRQAUUUUAFFFFABRRRQAUUUUAFFFFABRRRQA
UUUUAFFFFABRRRQAUUUUAFFFFABRRRQAUUUUAFFFFABRRRQAUUUUAFFFFABRR
RQAUUUUAFFFFABRRRQAUUUUAFFFFABRRRQAUUUUAFFFFABRRRQAUUUUAFFFF
ABRRRQAUUUUAFFFFABRRRQAUUUUAFFFFABRRRQAUUUUAFFFFABRRRQAUUUUUA
FFFFABRRRQAUUUUAFFFFABRRRQAUUUUAFFFFABRRRQAUUUUHeuc8an/Alpq
cDqSMV0dc343P/FNSgd2UfrUy2GtzD+Huf7a10Y+XyrTsOuJM+/pXoFcB8PS
P7Y11eMiO1OAAOok/wAK7+mIKKKKYBRRRQAYph4wRnjoTTxRgYxjigAopoz
jBPI/WnUgCiiimAUUUUAFFFFABRRRQAUUUUAFFFFABRRRQAUUUmeaAFooooA
KKKKACiiigAooooAKKKKACiiigAooooAKKKKACiiigAooooAKKKKACiiigAo
oooAKKKKACiiigAooooASlpAAOgApaACiiigAooooAKKKKACiiigAooooAKK
KKACiiigAooooAKKKKACiiigAooooAKKKKACiiigAooooAKKKKACiiigAooo
oAKKKKACiiigAooooAKKKKACiiigAooooAKKKKACiiigAooooAKKKKACiiig
AooooAKKKKACiiigAooooAKKKKACiiigAooooAKKKKACiiigAooooAKKKKAC
k9KWigAooooAKKKKACiiigAooooAKKKKACiiigAooooAKKKKACiiigAooooA
KKKKACiiigAooooAKKKKACiiigAooooAKKKKACiiigAooooAKKKKACiiigAo
oooAKKKKACiiigAooooAKKKKACiiigAooooAKKKKACiiigAooooAKKKKACii
igAooooAKKKKACiiigAooooAKKKKACiiigAooooAKKKKACiiigAooooAKKKK
ACiiigAooooAKKKKACiiigAooooAKKKKACiiigAooooAKKKKACiiigBK5rxy
ceHXA7uvA0O9dNXL+Oj/AMSHA7yKOvvUy2HHcy/h9u/tXOW2bbbH93O18/j
0z+Fd5XCfD8f8TPXGAGMW4BHsrf5/Gu7qhBRRRQAUUUUAFFFFADMfNkY9D/n
/PWn0UUUAFFFFABRRRQAUUUUAFFFFABRRRQAUUUUAFFFFlenWgBaKTr3paACii
igAooooAKKKKACiiigAooooAKKKKACiiigAooooAKKKKACiiigAooooAKKKK
ACiiigAooooAKKKKACiiigAooooAKKKKACiiigAooooAKKKKACiiigAooooA
KKKKACiiigAooooAKKKKACiiigAooooAKKKKACiiigAooooAKKKKACiiigAo
oooAKKKKACiiigAooooAKKKKACiiigAooooAKKKKACiiigAooooAKKKKACii
igAooooAKKKKACiiigAooooAKKKKACiiigAooooAKKKKACiiigAooooAKKKK
ACiiigAopAc8iloAKKKKACiiigAooooAKKKKACiiigAooooAKKKKACiiigAo
oooAKKKKACiiigAooooAKKKKACiiigAooooAKKKKACiiigAooooAKKKKACii
igAooooAKKKKACiiigAooooAKKKKACiiigAooooAKKKKACiiigAooooAKKKK
ACiiigAooooAKKKKACiiigAooooAKKKKACiiigAooooAKKKKACiiigAooooA
KKKKACiiigAooooAKKKKACiiigAooooAKKKKACiiigAooooAKKKKAermPHIJ
0NCOglXj8a6esnxDaG80sxr1DA59KT1GjA8A5FxrQ/h82ljH+5/nv/8AX7au
e8LaYdPW9dkw08itkjnAUADP+etdTEFFFFABRRRQAUUUUAFFFFABRRRQAUU
UUUAFFFFABRRRQAUUUUAFFFFABTCwDBe5GQP8/hSSyGOF5AM7VLYzjOkbErAY
OeOM+v8AifegCQc96dTQQRkHj1p1ABRRRQAUUUUAFFFFABRRRQAUUUUAFFFF
ABRRRQAUUUUAFFFFABRRRQAUUUUAFFFFABRRRQAUUUUAFFFFABRRRQAUUUUUA
FFFFABRRRQAUUUUAFFFFABRRRQAUUUUAFFFFABRRRQAUUUUAFFFFABRRRQA
UUUAFFFFABRRRQAUUUUAFFFFABRRRQAUUUUAFFFFABRRRQAUUUUAFFFFABRR
RQAUUUUAFFFFABRRRQAUUUUAFFFFABRRRQAUUUUAFFFFABRRRQAUUUUAFFFF
ABRRRQAUUUUAFFFFABRRRQAUUUUAFFFFABRRRQAUUUUAFFFFABRRRQAUUUUUA
FFFFABRRRQAUUUUAFFFFABRRRQAUUUUAFFFFABRRRQAUUUUAFFFFABRRRQA

UUUAAAAFBRRRQAUUUUAAAAFBRRRQAUUUUAAAAFBRRRQAUUUUAAAAFBRRR
RQAUUUUAAAAFBRRRQAUUUUAAAAFBRRRQAUVHIWETFGUNjgsMge5FSUAFFF
FBRRRQAUUUUAAAAFBRRRQAUUUUAAAAFBRRRQAUUUUAAAAFBRRRQAUUUU
AAAAFBRRRQAUUUUAAAAFBRRRQAUUUUAAAAFACDpTT/AKuiihAhl/uj6U8d
KKKBR2FooooGFFFFFBRRRQAUUUUAAAAFBRRRQAUUUUAAAAFBRRRQAUUUU
Mb7o+op3pRRQADpS0UUAAAAFBRRRQAUUUUAAAAFBRRRQAUUUUAAAAFBRRR
RQAUUUUAAAAFBRRRQAUUUUAAAAFBRRRQAUUUUAAAAFBRRRQAUUUUAAAAF
ABRRRQAUUUUAAAAFBRRRQAUUUUAAAAFBRRRQAUUUUAAAAFBRRRQAUUUU
FFFFBRRRQAUUUUAAAAFBRRRQAUUUUAAAAFBRRRQAUUUUAAAAFBRRRQA
UUUAAAAFBRRRQAUUUUAAAAFBRRRQAUUUUAAAAFBRRRQAUUUUAAAAFBRRR
RQAUUUUAAAAFBRRRQAUUUUAAAAFBRRRQAUUUUAAAAFBRRRQAUUUUAAAAF
ABRRRQAUUUUAAAAFBRRRQAUUUUAAAAFBRRRQAUUUUAAAAFBRRRQAUUUU
FFFFBRRRQAUUUUAAAAFBRRRQAUUUUAAAAFBRRRQAUUUUAAAAFBRRRQA
UUUAAAAFBRRRQAUUUUAAAAFACeILRRQAUUUUAAAAFBRRRQAUUUUAAAAFAB
RRRQAUUUUAAAAFBRRRQAUUUUAAAAFBRRRQAUUUUAAAAFBRRRQAUUUUAFF
FFBRRRQAUUUUAAf/2Q==

---=_linux43aae4f1--I'm with Neil. Spitfish from Digitalfishphones works pretty darn well and the price is definitely right. I still get the best results manually editing using automation, but it's a PITA and very time consuming. If it's a really important project though . . .

Tony

"Neil" <OIUOIU@OIU.com> wrote in message news:43aad9c7\$1@linux...

>

> "David Posey" <crosscreekrecording@hotmail.com> wrote:

>>

>>I had done a search looking for a desesser plugin but have come up with

> nothing.

>>Any help would appreciated.

>>David P

>

> Try Spitfish from Digitalfishphones.com... it's great and it's a

> freebie. If you want to spend a little \$, then you might want to consider

> Voxengo's Voxformer:

>

> <http://www.voxengo.com/product/voxformer/>

>

> The de-esser on that one is most excellent, IMO, and plus the

> plugin serves a few other functions, as well. They do have a

> demo you can try, too.

>

> NeilHey Mic,

Question: I understand the onboard DSP fx don't work in hi-res recording modes, but can you still patch to an outboard fx unit with the auxes, so a

singer, for example, could have some verb in the cans?

Bill

"Mic Cross" <crzymnmchl@comcast.net> wrote in message
news:43a99d44\$1@linux...

>
> Hi Chris, bought a 1820M a while ago - it lasted about 5
> minutes which is when I ran their s/w - didn't think anything
> could be worse than the 9652 s/w :-) Gonna plug it back in after
> all the good things you say. Is it just the mic pres that make
> it good? What about output? I have got used to the Central
> Station. Is the 1820M cleaner etc? Does it make sense to take
> sp/dif out of the 1820M and into the Central Station? Where can
> I get EmulatorX s/w for \$100? TIA,

>
> Mic.Thanks Rod !
Thanks much for taking the time sketching for me.
Happy new year.
REgards,
Dimitrios

"Rod Lincoln" <rlincoln@nospam.kc.rr.com> wrote:

>
>
>
>D
>Here's a diagram. See the 16 pins are the same, no matter which way you
think
>about it. The 10 pin WC cables are a little different.
>No spaghetti though.
>Bottom line...if it works...don't worry about it.

>Rod

>"Dimitrios" <musurgio@otenet.gr> wrote:

>>
>>Thanks,
>>What I need to clarify is which is card A , B, C and D ?
>>The ones that Paris sees as A B C D so to connect as Rod describes (A to
>>B , B to C , C to D...) OR as they are inserted in PCI slots ??? first
>(to
>>the AGP card) is A, second is B,etc.
>>The other way around (as Paris sees which are A,B<C,D) would make a spaghetti
>>interconnection.
>>That is because first card inside PC is recognized as card B, second as
>card
>>C, third as card D and fourth as card A...
>>Thanks
>>Dimitrios

>>"Rod Lincoln" <rlincoln@nospam.kc.rr.com> wrote:
>>>
>>>As far as the 16 pin cables go, hooking the output of A to the input of
>>B,
>>>and so on, completing the loop by hooking the output of D to the input
>of
>>>A, it will be the exact same hookup.
>>>Draw a diagram and you will see.
>>>As far as the 10 pin cables are concerned, it would be different. (I forgot
>>>about those). All I can say is try it the other way and see if it works.
>>>Rod
>>>
>>>"Dimitrios" <musurgio@otenet.gr> wrote:
>>>>
>>>>Dear Rod,
>>>>Thanks for replying.
>>>>Paris sees the card as follows assuming we see the cards inside PC naming
>>>>1 the one that is close to agp card and 4 the furthest away.
>>>>1 card in pc = card B in Paris
>>>>2 card in pc = card C in Paris
>>>>3 card in pc = card D in Paris
>>>>4 card in pc = card A in Paris
>>>>
>>>>Can you somehow describe how you would interconnect them ?
>>>>If I have connected them "wrongly" why does Paris work ?
>>>>
>>>>Regards,
>>>>Dimitrios
>>>>
>>>>"Rod Lincoln" <rlincoln@nospam.kc.rr.com> wrote:
>>>>>
>>>>>Hook the up as Paris sees them. If I'm understanding you correctly,
however,
>>>>>it will be the same hookup , assuming cards C and D are in order below
>>>B,
>>>>>with A on the Bottom.
>>>>>Rod
>>>>>
>>>>>
>>>>>
>>>>>"Dimitrios" <musurgio@otenet.gr> wrote:
>>>>>>
>>>>>>Hi,
>>>>>>Merry Christmas to all of you although a little bit early...
>>>>>>Regarding the intrconnection of 4 cards .
>>>>>>I connected from like in the manual from first card (slot1) to the
last
>>>>>>one

>>>>>(slot 5)
>>>>>I detect though that card 1 (slot1) is identified as card B, card 4
>(slot
>>>>>5) is identified as card A (main card)
>>>>>So due to someone's last post here should I connect as Paris sees the
>>>cards
>>>>>or as I see them inside my computer?
>>>>>Paris works ok but maybe I am risking or could have more stable setup
>>>(nothing
>>>>>major though)
>>>>>Regards,
>>>>>Dimitrios
>>>>>
>>>>>
>>>
>>
>>
>Yeah -- the Dave Brown is really really good... chas

On 23 Dec 2005 01:57:28 +1000, "cujo" <chris@nospamapplemanstudio.com>
wrote:

>
>
>I think there is a good one here
><http://www.db-audioware.com/>
>
>"David Posey" <crosscreekrecording@hotmail.com> wrote:
>>
>>I had done a search looking for a desesser plugin but have come up with
>>nothing.
>>Any help would appreciated.
>>David PHere's some pictures Aaron sent to the group some years ago, about how to do
it.

Erling

"Rod Lincoln" <rlincoln@nospam.kc.rr.com> skrev i melding
news:43aae4f1\$1@linux...

>
> D
> Here's a diagram. See the 16 pins are the same, no matter which way you
> think
> about it. The 10 pin WC cables are a little different.
> No spaghetti though.
> Bottom line...if it works...don't worry about it.
> Rod
> "Dimitrios" <musurgio@otenet.gr> wrote:
>>

>>Thanks,
>>What I need to clarify is which is card A , B, C and D ?
>>The ones that Paris sees as A B C D so to connect as Rod describes (A to
>>B , B to C , C to D...) OR as they are inserted in PCI slots ??? first
> (to
>>the AGP card) is A, second is B,etc.
>>The other way around (as Paris sees which are A,B<C,D) would make a
>>spaghetti
>>interconnection.
>>That is because first card inside PC is recognized as card B, second as
> card
>>C, third as card D and fourth as card A...
>>Thanks
>>Dimitrios
>>"Rod Lincoln" <rlincoln@nospam.kc.rr.com> wrote:
>>>
>>>As far as the 16 pin cables go, hooking the output of A to the input of
>>B,
>>>and so on, completing the loop by hooking the output of D to the input
> of
>>>A, it will be the exact same hookup.
>>>Draw a diagram and you will see.
>>>As far as the 10 pin cables are concerned, it would be different. (I
>>>forgot
>>>about those). All I can say is try it the other way and see if it works.
>>>Rod
>>>
>>>"Dimitrios" <musurgio@otenet.gr> wrote:
>>>>
>>>>Dear Rod,
>>>>Thanks for replying.
>>>>

Subject: Re: Multiple_EDS_Connection_wizard_insight_needed
Posted by [Dimitrios](#) on Thu, 22 Dec 2005 18:55:32 GMT
[View Forum Message](#) <> [Reply to Message](#)

r />
>>>>
>>>
>>
>

Thanks Erling,
My real question though is not how to connect ABC and D but which cards are

ABCD the way Paris sees them or the cards in a row...

Regards,
Dimitrios

"erlilo" <erlilo@online.no> wrote:

>Here's some pictures Aaron sent to the group some years ago, about how to
>do
>it.

>

>Erling

>

>"Rod Lincoln" <rlincoln@nospam.kc.rr.com> skrev i melding

>news:43aae4f1\$1@linux...

>>

>> D

>> Here's a diagram. See the 16 pins are the same, no matter which way you

>> think

>> about it. The 10 pin WC cables are a little different.

>> No spaghetti though.

>> Bottom line...if it works...don't worry about it.

>> Rod

>> "Dimitrios" <musurgio@otenet.gr> wrote:

>>>

>>>Thanks,

>>>What I need to clarify is which is card A , B, C and D ?

>>>The ones that Paris sees as A B C D so to connect as Rod describes (A
to

>>>B , B to C , C to D...) OR as they are inserted in PCI slots ??? first

>> (to

>>>the AGP card) is A, second is B,etc.

>>>The other way around (as Paris sees which are A,B<C,D) would make a

>>>spaghetti

>>>interconnection.

>>>That is because first card inside PC is recognized as card B, second as

>> card

>>>C, third as card D and fourth as card A...

>>>Thanks

>>>Dimitrios

>>>"Rod Lincoln" <rlincoln@nospam.kc.rr.com> wrote:

>>>>

>>>>As far as the 16 pin cables go, hooking the output of A to the input
of

>>>>B,

>>>>and so on, completing the loop by hooking the output of D to the input

>> of

>>>>A, it will be the exact same hookup.

>>>>Draw a diagram and you will see.

>>>>As far as the 10 pin cables are concerned, it would be different. (I
>>>>forgot
>>>>about those). All I can say is try it the other way and see if it works.
>>>>Rod
>>>>
>>>>"Dimitrios" <musurgio@otenet.gr> wrote:
>>>>>
>>>>>Dear Rod,
>>>>>Thanks for replying.
>>>>>Paris sees the card as follows assuming we see the cards inside PC
>>>>>naming
>>>>>1 the one that is close to agp card and 4 the furthest away.
>>>>>1 card in pc = card B in Paris
>>>>>2 card in pc = card C in Paris
>>>>>3 card in pc = card D in Paris
>>>>>4 card in pc = card A in Paris
>>>>>
>>>>>Can you somehow describe how you would interconnect them ?
>>>>>If I have connected them "wrongly" why does Paris work ?
>>>>>
>>>>>Regards,
>>>>>Dimitrios
>>>>>
>>>>>"Rod Lincoln" <rlincoln@nospam.kc.rr.com> wrote:
>>>>>>
>>>>>>Hook the up as Paris sees them. If I'm understanding you correctly,

>>>>>>however,
>>>>>>it will be the same hookup , assuming cards C and D are in order below
>>>>>>B,
>>>>>>with A on the Bottom.
>>>>>>Rod
>>>>>>>
>>>>>>>
>>>>>>>
>>>>>>>"Dimitrios" <musurgio@otenet.gr> wrote:
>>>>>>>>
>>>>>>>>Hi,
>>>>>>>>Merry Christmas to all of you although a little bit early...
>>>>>>>>Regarding the intrc

Subject: Re: Multiple_EDS_Connection_wizard_insight_needed
Posted by [erlilo](#) on Thu, 22 Dec 2005 19:33:40 GMT
[View Forum Message](#) <> [Reply to Message](#)

of line without noticing.

2) BNC connecting MEC A wordclock =
out
to Mec=20
B wordclock in?

3) If 1 and 2 are right, make sure submix B in=20
the
Group Master Section is set to Card B not virtual
or anything=20
else.

The mix of submix card A and B should be audible at
mL =
& mR=20
as well as ML & MR outs off Submix A
Master section in the=20
patchbay.
Hope this helps,
Tom Bruhl</DIV>
<DIV><FONT face=3D"Times New Roman"=20
size=3D3>----- </DIV>
<DIV><FONT face=3D"Times New Roman" =
size=3D3>I seems to=20
remember there was something about it in the manual, so I =
looked, so=20
here you go: The card that's nearest the AGP card is allways card =
A,=20
followed by B etc., as far as I can understand from the=20
manual.</DIV>
<DIV><FONT face=3D"Times New Roman"=20
size=3D3> </DIV>
<DIV><FONT face=3D"Times New Roman" =
size=3D3>Hope this will=20
help and a merry Christmas, Dimitros.</DIV>
<DIV><FONT face=3D"Times New Roman"=20
size=3D3> </DIV>
<DIV><FONT face=3D"Times New Roman"=20
size=3D3>Erling</DIV>
<DIV>

<DIV> </DIV>
<DIV>"Dimitrios" <<A=20
href=3D"mailto:musurgio@otenet.gr"><FONT face=3DArial=20
size=3D2>musurgio@otenet.gr> =
skrev i melding=20
<FONT face=3DArial=20
size=3D2>news:43aaf8a8\$1@linux<FONT face=3DArial=20
size=3D2>...</DIV>>
> =
Thanks=20
Erling,
> My real question though is not how to connect ABC and D =
but=20
which cards are
> ABCD the way Paris sees them or the cards in a=20
row...
> Regards,
> Dimitrios
>
> "erlilo"=20
<<FONT face=3DArial=20
size=3D2>erlilo@online.no>=20
wrote:
>>Here's some pictures Aaron sent to the group some =
years ago,=20
about how to
> do=20

>>it.
>>
>>Erling
>>
>>"Rod=
=20

Lincoln" <FONT =
face=3DArial=20
size=3D2>rlincoln@nospam.kc.rr.com<FONT face=3DArial =
size=3D2>> skrev i=20
melding =

>>news:43aae4f1\$1@linux...
>>>
>>>=20
D
>>> Here's a diagram. See the 16 pins are the same, no =
matter=20
which way you
>
>>> think
>>> about it. =
The 10=20
pin WC cables are a little different.
>>> No spaghetti=20
though.
>>> Bottom line...if it works...don't worry about=20
it.
>>> Rod
>>> "Dimitrios" <A=20
href=3D"mailto:musurgio@otenet.gr"><FONT face=3DArial=20
size=3D2>musurgio@otenet.gr>=20
wrote:
>>>>
>>>>>Thanks,
>>>>=
What I=20
need to clarify is which is card A , B, C and D ?
>>>>The =
ones=20
that Paris sees as A B C D so to connect as Rod describes (A
>=20
to
>>>>B , B to C , C to D...) OR as they are inserted in =
PCI=20
slots ??? first
>>>> (to
>>>>>the AGP =
card) is A,=20
second is B,etc.
>>>>>The other way around (as Paris sees =
which=20
are A,B<C,D) would make a=20

>>>>>spaghetti
>>>>>>interconnection.
>=
>>>>That=20
is because first card inside PC is recognized as card B, second=20
as
>>>>> card
>>>>>>C, third as card D and fourth =
as card=20
A...
>>>>>Thanks
>>>>>>Dimitrios
>>>=
t;>>"Rod=20
Lincoln" <FONT =
face=3DArial=20
size=3D2>rlincoln@nospam.kc.rr.com<FONT face=3DArial =
size=3D2>>=20
wrote:
>>>>>
>>>>>>>As far as the 16 =
pin=20
cables go, hooking the output of A to the input
>=20
of
>>>>>B,
>>>>>>>>and so on, completing =
the loop=20
by hooking the output of D to the input
>>>=20
of
>>>>>>>>A, it will be the exact same=20
hookup.
>>>>>>>>Draw a diagram and you will=20
see.
>>>>>>>>>As far as the 10 pin cables are concerned, =
it would=20

Christmas to all of you although a little bit early...
Regarding the intrconnection of 4 cards .
I connected from like in the manual from first card (slot1) to the last one (slot5)
I detect though that card 1 (slot1) is identified as card B, card 4 (slot4) is identified as card A (main card)
So due to someone's last post here should I connect as Paris sees the cards or as I see them inside my computer?
Paris works ok but maybe I am risking or could have more stable setup (nothing major though)
Regards,
Dimitrios

-----=_NextPart_000_0047_01C60736.FE805710--I'm an equal opportunity hater--XP and OS X are but minor variations on the very same theme. The wonderful world of GNU/Linux, where I am in control of my own computer, as another symphony entirely.

TCB

"Tony Benson" <tony@standinghampton.com> wrote:

>So Thad, are you saying you don't care for Apple, OSX and the mac in general

>? You're being so vague. ;>)

>

>I'll start my twelve step program right now, but I'm not guaranteeing

>anything!

>

>Hi, my name is Tony and I use a Mac.

>

>,>)

>

>Tony
>
>
>"TCB" <nobody@ishere.com> wrote in message news:43aab7b1\$1@linux...
>>
>> This is a bit cryptic to me, but if Debian/Gnome is bad sex and
>> man'n'cheese
>> then OS X is erectile dysfunction and cold noodle soup.
>>
>> TCB
>>
>> "DC" <dc@spambillgates.org> wrote:
>>>
>>>Sheesh, yeah, you can get used to bad sex and mac n' cheese for
>>>dinner too...
>>>
>>>heh
>>>
>>>
>>>
>>>"TCB" <nobody@ishere.com> wrote:
>>>>
>>>>Why on earth anyone would want a proprietary, bloated *nix on X86
>>>>processors
>>>>is completely and totally beyond me. You want audio? Install XP, it works
>>>>great. You want every last drop of *nix scrumptiousness on planet earth
>>>>with
>>>>the same hardware? www.debian.org and you won't owe Cupertino one thin
>> dime.
>>>>
>>>>
>>>>Come on in! The water's fine! Once you get used to being out of Big
>>>>Brother's
>>>>reach you'll love it!
>>>>
>>>>TCB
>>>>
>>>>"James McCloskey" <excelsm@hotmail.com> wrote:
>>>>>
>>>>>FYI, some interesting info about Mac OSX running on a PC.
>>>>>
>>>>> http://www.wired.com/news/mac/0,2125,68501,00.html?tw=wn_story_related
>>>>>
>>>>><http://osx86project.org/>
>>>>>
>>>
>>
>
>

>The G5 is a fine RISC chip. The core technology is also what's in most of the supercomputer gamer consoles as well. However, many people have been very surprised at the penalty in performance running OS X vs the couple of GNU/Linux flavors available for the chip. If the reports I hear are true there is a lot of, erm, "optimization" that could be done in OS X to make it snappier. Why they don't is beyond me, but the evidence is pretty hard to argue against.

What's the state of memory/drive technology in OS X these days? That could have a lot to do with it as well.

TCB

"James McCloskey" <excelsm@hotmail.com> wrote:

>

>Morgan <morganp@ntplx.net> wrote:

>>Hi James,

>>Our Buddy Pete Leoni figured this one out long

>>ago - his 3 gig Celeron running OSX totally spanked

>>a dual G5 in a HUGE way !!

>>

>>Morgan

>>

>

>Hey Morgan! I think I smell some B.S. I'm having a hard time believing

a

>Celeron could beat a G5, maybe an early 1.6 single processor with the slower

>bus speed???, but I doubt it. I don't think Virginia Tech would have built

>the 4th fastest super computer on the planet with G5s if G5 were slow.

Why

>don't you get the guy to post here. I think it would be interesting to hear

>about his findings.

>

>James

>

>

>>

>>James McCloskey wrote:

>>> FYI, some interesting info about Mac OSX running on a PC.

>>>

>>> http://www.wired.com/news/mac/0,2125,68501,00.html?tw=wn_story_related

>>>

>>> <http://osx86project.org/>

>>Mac your KDE desktop look just like OS X!

<http://linuxgangster.org/modules.php?name=Content&file=viewarticle&id=15>

TCB

"Tony Benson" <tony@standinghampton.com> wrote:

>So Thad, are you saying you don't care for Apple, OSX and the mac in general

>? You're being so vague. ;>)

>

>I'll start my twelve step program right now, but I'm not guaranteeing

>anything!

>

>Hi, my name is Tony and I use a Mac.

>

>;>)

>

>Tony

>

>

>"TCB" <nobody@ishere.com> wrote in message news:43aab7b1\$1@linux...

>>

>> This is a bit cryptic to me, but if Debian/Gnome is bad sex and

>> man'n'cheese

>> then OS X is erectile dysfunction and cold noodle soup.

>>

>> TCB

>>

>> "DC" <dc@spambillgates.org> wrote:

>>>

>>>Sheesh, yeah, you can get used to bad sex and mac n' cheese for

>>>dinner too...

>>>

>>>heh

>>>

>>>

>>>

>>>"TCB" <nobody@ishere.com> wrote:

>>>>

>>>>Why on earth anyone would want a proprietary, bloated *nix on X86

>>>>processors

>>>>is completely and totally beyond me. You want audio? Install XP, it works

>>>>great. You want every last drop of *nix scrumptiousness on planet earth

>>>>with

>>>>the same hardware? www.debian.org and you won't owe Cupertino one thin

>> dime.

>>>>

>>>>

>>>>Come on in! The water's fine! Once you get used to being out of Big

>>>>Brother's

>>>>reach you'll love it!

>>>>
>>>>TCB
>>>>
>>>>"James McCloskey" <excelsm@hotmail.com> wrote:
>>>>>
>>>>>FYI, some interesting info about Mac OSX running on a PC.
>>>>>
>>>>> http://www.wired.com/news/mac/0,2125,68501,00.html?tw=wn_story_related
>>>>>
>>>>><http://osx86project.org/>
>>>>
>>>
>>
>
>I have seen that you can get a patch for your A8V so you can use the
matrox-drivers in matrox forum, all you have do is go to the forum ask for
the patch and they will send it to your email-address.
hope it helps
Jorsi
"DJ" <animix_spam-this-ahole_@animas.net> skrev i en meddelelse
news:43a45564@linux...
> Life seems to be good without the VIA drivers, t least on the AGP. Looks
> like the AGP is OK and the cards are OK. I was worried that I might be
> having a hardware problem but life is good without the VIA drivers.
> I didn't Ghost before I loaded these drivers (hey!!!!..... these were
> the mobo drivers!!!!.....what could go wrong ? ;o) so I had to reformat
> the
> new system drive and load Windows XP again. I've got both the Matrox video
> cards working nicely now and I'm Ghosting the system drive as we speak.
>
> I'm thinking of loading the Matrox universal driver, though I have found
> the
> default Matrox drivers that is in XP to be a bit less troublesome because
> it
> doesn't laod all of the extra Power Desk features, none of which I use.
>
> (Yawn.....was up until 4AM jacking around with this thing.....need
> coffee.....).
>
>
> "erlilo" <erlilo@online.no> wrote in message news:43a3e23c\$1@linux...
>> Doug, this seems to again be a long story for you. Have you tested with
> the
>> new Matrox G450 certified drivers from sept.05. I had no luck with the
>> new
>> driver on my sForce Epox 9NDA3+ board but maybe VIA will eat it? The new
>

Subject: Re: Multiple_EDS_Connection_wizard_insight_needed

Posted by [Dimitrios](#) on Thu, 22 Dec 2005 20:04:08 GMT

[View Forum Message](#) <> [Reply to Message](#)

input

>>> of

>>>>A, it will be the exact same hookup.

>>>>Draw a diagram and you will see.

>>>>As far as the 10 pin cables are concerned, it would be different. =

(I

>=20

>>>>forgot

>>>>about those). All I can say is try it the other way and see if it = works.

>>>>Rod

>>>>

>>>>"Dimitrios" <musurgio@otenet.gr> wrote:

>>>>>

>>>>>Dear Rod,

>>>>>Thanks for replying.

>>>>>Paris sees the card as follows assuming we see the cards inside PC =

>>>>>naming

>>>>>1 the one that is close to agp card and 4 the furthest away.

>>>>>1 card in pc =3D card B in Paris

>>>>>2 card in pc =3D card C in Paris

>>>>>3 card in pc =3D card D in Paris

>>>>>4 card in pc =3D card A in Paris

>>>>>

>>>>>Can you somehow describe how you would interconnect them ?

>>>>>If I have connected them "wrongly" why does Paris work ?

>>>>>

>>>>>Regards,

>>>>>Dimitrios

>>>>>

>>>>>"Rod Lincoln" <rlincoln@nospam.kc.rr.com> wrote:

>>>>>>

>>>>>>Hook the up as Paris sees them. If I'm understanding you = correctly,

>=20

>>>>>>however,

>>>>>>it will be the same hookup , assuming cards C and D are in order = below

>>>>>B,

>>>>>>with A on the Bottom.

>>>>>>Rod

>>>>>>

>>>>>>

>>>>>>
>>>>>>"Dimitrios" <musurgio@otenet.gr> wrote:
>>>>>>
>>>>>>>Hi,
>>>>>>>Merry Christmas to all of you although a little bit early...
>>>>>>>Regarding the intrconnection of 4 cards .
>>>>>>>I connected from like in the manual from first card (slot1) to =
the
>=20
>>>>>>>last
>>>>>>>one
>>>>>>>(slot 5)
>>>>>>>I detect though that card 1 (slot1) is identified as card B, =
card
> 4
>>> (slot
>>>>>>>5) is identified as card A (main card)
>>>>>>>So due to someone's last post here should I connect as Paris =
sees
> the
>>>>>cards
>>>>>>>or as I see them inside my computer?
>>>>>>>Paris works ok but maybe I am risking or could have more stable =
setup
>>>>>(nothing
>>>>>>>major though)
>>>>>>>Regards,
>>>>>>>Dimitrios
>>>>>>>
>>>>>>>
>>>>>>>
>>>>>
>>>>>
>>>>>=20
>>
>>
>>
>>
>

-----=_NextPart_000_0047_01C60736.FE805710
Content-Type: text/html;
charset="iso-8859-1"
Content-Transfer-Encoding: quoted-printable

<!DOCTYPE HTML PUBLIC "-//W3C//DTD HTML 4.0 Transitional//EN">
<HTML><HEAD>
<META http-equiv=3DContent-Type content=3D"text/html; =
charset=3Diso-8859-1">
<META content=3D"MSHTML 6.00.2900.2802" name=3DGENERATOR>

<STYLE></STYLE>
</HEAD>
<BODY>
<DIV>The only thing I found here now, =
is some=20
writings from earlier. If it will help, I don't know, but here it=20
comes:</DIV>
<DIV> </DIV>
<DIV>-The card assignments do not affect =
the=20
cabling. The 10 pin is a straight across connection, and the 16 pin =
crisscrosses=20
-always. The last card connects back to the first card, again crossing =
over the=20
same as if the cards were next to each --other.

-There is no need =
to be=20
concerned about how Paris "sees" the order of the cards. It does not =
affect the=20
cables.

-Regards,
-Brian=20
T
-----</DIV>
<DIV><FONT face=3D"Times New Roman" =
size=3D3>1) Are the=20
eds cards connected with the
criss-cross ribbon cables AND =
one
clock cable=20
inside your computer?
Double check the pins. They sometimes =
are
out=20

Subject: Re: Multiple_EDS_Connection_wizard_insight_needed
Posted by [Dimitrios](#) on Thu, 22 Dec 2005 23:05:01 GMT
[View Forum Message](#) <> [Reply to Message](#)

re is no need
=
>to be=20
>concerned about how Paris "sees" the order of the cards. It does not =
>affect the=20
>cables.

-Regards,
-Brian=20
>T
-----</DIV>
><DIV><FONT face=3D"Times New Roman" =
>size=3D3>1) Are the=20
>eds cards connected with the
criss-cross ribbon cables AND =
>one
clock cable=20

>are
out=20
>of line without noticing.

2) BNC connecting MEC A wordclock =
>out
to Mec=20
>B wordclock in?

3) If 1 and 2 are right, make sure submix B in=20

>the
Group Master Section is set to Card B not virtual
or anything=20
>else.

The mix of submix card A and B should be audible at
mL =
>& mR=20
>as well as ML & MR outs off Submix A
Master section in the=20
>patchbay.
Hope this helps,
Tom Bruhl</DIV>
><DIV><FONT face=3D"Times New Roman"=20
>size=3D3>-----</DIV>
><DIV><FONT face=3D"Times New Roman" =

>looked, so=20

>A,=20
>followed by B etc., as far as I can understand from the=20
>manual.</DIV>
><DIV><FONT face=3D"Times New Roman"=20

><DIV><FONT face=3D"Times New Roman" =
>size=3D3>Hope this will=20
>help and a merry Christmas, Dimitros.</DIV>
><DIV><FONT face=3D"Times New Roman"=20

><DIV><FONT face=3D"Times New Roman"=20
>size=3D3>Erling</DIV>
><DIV>
</DIV>

><DIV>"Dimitrios" <<A=20
>href=3D"mailto:musurgio@otenet.gr"><FONT face=3DArial=20
>size=3D2>musurgio@otenet.gr> =
>skrev i melding=20
><FONT face=3DArial=20
>size=3D2>news:43aaf8a8\$1@linux<FONT face=3DArial=20
>size=3D2>...</DIV>>
> =
>Thanks=20
>Erling,
> My real question though is not how to connect ABC and D =
>but=20
>which cards are
> ABCD the way Paris sees them or the cards in a=20
>row...
> Regards,
> Dimitrios
>
> "erlilo"=20
><<FONT face=3DArial=20
>size=3D2>erlilo@online.no>=20
>wrote:
>>Here's some pictures Aaron sent to the group some =
>years ago,=20
>about how to
> do=20
>
>>it.
>>
>>Erling
>>
>>"Rod=
>=20
>Lincoln" <<FONT =
>face=3DArial=20
>size=3D2>rlincoln@nospam.kc.rr.com<FONT face=3DArial =

>size=3D2>> skrev i=20
 >melding =
 >
>>news:43aae4f1\$1@linux...
>>>
>>>=20
 >D
>>> Here's a diagram. See the 16 pins are the same, no =
 >matter=20
 >which way you
>
>>> think
>>> about it. =
 >The 10=20
 >pin WC cables are a little different.
>>> No spaghetti=20
 >though.
>>> Bottom line...if it works...don't worry about=20
 >it.
>>> Rod
>>> "Dimitrios" <<A=20
 >href=3D"mailto:musurgio@otenet.gr"><FONT face=3DArial=20
 >size=3D2>musurgio@otenet.gr>=20
 >wrote:
>>>>
>>>>Thanks,
>>>>=
 >What I=20
 >need to clarify is which is card A , B, C and D ?
>>>>The =
 >ones=20
 >that Paris sees as A B C D so to connect as Rod describes (A
>>=20
 >to
>>>>B , B to C , C to D...) OR as they are inserted in =
 >PCI=20

 >card) is A,=20
 >second is B,etc.
>>>>The other way around (as Paris sees =
 >which=20
 >are A,B<C,D) would make a=20
 >
>>>>spaghetti
>>>>interconnection.
>>=
 >>>>That=20
 >is because first card inside PC is recognized as card B, second=20
 >as
>>>> card
>>>>C, third as card D and fourth =
 >as card=20
 >A...
>>>>Thanks
>>>>Dimitrios
>>>>&g=
 >t;"Rod=20
 >Lincoln" <<FONT =
 >face=3DArial=20
 >size=3D2>rlincoln@nospam.kc.rr.com<FONT face=3DArial =
 >size=3D2>>=20
 >wrote:
>>>>>
>>>>>As far as the 16 =
 >pin=20
 >cables go, hooking the output of A to the input
>>=20
 >of
>>>>B,
>>>>>and so on, completing =
 >the loop=20
 >by hooking the output of D to the input
>>>>=20
 >of
>>>>>A, it will be the exact same=20
 >hookup.
>>>>>Draw a diagram and you will=20
 >see.
>>>>>As far as the 10 pin cables are concerned, =
 >it would=20
 >be different. (I
>>=20
 >
>>>>>forgot
>>>>>about those). All =
 >I can=20

>say is try it the other way and see if it=20
 >works.
>>>>Rod
>>>>
>>>=
 >>>"Dimitrios"=20
 ><<FONT face=3DArial=20
 >size=3D2>musurgio@otenet.gr>=20
 >wrote:
>>>>>
>>>>>>Dear=20
 >Rod,
>>>>>>Thanks for=20
 >replying.
>>>>>>Paris sees the card as follows =
 >assuming we=20
 >see the cards inside PC=20
 >
>>>>>>namings
>>>>>>>1 the one =
 >that is=20
 >close to agp card and 4 the furtherst away.
>>>>>>>1 =
 >card in=20
 >pc =3D card B in Paris
>>>>>>>2 card in pc =3D card =
 >C in=20
 >Paris
>>>>>>>3 card in pc =3D card D in=20
 >Paris
>>>>>>>4 card in pc =3D card A in=20
 >Paris
>>>>>>>
>>>>>>>Can you =
 >somehow=20
 >describe how you would interconnect them ?
>>>>>>>If =
 >I have=20
 >connected them "wrongly" why does Paris work=20
 >?
>>>>>>>
>>>>>>>Regards,
>>=
 >>>>>>>>Dimitrios
>>>>>>>
>>>>>=
 >>>>"Rod=20
 >Lincoln" <<FONT =
 >face=3DArial=20
 >size=3D2>rlincoln@nospam.kc.rr.com<FONT face=3DArial =
 >size=3D2>>=20
 >wrote:
>>>>>>>
>>>>>>>>Hoo=
 >k the=20
 >up as Paris sees them. If I'm understanding you correctly,
>=20
 >
>>>>>>>>however,
>>>>>>>>i=
 >t will=20
 >be the same hookup , assuming cards C and D are in order=20
 >below
>>>>>>>>B,
>>>>>>>>>with A on =
 >the=20
 >Bottom.
>>>>>>>>Rod
>>>>>>>>>=
 >;
>>>>>>>>
>>>>>>>>>
>>=
 >>>>>>>>>"Dimitrios"=20
 ><<FONT face=3DArial=20
 >size=3D2>musurgio@otenet.gr>=20
 >wrote:
>>>>>>>>
>>>>>>>>>=
 >;>Hi,
>>>>>>>>>>Merry=20
 >Christmas to all of you although a little bit=20
 >early...
>>>>>>>>>>>Regarding the intrconnection =
 >of 4=20

> TCB
>
> "James McCloskey" <excelsm@hotmail.com> wrote:
>
>>Morgan <morganp@ntplx.net> wrote:
>>
>>>Hi James,
>>>Our Buddy Pete Leoni figured this one out long
>>>ago - his 3 gig Celeron running OSX totally spanked
>>>a dual G5 in a HUGE way !!
>>>
>>>Morgan
>>>
>>
>>Hey Morgan! I think I smell some B.S. I'm having a hard time believing
>
> a
>
>>Celeron could beat a G5, maybe an early 1.6 single processor with the slower
>>bus speed???, but I doubt it. I don't think Virginia Tech would have built
>>the 4th fastest super computer on the planet with G5s if G5 were slow.
>
> Why
>
>>don't you get the guy to post here. I think it would be interesting to
>
> hear
>
>>about his findings.
>>
>>James
>>
>>
>>
>>>James McCloskey wrote:
>>>
>>>>FYI, some interesting info about Mac OSX running on a PC.
>>>>
>>>> http://www.wired.com/news/mac/0,2125,68501,00.html?tw=wn_story_related
>>>>
>>>><http://osx86project.org/>
>>>>
>"TCB" <nobody@ishere.com> wrote:
>
>The G5 is a fine RISC chip. The core technology is also what's in most of
>the supercomputer gamer consoles as well. However, many people have been
>very surprised at the penalty in performance running OS X vs the couple
of

>GNU/Linux flavors available for the chip. If the reports I hear are true
>there is a lot of, erm, "optimization" that could be done in OS X to make
>it snappier. Why they don't is beyond me, but the evidence is pretty hard
>to argue against.
>
>What's the state of memory/drive technology in OS X these days? That could
>have a lot to do with it as well.
>
>TCB

This is funny, he is blaming The G5 processor for being slow, and you your blaming Mac OSX for being slow. Which is it? Why don't you guys go do some real research. There has been speed test on the G5. I think you will find that there is plenty of data to show that the G5 is fast. There are plenty of OSX users here that will tell you OSX is snappy.

I'd like to see system for system tests. Same memory, same hard drive, same task etc. Show me some facts, then I'll believe it. If it's true that Mac OSX runs faster on PC hardware than on Apple hardware with a G5, than the world should know!

I think it just more Mac bashing, PC Zealot stuff.

James

>
>"James McCloskey" <excelsm@hotmail.com> wrote:
>>
>>Morgan <morganp@ntplx.net> wrote:
>>>Hi James,
>>>Our Buddy Pete Leoni figured this one out long
>>>ago - his 3 gig Celeron running OSX totally spanked
>>>a dual G5 in a HUGE way !!
>>>
>>>Morgan
>>>
>>
>>Hey Morgan! I think I smell some B.S. I'm having a hard time believing
>a
>>Celeron could beat a G5, maybe an early 1.6 single processor with the slower
>>bus speed???, but I doubt it. I don't think Virginia Tech would have built
>>the 4th fastest super computer on the planet with G5s if G5 were slow.

>Why
>>don't you get the guy to post here. I think it would be interesting to

>hear
>>about his findings.
>>
>>James
>>
>>
>>>
>>>James McCloskey wrote:
>>>> FYI, some interesting info about Mac OSX running on a PC.
>>>>
>>>> http://www.wired.com/news/mac/0,2125,68501,00.html?tw=wn_story_related
>>>>
>>>> <http://osx86project.org/>
>>>
>You realize I was being silly, right? I have heard though and it's probably true that a lot of the OSX code is rather bloated and could be streamlined. When a company does things right though (I'm thinking Adobe and Photoshop here) the G5 chips can keep up with and even surpass the Intel stuff. There is plenty of benchmark info out there in this area. For me, OSX seems pretty responsive. Plus, I just like the way my Macs work. I would like to look into the whole open source thing, but just don't have the time to learn the technical end of it. Like I say, use the platform that you're comfortable with and works for you.

Tony

"TCB" <nobody@ishere.com> wrote in message news:43ab024e\$1@linux...
>
> I'm an equal opportunity hater--XP and OS X are but minor variations on
> the
> very same theme. The wonderful world of GNU/Linux, where I am in control
> of my own computer, as another symphony entirely.
>
> TCB
>
> "Tony Benson" <tony@standinghampton.com> wrote:
>>So Thad, are you saying you don't care for Apple, OSX and the mac in
>>general
>
>>? You're being so vague. ;>
>>
>>I'll start my twelve step program right now, but I'm not guaranteeing
>>anything!
>>
>>Hi, my name is Tony and I use a Mac.
>>

>>;>)
>>
>>Tony
>>
>>
>>"TCB" <nobody@ishere.com> wrote in message news:43aab7b1\$1@linux...
>>>
>>> This is a bit cryptic to me, but if Debian/Gnome is bad sex and
>>> man'n'cheese
>>> then OS X is erectile dysfunction and cold noodle soup.
>>>
>>> TCB
>>>
>>> "DC" <dc@spambillgates.org> wrote:
>>>>
>>>>Sheesh, yeah, you can get used to bad sex and mac n' cheese for
>>>>dinner too...
>>>>
>>>>heh
>>>>
>>>>
>>>>
>>>>"TCB" <nobody@ishere.com> wrote:
>>>>>
>>>>>Why on earth anyone would want a proprietary, bloated *nix on X86
>>>>>processors
>>>>>is completely and totally beyond me. You want audio? Install XP, it
>>>>>works
>>>>>great. You want every last drop of *nix scrumptiousness on planet earth
>>>>>with
>>>>>the same hardware? www.debian.org and you won't owe Cupertino one thin
>>> dime.
>>>>>
>>>>>
>>>>>Come on in! The water's fine! Once you get used to being out of Big
>>>>>Brother's
>>>>>reach you'll love it!
>>>>>
>>>>>TCB
>>>>>
>>>>>"James McCloskey" <excelsm@hotmail.com> wrote:
>>>>>>
>>>>>>FYI, some interesting info about Mac OSX running on a PC.
>>>>>>
>>>>>> http://www.wired.com/news/mac/0,2125,68501,00.html?tw=wn_sto_ry_related
>>>>>>
>>>>>><http://osx86project.org/>
>>>>>>

>>>>

>>>

>>

>>

>I'm with everyone else on the Dave Brown plugin and Spiffish too They are

Subject: Re: Multiple_EDS_Connection_wizard_insight_needed

Posted by [cyrille](#) on Fri, 23 Dec 2005 08:00:46 GMT

[View Forum Message](#) <> [Reply to Message](#)

am@not_here.dude" target="_blank">nospam@not_here.dude> wrote in message
news:43abbea9@linux...

> ... and DeeJ turned me onto it a night ago, and I am becoming obsessed
> with it. Once I get my personal business out of the way and set back up in
> my new house (just closed on it today!) I'm definitely going to dive in
> full force with it.

> Danke' Doug and Mic.. great find !

>

> AA

>

>

> "DJ" <animix_spam-this-ahole_@animas.net> wrote in message

> news:43ab3cd5\$1@linux...

>> http://www.rayzoon.com/jamstix_feat.html

>>

>> This is absolutely the coolest thing since sliced bread. I've got it
>> happening right now using BDF as the sound engine, but it also has a very
>> good sounding sample set of it's own and or can be used with DFH as well.
>> Mic Cross turned me on to this about a week ago and I have
