

---

Subject: Re: 2 cards  
Posted by [Deej \[1\]](#) on Sun, 27 Nov 2005 04:47:58 GMT  
[View Forum Message](#) <> [Reply to Message](#)

---

QN9rPs1MtaQ 8kOh72V/zVe7  
b737v0mxepWY0scz5rXCPaS0j+o781cx1P6l3X2G/H6pkeqNWNynOsAPPtu qdW9nu/4JK1U  
/wD/1BdM/wCdX2Wr1vQmRPrfz+yPz9v6L1P+M/SrV/y36Lp9OYEejG/+Vt3L xpJKe/8A3uy+  
Hy9P8L5n3Xpv2j7DR9rn7Ts/TbondJ8P5P0fz/8ASe9XBtlfPySCH6EHpzop jb5r54SSU/Q+  
nfhOPT7L53SSU/RHsIROz+9fPKSSn2fqf2T7a70P2h9unT0tu2Y9npet+Z/o vSVjo/230LP2  
l6u6R6P2j0/U2993ofp/U3f6X/ra8QSUsvlj83y/pf8Acf1GGHzT+T5j8n/q X/WvvTvt5u75  
8f8AgvuQH+zdtjtC8MSUZ+jKPq//2ThCSU0EIRpWZXJzaW9uIGNvbXBhdGlicWxpdkhkaW5m  
bwAAAABVAAAAAQEAAAAPAEAAZABvAGIAZQAgFAAAaABvAHQAAbwBzAGgAbwBw  
AAAAEwBBAGQA  
bwBiAGUAIABQAGgAbwB0AG8AcwBoAG8AcAAgADYALgAwAAAAQA4QkINBAYM  
SIBFRyBRdWFs  
aXR5AAAAAAcAAQAAAAEABAP/hlX5FeGImAABJSSoACAAAABUADwECABIAAAAK  
AQAAEAECAAoA  
AAAcAQAAEGEDAAEAAAABANpOGgEFAAEAAAAmQAAGwEFAAEAAAAuAQAACAED  
AAEAAAACANpO  
MQECAAoAAAA2AQAAmGECABQAAABAAQAAEwIDAEEAAAACANpOaYcEAAEAAABc  
AQAAAaQDAEA  
AAAAAAAAAqQDAEEAAAAAAAAAAAA6QDAEEAAAAAAAAABKQFAAEAAABUAQAABaQD  
AAEAAAAbAAAA  
BqQDAEEAAAAAAAAAB6QDAEEAAAAANtOCKQDAEE

---

---

Subject: 2 cards  
Posted by [scott l](#) on Sun, 27 Nov 2005 05:45:02 GMT  
[View Forum Message](#) <> [Reply to Message](#)

---

2jJcMsgOFpNrHgyleTY2P8A BO27v5zYuh9H  
XzSNMmSZJSU456ZQSHFsvjv/Ojw3fSTW4DXN27WubERECFsejCY0D4pJeSy  
vq83Y44YOPad  
WjV1Zd/KaZe3/rT1lf8AN7rVhLbsqnHY7RzqGuLyPJ9n0P8APXfPrrZG9wbv MN3ECT/JIQdj  
McJgHzRs0igS+SZFGbUXYtNd7bHODPTDHBzmt3fmNaiM+rHWv

---

---

Subject: Re: 2 cards  
Posted by [audioguy\\_nospam\\_](#) on Sun, 27 Nov 2005 09:21:28 GMT  
[View Forum Message](#) <> [Reply to Message](#)

---

CAA AAAATUVELkgg  
AABBRi1TICAAAE5PUk1BTCAgICAglIAAAAABPcHRpb25hbCwUVEwAAAAAAAAA  
AAvAB9AAAAAA  
AAAAAU5PUk1BTCAgAAAAAAAAALQAAAAKAAACvAAAAAoAAAAjAAAACgAAAC0A  
AAAKTU9ERTFh  
ICAAAAAAU1BFRURMSUdIVCAAMDEwMwYRAXgAARRSAgYAAAAAAB8AAAAAAAAA

AB8AAAAAAAAA  
 AAAAAAAAAAAAAAAAAAAAAAAAAAAAcAAAAAAAAAAAAAfAAAAAAAAAAAAADwAAAAA  
 AAAAAAAAAAAAA  
 VwAAAABXAAAAAABXAswzzDPMBQkBBADMANgA1QCOAJEACwFyAAIAIgACAAAA  
 AAABAAMAAAJW  
 AAAaDPMM8wzzDPMM8wzzDPMM8wzzDPMM8wzzDPMM8wzzDPMM8wzzDPMM8wz  
 zDPMM8wzzDPM  
 M8wzzDPMM8wzzDPMM8wzzDPMM8wzzDPMM8wFCQEEAAcA4AA+AE5NT0o2SkVG  
 QDRIRENBON4d  
 AQEjAgAOCgEQAQAAACccAANeqyci4B3bGBXTg6Hq52NgHRpX1ZMDHKcIlmA  
 eHfPylsLb5yU  
 i4B3cWdiXAMAJBhI3AgBNiQBAEgkGCQAAAAQCOa1uAlt2AEAAAAAAAF4xiA7  
 EbUAOABwAAAA  
 DwYHBwwDBQclEgMHCQkLBAAAAAAAAAAAAAAAAAAAAAAAAA

Subject: Re: 2 cards  
 Posted by [scott I](#) on Mon, 28 Nov 2005 18:44:10 GMT  
[View Forum Message](#) <> [Reply to Message](#)

> > >>Hey guys,  
 > > >>  
 > > >>Well, I just had to pop up a pic of this. :-) I started building this  
 > > >>last month when the DM2K arrived, now I just finished assembling it.  
 > > >>I still have a lot of fill 'n finish to do, but it's up

Subject: Re: 2 cards  
 Posted by [Aaron Allen](#) on Tue, 29 Nov 2005 00:13:16 GMT  
[View Forum Message](#) <> [Reply to Message](#)

it, but I understand I have a load of stuff to control..  
 function  
 > keys or macros would be nice.  
 > units include VCR, TV, Surround Receiver, 2nd DVDr/rw, camcorder, fan  
 (yes,  
 > I actually have a remote control for my stand up room fan hahah), DAT and  
 a  
 > DCC.  
 > The only thing I've found thus far that can handle most of it is a pocket  
 > PC.. but even it won't hang the whole lot of 'em. Not to mention it was  
 > about \$600 (gulp)  
 >  
 > I don't want too much, do I?  
 >  
 > Thanks !

>  
> AA  
>  
>  
>i'm cheerin' for ya.

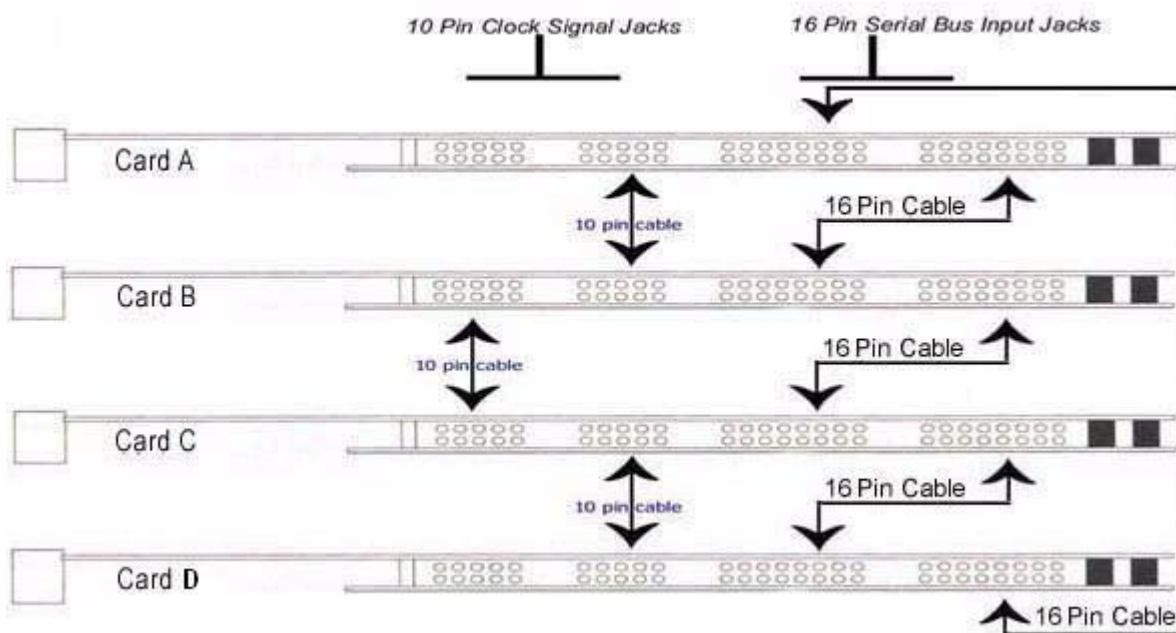
On 29 Nov 2005 03:03:19 +1000, "LaMont" <jjdpro@ameritech.net> wrote:

>  
>Hey Rick.. I know ..I have this terrible keyboard on top of my Kurzweil k2500..

### File Attachments

1) [Paris 4 card.JPG](#), downloaded 48 times

#### 4 EDS Connection Setup



2) [Paris 3 card.jpg](#), downloaded 51 times

### 3 EDS Connection Setup

