
Subject: Wiring a 3rd EDS

Posted by [portscan](#) on Fri, 19 Apr 2013 13:44:45 GMT

[View Forum Message](#) <> [Reply to Message](#)

Hi

Just got a virtuavia and have a spare eds I'm willing to add to my setup.
atm it's 2 eds and 2 mecs.

I couldn't find how to wire the 3 eds to eachother.

Anyone would be kind enough to tell me how to do so ?

Thanks in advance.

Subject: Re: Wiring a 3rd EDS

Posted by [imajon](#) on Mon, 06 May 2013 05:27:28 GMT

[View Forum Message](#) <> [Reply to Message](#)

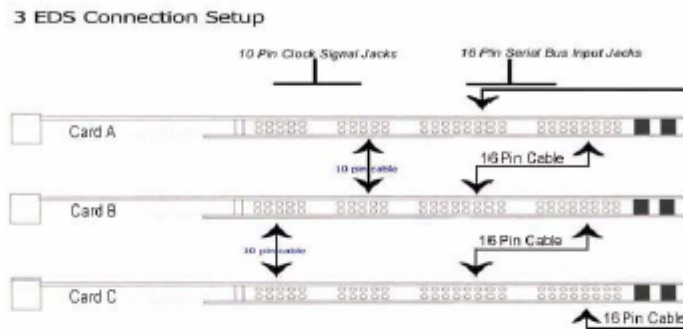
.png file from Mac

Let me know if it doesn't display for you

File Attachments

1) [Screen Shot 2013-05-06 at 12.26.10 AM.png](#), downloaded 132 times

3. If PARIS didn't launch, turn off power. Repeat step 2 with the MEC plugged into another card until PARIS launches. Use a written label to identify this card as "A".
4. If you have more than two cards, it's a good idea to label all your cards for future reference. In the Project, Settings, Configuration menu, select Card B as the Master Card, then quit PARIS.
5. Repeat step 2 above to find Card B. Card A is already identified and so can be eliminated from the list.
6. When you have all your EDS-1000 cards labelled, you're finished.

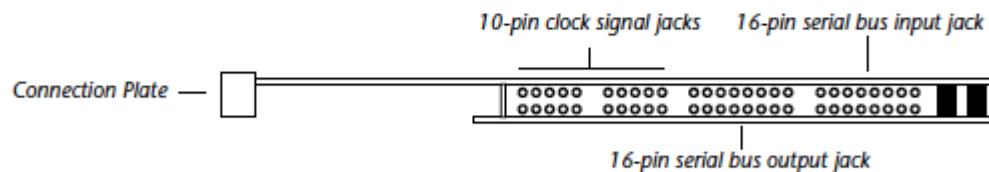


Example Cable Connection for 3 EDS-1000 Cards

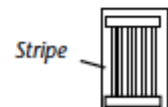
Interconnecting EDS-1000 Cards

Once you've installed your EDS-1000 cards, you must interconnect them using the supplied 10-pin and 16-pin ribbon connectors. Two types of connections must be made:

- Clock signal must pass from Card A to each successive card in a daisy-chain, flowing from one card to another. This provides synchronization for all audio in a Project.
 - A serial bus loop including all installed EDS-1000 cards must be created to provide inter-card serial communication.
1. Orient your view so that the back of your computer—the side containing its connection jacks—is to your left. The following illustration shows the jacks you'll be using on each installed EDS-1000 card.



2. Connect one end of the 10-pin ribbon cable to either clock signal jack on Card A so that the cable's stripe is to your left.
3. Connect the other end of the ribbon connector to either clock signal jack of Card B, making sure that the cable's stripe is again to the left.
4. Repeat Steps 1 and 2 for each additional card, connecting a clock signal jack from each card to the next-higher card.
5. Connect one end of a 16-pin ribbon connector to the serial bus output jack on Card A with the cable's stripe to the left.
6. Connect the other end of the ribbon connector to the serial bus input jack on Card B, making sure that the cable's stripe is again to the left.



Subject: Re: Wiring a 3rd EDS
Posted by [portscan](#) on Wed, 15 May 2013 23:33:54 GMT
[View Forum Message](#) <> [Reply to Message](#)

Thanks so much it's perfect !
